



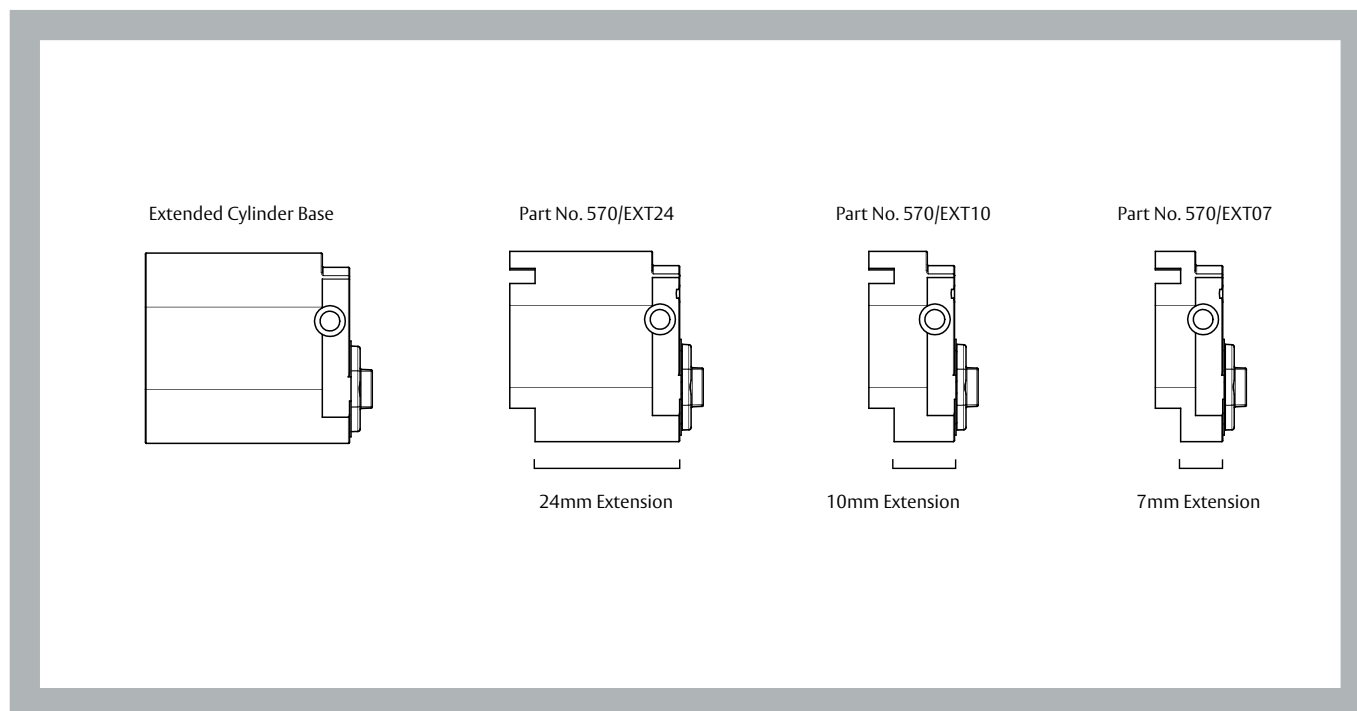
Modular Cylinder Extensions



ASSA ABLOY

ASSA ABLOY, the global leader
in door opening solutions

Modular Cylinder Extensions



Lockwood's new Modular Cylinder Extensions provide a simple and effective method of producing an extended cylinder. The onsite flexibility of this solution will save both time and money in all applications where extended cylinders are required.

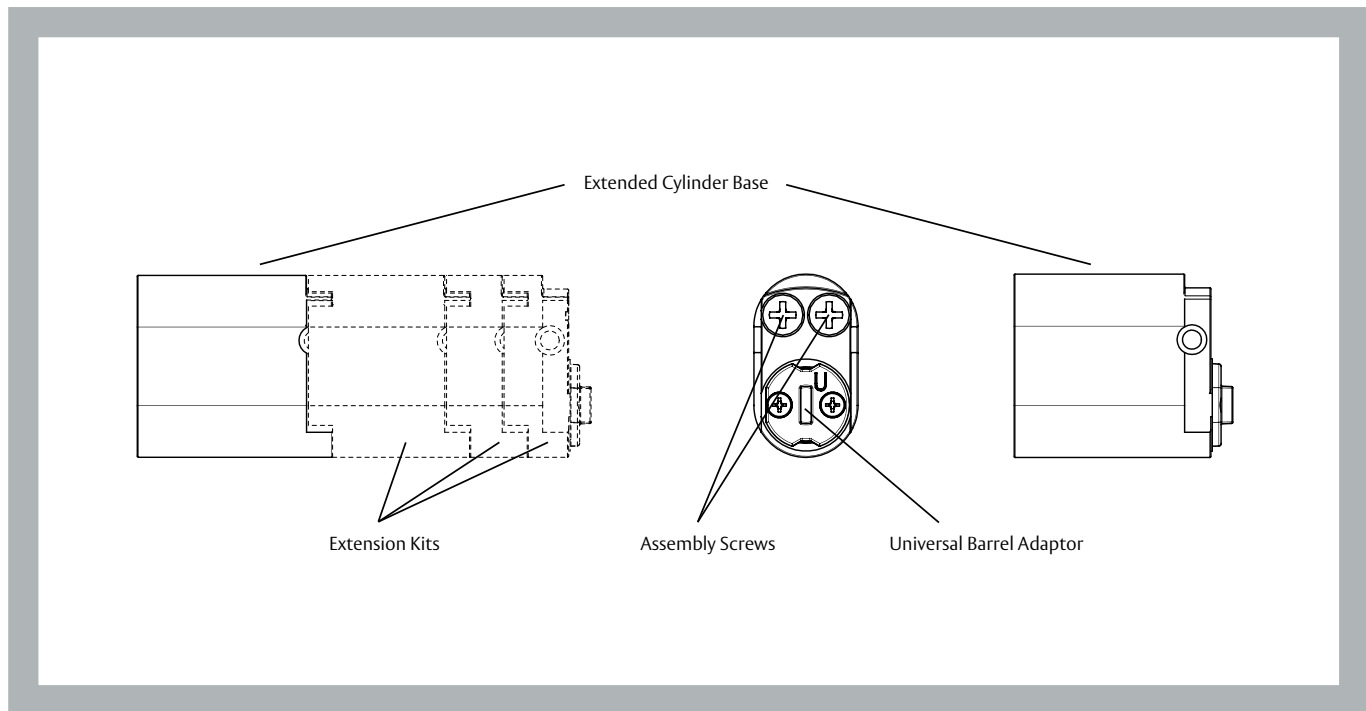
Extended cylinders are often required where a door thickness of 50mm or greater, or when the mortice lock is mounted off centre in the door. The extra length in the cylinder is required to bring the face of the cylinder out from the door and escutcheon to enable use of the key.

Virtually any length cylinder can be made by stacking as many or as few extension pieces as required together and screwing them into the back of a special extended cylinder base.

The desired cam required for the special lock function is attached to the end of the extended cylinder and then it is ready for installation.

***Patent Pending**

Modular Cylinder Extensions



Cylinder

A special extended base cylinder is required as it has two tapped holes in the back of the cylinder to accept the assembly screws to retain the extension kits. These cylinders use the standard 570 type barrel. These extended base cylinders are available in standard, Lockwood Twin® and Lockwood MT5+® Keying Systems and come with a universal barrel adaptor to drive the barrel extensions found in the extension kits.

Extension Kits

There are three different size extension kits that can be mixed and matched with the extended cylinder base to make up the desired length cylinder. They come in 7mm, 10mm and 24mm sizes. Each kit comes complete with the cylinder extension, barrel extension and universal barrel adaptor screwed to the barrel extension. Once the cylinder is assembled the rear barrel adaptor is removed and the standard locking cam (X, Z, Y, etc.) is fitted to operate the mortice lock.

Assembly Screws

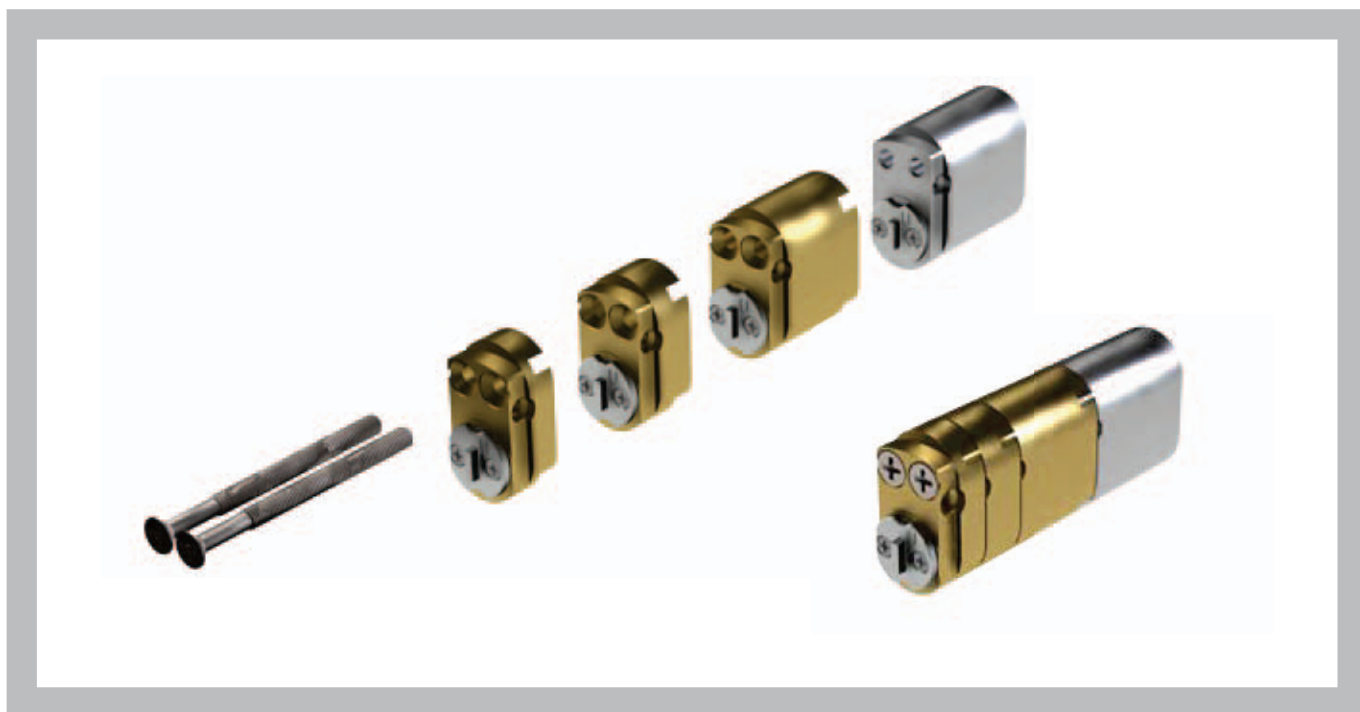
There are four lengths of assembly screws that are available to hold the extension kit/s to the extended base cylinder, depending on the overall length required.

How to Order

You will need to order the extended base cylinder (in the required keying system), the extension kit or kits needed to make up the cylinder length and the assembly screws to hold the extension kits to the extended base cylinder. The end cam will then need to be changed for the required cam needed for the function of the mortice lock.

Two standard length cylinder assemblies are available for keyed systems - 50mm & 65mm. These come fully keyed and assembled. See back page for details and item numbers.

Modular Cylinder Extensions



Cylinders

Cylinder housings are required to have 2 tapped holes in the back to accept the fixings screws. Cylinders are available for purchase using the following part numbers:

Part Number	Unassembled product (locksmith use)
570E/SCBK	Extended Base Cylinder with Barrel Adaptor, supplied less barrel (barrel to be order seperatly)
570E/T1SCBK	Extended Base Cylinder Twin with Barrel Adaptor, supplied less barrel. (barrel to be order seperatly)

NB570EMT5+SC Extended Base Cylinder with MT5 Barrel Adaptor, supplied less barrel (barrel to be oprder seperatly)

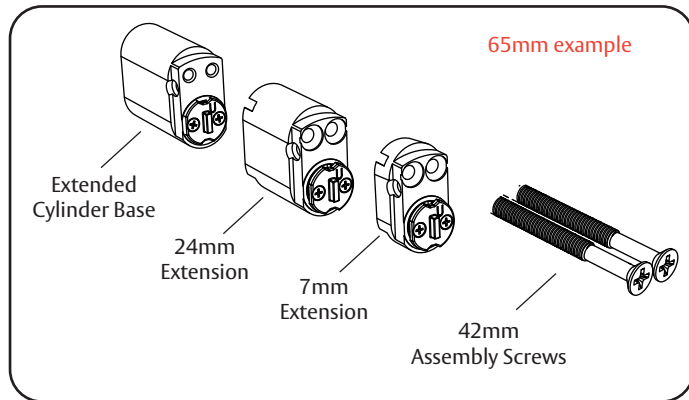
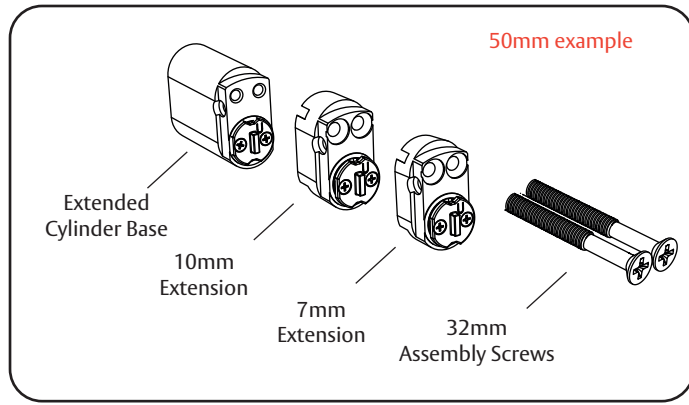
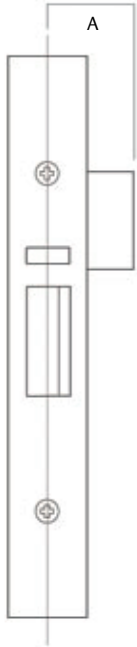
Extension Kits

Part Number	Pack Size	
570/EXT07	5	7mm extension kit
570/EXT10	5	10mm extension kit
570/EXT24	5	24mm extension kit

Assembly Screws

Part Number	Pack Size	Length (B)	Min – Max Extension (mm) If screw uncut
SRWM4-32SS	10	32	7 – 24
SRWM4-42SS	10	42	14 – 36
SRWM4-65SS	10	65	37 – 58
SRWM4-75SS	10	75	47 – 68

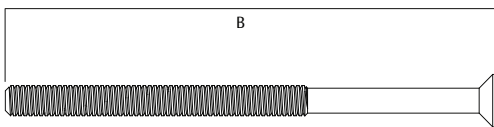
Modular Cylinder Extensions



An extension guide is included to show the parts required for a particular length:

Overall cylinder length required	Cylinder projection (A)	Door thickness	Extended base cylinder	7mm extension kit	10mm extension kit	24mm extension kit	32mm assembly screw	42mm assembly screw	65mm assembly screw
34	36	35	49						
Standard Mortice Cylinder									
41	43	49	63	1	1		2		
50	53	63	83	1	1	1	2		
61	63	83	103	1	1			2	
65	67	93	98	1	1	1		2	
72	74	103	123	1	2	1			2
82	84	123	143	1			2		2
92	94	143	163	1	1	2			2

Screws



Screws are available in 4 sizes which can be cut and deburred to the desired length.

Assembled Cylinders

Part Number	Assembled product Standard
570E/SC	Extended Base Cylinder with "U" cam "C4" profile, keyed to differ with 2 keys
570E/50USC	50mm Extended Cylinder assembly with "U" cam to suit Pentagon mortice lock. "C4" profile, keyed to differ with 2 keys
570E/65USC	65mm Extended Cylinder assembly with "U" cam to suit Pentagon mortice lock. "C4" profile, keyed to differ with 2 keys

Part Number	Assembled product Generation Six
570EG6/SC	Extended Base Cylinder with "U" cam. Generation Six restricted profile, no keys
570EG6/50USC	50mm Extended Cylinder assembly with "U" cam to suit Pentagon mortice lock. Generation Six restricted profile, no keys
570EG6/65USC	65mm Extended Cylinder assembly with "U" cam to suit Pentagon mortice lock. Generation Six restricted profile, no keys

Part Number	Assembled product MT5+
570EMT5+/SC	Extended Base Cylinder with "U" cam. MT5+ restricted profile, no keys
570EMT5+/50USC	50mm Extended Cylinder assembly with "U" cam to suit Pentagon mortice lock. MT5+ restricted profile, no keys
570EMT5+/65USC	65mm Extended Cylinder assembly with "U" cam to suit Pentagon mortice lock. MT5+ restricted profile, no keys

Part Number	Assembled product TWIN
570E/T1UOEMDPSC	Extended Base Cylinder with "U" cam. Twin restricted profile, no keys
570ET1UO50MDPSC	50mm Extended Cylinder assembly with "U" cam to suit Pentagon mortice lock Twin restricted profile, no keys
570ET1UO65MDPSC	65mm Extended Cylinder assembly with "U" cam to suit Pentagon mortice lock. Twin restricted profile, no keys

Note:

For other cylinder cam variants the end "U" cam can be removed and the required cam fitted. These additional cams are to be ordered seperatly.

ASSA ABLOY is the global leader in door opening solutions, dedicated to satisfying end-user needs for security, safety and convenience



ASSA ABLOY



Lockwood is the leading brand in the Australian locking industry. With an established reputation for high quality products, this iconic brand provides a wide range of locking solutions to residential housing, commercial building and industrial application markets. Lockwood is supported by an extensive distribution and after-sales support network. Our customers include retailers, architects, trade and industrial personnel, locksmiths and security dealers.

ASSA ABLOY

ASSA ABLOY is the global leader in door opening solutions, dedicated to satisfying end-user needs for security, safety and convenience.

ASSA ABLOY is represented in all major regions, in both mature and emerging markets, with leading positions in Australia, Europe and North America.

As the world's leading lock group, ASSA ABLOY offers a more complete product range of door opening solutions than any other company in the market.

Australia
1300 LOCK UP (1300 562 587)
lockweb.com.au

New Zealand
Telephone +64 9415 7111
assaabloy.co.nz

ASSA ABLOY Australia Pty Ltd
235 Huntingdale Road
Oakleigh, Victoria, 3166
Australia

info.au@assaabloy.com
assaabloy.com.au

ASSA ABLOY New Zealand Ltd
6 Armstrong Road
Albany, North Shore City, 0632
New Zealand

info.nz@assaabloy.com
assaabloy.co.nz

Disclaimer

Whilst every effort has been made to ensure that the information contained in this brochure is accurate at the time of publication, ASSA ABLOY Australia Pty Limited ("ASSA ABLOY") recommends that you consult ASSA ABLOY or its agents prior to placing an order to ascertain current information on specific products, as ASSA ABLOY reserves the right to make changes without notice. ASSA ABLOY will not be liable for any injury, loss or damage whatsoever, arising from any errors or omissions in the information contained in the brochure or arising from the use or application of the information contained herein.

