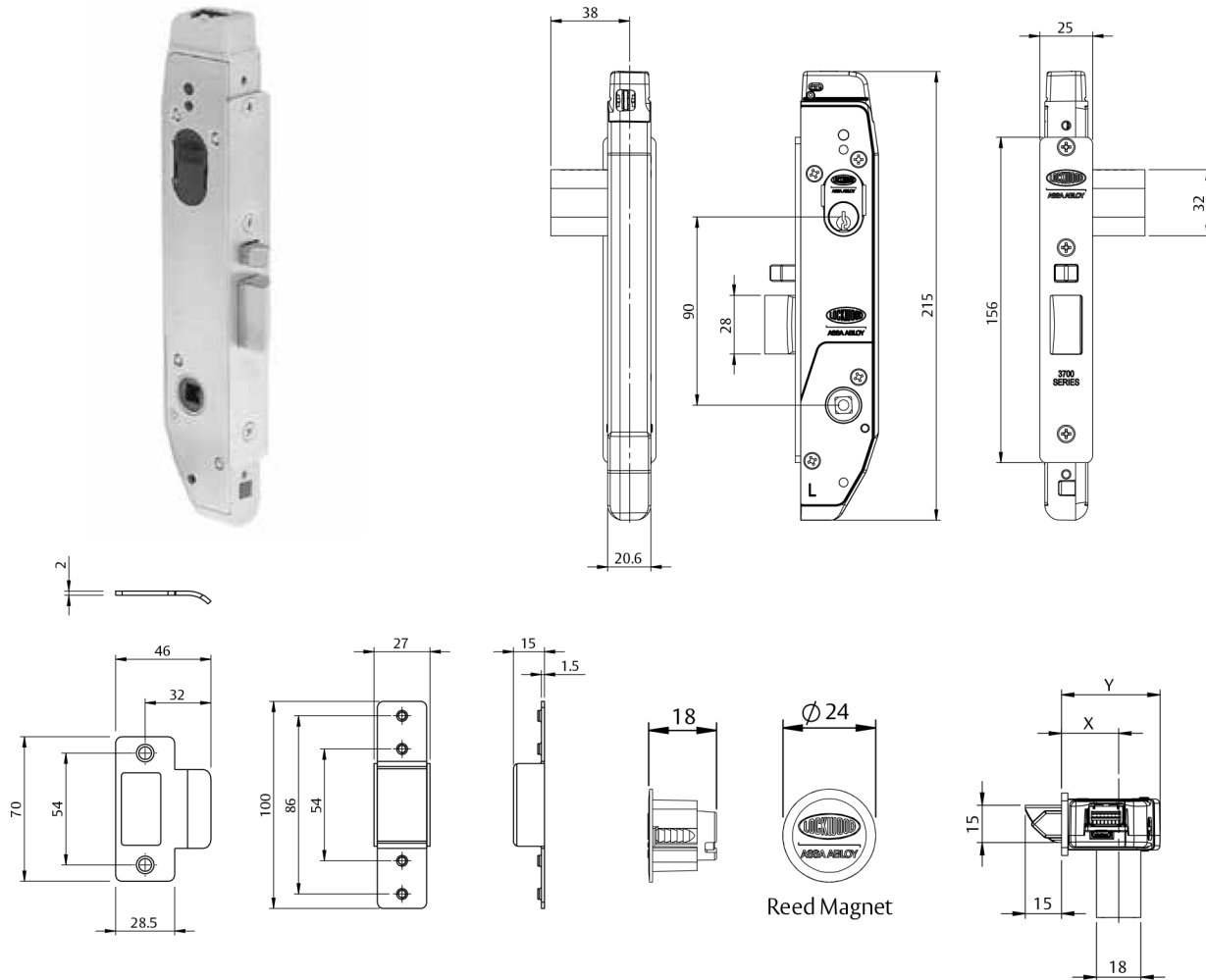


Selector® 3782EL Short Backset Electric Mortice Locks



Ordering Information

Part Number	Product Description
3782ELSS	3782EL 12-24VDC ELECTRIC MORTICE PRIMARY LOCK 23MM BACKSET
4782ELSS	4782EL 12-24VDC ELECTRIC MORTICE PRIMARY LOCK 25.4MM BACKSET
5782ELSS	5782EL 12-24VDC ELECTRIC MORTICE PRIMARY LOCK 30MM BACKSET
6782ELSS	6782EL 12-24VDC ELECTRIC MORTICE PRIMARY LOCK 38MM BACKSET

Limiting Dimensions

Dimensions	Backset			
X	23	25.4	30	38
Y	40	42.4	47	55

Specification Statement

The lock should be capable of operation on voltages of 9-28VDC and have a current consumption not more than 300mA (max). Locks should have selectable on-board LEDs and must be capable of monitoring the following functions: key override, door position/reed switch, request to exit, and locking bar status. All monitoring outputs must have the ability to be wired independently. All settings - including power to lock/power to open, handing, hub selection must be field configurable.