

8653 Sliding Security Screen Door Lock



The Lockwood 8653 Sliding Door Lock incorporates Lockwood's advanced safety and security features, DualSelect® and LockAlert® the 8653 Sliding Security Door Lock is ideal for use in residential applications.

Application

Single or multi point mortice sliding security door lock available in high strength (3 point) and standard versions. A snib only mortice lockset is also available.

Product Details

Latch	Self latching with stainless steel parrot beak deadlatch
Description	Large ergonomically improved snib to assist with operation
Dimensions	Suits standard 20mm door thickness
Handing	Suits left or right handed sliding screen doors
Finishes	Black (BLK) Primrose (PRM) White (WH) Polyester Powdercoat (PPC)

Note: Safety mode: (Privacy-lock / Snibbed) Secure mode: (Deadlock). Snib only version also available. No snib version also available. Optional 3 point kits available for premium security. When 3 point kit is fitted, snib activates/operates all 3 locking points

Standards and Compliance

S7 High security for maximum protection Australian Standard (AS4145.2:2008).

D8 High durability for maximum frequency usage Australian Standard (AS4145.2:2008).

Successfully tested on security screen doors in accordance with Australian Standard (AS 5039-2008): Security Screen Doors and Security Window Grilles.

Australian Standard (AS 5041-2003): Methods of Test.

8653 Sliding Security Screen Door Lock

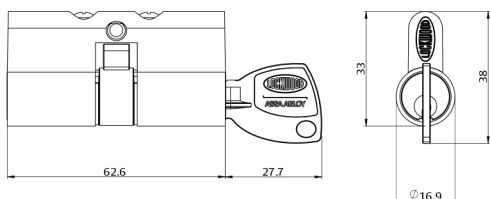
Features and Specifications

- 2 stage key locking, offers safety and security for all occupants by giving a choice of selecting privacy lock or deadlock when exiting the home
- Turning the key to the first selection engages the privacy lock, this offers security from the outside whilst allowing occupants inside to safely exit using the internal lever
- Turning the key to the second selection engages the deadlock, this provides internal and external security, and requires the key to unlock the door from inside and outside
- Zinc diecast lock mechanism and furniture
- Easy installation for both new and retrofit applications
- Accepts Lockwood Euro profile lazy cam cylinder
- Available in display and trade packs

Keying

- Use with Lockwood Euro profile lazy cam cylinder
- 2 x 5 pin cylinder
- Can be keyed alike to other Lockwood door and window products.

Note: For more Keying options refer back to page 8 of this catalogue



Single Point Locksets

Part Number	Finish	Description
8653BLK	Black	Single point lockset no cylinder
8653PRM	Primrose	Single point lockset no cylinder
8653WH	White	Single point lockset no cylinder
8653PPC	Various	Single point lockset no cylinder
8653BLKDP	Black	Single point lockset with cylinder (Display Pack)
8653BLKSO	Black	Single point snib only lockset

Note: Complete Lockset includes furniture, snibs, strike, installation instructions and screw packs.

Multi Point Kits

Part Number	Finish	Description
8653-3PK	n/a	Standard 3 point kit
8653-3PK/RF	n/a	Retro Fit 3 point kit
8653-3PK/SR	n/a	Short Rod 3 point kit

Accessories / Spare Parts

Part Number	Finish	Description
SP8653-53	Stainless Steel	8653 High Strength Strike (SS)
SP8653-63	N/A	8653 Retrofit 3pt Connecting Rod Set
SP8653-64	Stainless Steel	8653 Extra Thick High Strength Strike (SS)
8653DUMBLK	Black	8653 Dummy handle set

Cylinders

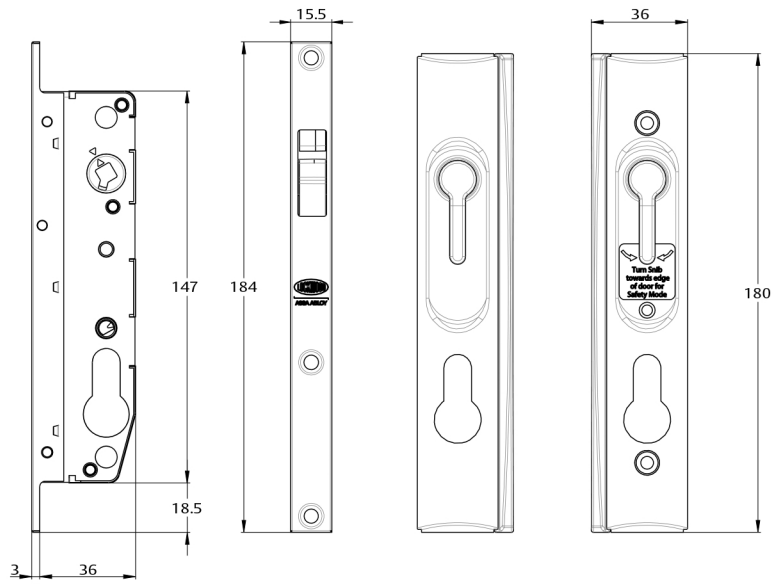
Part Number	Finish	Description
8650-2CP	Chrome Plate	Anti Drill Euro Lazy Cam cylinder w/ Kinetic Defence
8650-2CP-T	Chrome Plate	Anti Drill Euro Lazy Cam cylinder w/ Non Handed turn knob

8653 Sliding Security Screen Door Lock

8653BLK



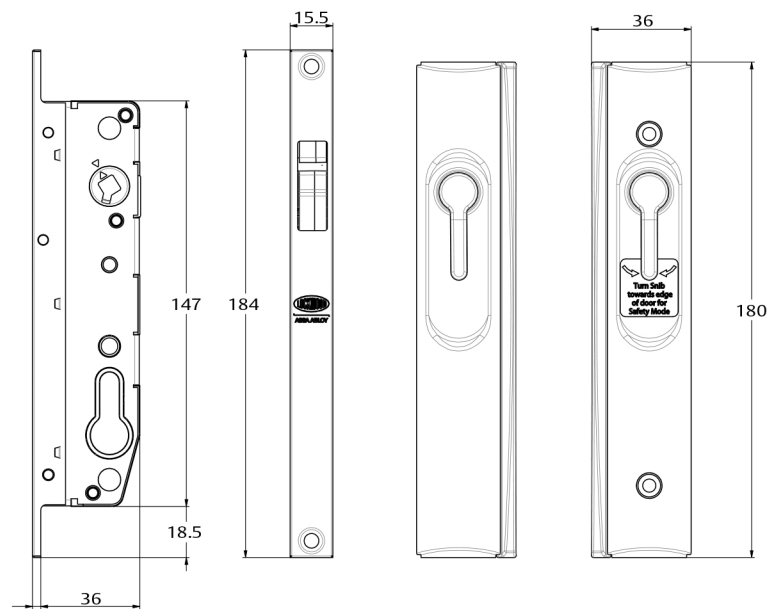
Interior



8653BLKSO



Interior

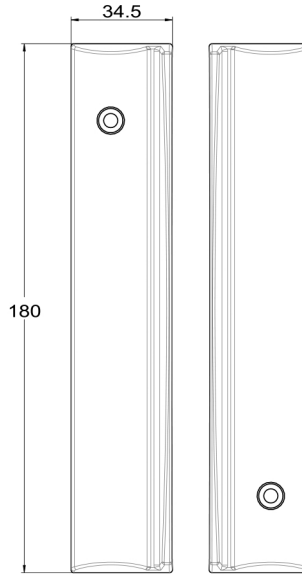


8653 Sliding Security Screen Door Lock

8653DUMBLK



Interior



Note: Supplied as a pair.



Kinetic Defence®
Bump and pick resistant.



DualSelect®
Turn the key for safety mode. Turn the key further to select secure mode.



LockAlert™
Interior Indicator shows lock status at a glance.



Safety Mode
Securely locked from outside and free from inside.



Secure Mode
Securely locked from both inside and outside. For when nobody is home.



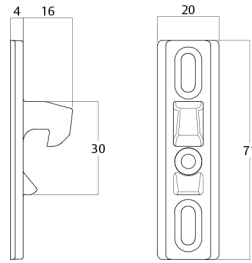
Passage Mode
Free to enter from outside and free to exit from inside.

8653 Sliding Security Screen Door Lock

Standard Strike (Zinc)

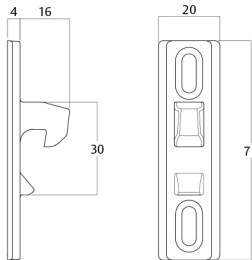
Part Number N/A

Note: Comes standard in all 8653 lock packs.



High Strength Strike (Stainless Steel)

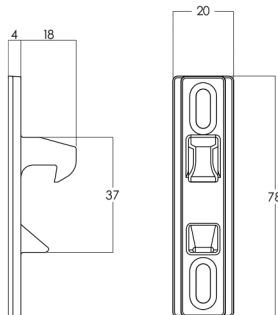
Part Number SP8653-53



Auxiliary Strike/3 Point (Stainless Steel)

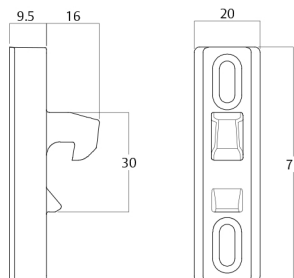
Part Number N/A

Note: Comes standard in 8653-3PK.



8653 Extra Thick High Strength Strike (Stainless Steel)

Part Number SP8653-64

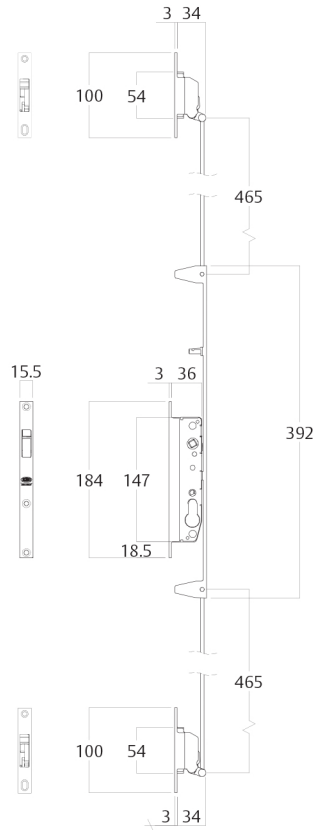


8653 Sliding Security Screen Door Lock

8653 - 3 Point Kits

Part Number 8653-3PK/SR

Short Rod set - 3 point locking kit for premium security.

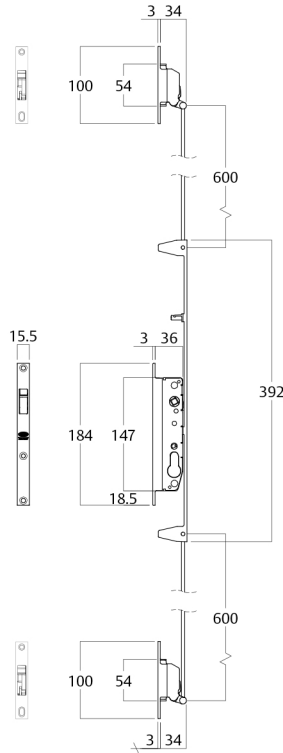


8653 Sliding Security Screen Door Lock

8653 - 3 Point Kits

Part Number 8653-3PK

Standard 3 Point Locking kit for premium security.



8653 - 3 Point Kits

Part Number 8653-3PK/RF

Retrofit 3 Point Locking kit for premium security.

