



# Security Screen Door Hardware



We take the worry out of  
protecting what's valuable to you.  
Lockwood: *no worries*<sup>®</sup>

**LOCKWOOD**

**ASSA ABLOY**

**25YEAR** MECHANICAL WARRANTY

[www.lockweb.com.au](http://www.lockweb.com.au)

# 8654 Hinged Security Screen Door Lock



The Lockwood 8654 Hinge Security Door Lock has been designed in Australia and manufactured to stringent quality specifications. Incorporating Lockwood's advanced DualSelect®, safety and security feature, the 8654 Hinge Security Door Lock is ideal for use in residential applications.

## Application

Single or multi point mortice hinge security door lock available in high strength (3 point) and standard versions. Snib only and no snib mortice locksets are also available.



**Kinetic Defence®**  
Bump and pick resistant.



**DualSelect®**  
Turn the key for safety mode. Turn the key further to select secure mode.

## Product Details

<b>Bolt</b>	Stainless steel hookbolt for increased security
<b>Snib</b>	Large ergonomically improved snib to assist with operation
<b>Dimensions</b>	Suits standard 20mm door thickness
<b>Handing</b>	Suits left or right handed hinged screen doors
<b>Finishes</b>	Chrome Plate (CP) Satin Chrome Pearl (SP) Everbrass (Gold Plate) (EVB) Polyester Powdercoat (PPC) Black (BLK) Brown (BRN) Gold Spangle (GSP) Magnolia (MAG) Primrose (PRM) White (WH) White Birch (WHB) Silver (SIL) Doeskin (DS)
<b>Installation</b>	Fits industry standard cut outs/door preparation. Retrofits <b>Whitco Tasman Mk2</b> and <b>Mk3</b> Locks.
<b>Latch</b>	Self latching with stainless steel hook deadbolt for improved security performance
<b>Locking</b>	Key locking from both sides. Inside snib locking (with key override). Can only be locked when fully engaged with strike
<b>Plate</b>	Stainless Steel front end plates

**Note:** Safety mode: (Privacy-lock / Snibbed) Secure mode: (Deadlock). Snib only version also available. No snib version also available. Optional 3 point kits available for premium security. When 3 point kit is fitted, snib activates/operates all 3 locking points.

## Standards and Compliance

**S6**

High security for maximum protection Australian Standard (AS4145.2:2008)

**D7**

High durability for maximum frequency usage Australian Standard (AS4145.2:2008)

Successfully tested on security screen doors in accordance with Australian Standard (AS 5039-2008): Security Screen Doors and Security Window Grilles

Australian Standard (AS 5041-2003): Methods of Test

# 8654 Hinged Security Screen Door Lock

## Features and Specifications

- Dual Select® - 2 stage key locking, offers safety and security for all occupants by giving a choice of selecting safety mode or secure mode when exiting the home
- Turning the key to the first selection engages the safety lock, this offers security from the outside whilst allowing occupants inside to safely exit using the internal lever and snib
- Turning the key to the second selection engages the secure lock, this provides internal and external security, and requires the key to unlock the door from inside and outside
- Push on actuating bar suits above or below centreline applications
- Zinc diecast lock mechanism and furniture
- Easy installation for both new and retrofit applications
- Accepts Lockwood Euro profile lazy cam cylinder
- Available in trade packs only.

## Keying

- Use with Lockwood Euro profile lazy cam cylinder - with Kinetic Defence™ and Anti-Drill
- 2 x 5 pin cylinder with C4 Profile
- Can be keyed alike to other Lockwood C4 door and window products

## Accessories

A wide range of Accessories and Spare Parts are available to support the 8654 Hinged Door range.

See table opposite for part numbers and also further technical info on following pages.

## Polyester Powdercoat Finishes

Part Number	Finish	Description
8654BLK	Black	Single point lockset no cylinder
8654BRN	Brown	Single point lockset no cylinder
8654GSP	Gold Spangle	Single point lockset no cylinder
8654MAG	Magnolia	Single point lockset no cylinder
8654PRM	Primrose	Single point lockset no cylinder
8654STB	Stone Beige	Single point lockset no cylinder
8654WH	White	Single point lockset no cylinder
8654WHB	White Birch	Single point lockset no cylinder
8654DS	Doeskin	Single point lockset no cylinder
8654SIL	Silver	Single point lockset no cylinder
8654PPC	Various	Single point lockset no cylinder
8654NSBLK	Black	Single point lockset no cylinder, no snib
8654EWSBLK	Black	Single point lockset no cylinder, extra wide strike
8654SOBLK	Black	Single point lockset snib only

## Plated Finishes

Part Number	Finish	Description
8654CP	Chrome Plate	Single point lockset no cylinder
8654EVB	Everbrass (Gold Plate)	Single point lockset no cylinder
8654SP	Satin Chrome Pearl	Single point lockset no cylinder

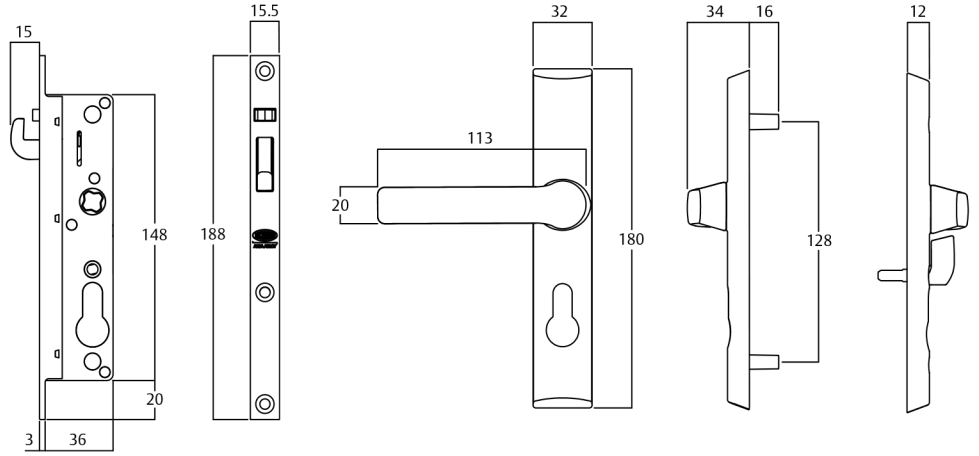
**Note:** Complete lockset includes furniture, snib, strike, installation instructions and screw packs.

# 8654 Hinged Security Screen Door Lock

## 8654BLK



Interior



## 8654SOBLK



Interior

