

Flush Bolts

Product Details

Material	Brass
Packaging	Display Pack & Trade Pack
Bolt Action	Toggle
Application	Timber Doors
Finish	Satin Chrome Plate (SC), Chrome Plate (CP)
Bolt Diameter	10mm

The Lockwood range of flush bolts are manufactured from premium brass material and are designed for use in timber door applications to secure the inactive leaf of a set of double doors.

Recessed into the edge of the door and completely hidden when the doors are in the closed position, the flush bolt range is available in a variety of lengths and supplied in either SC or CP finishes.

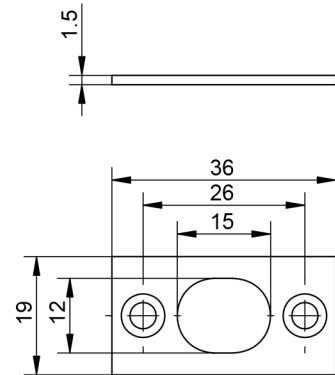
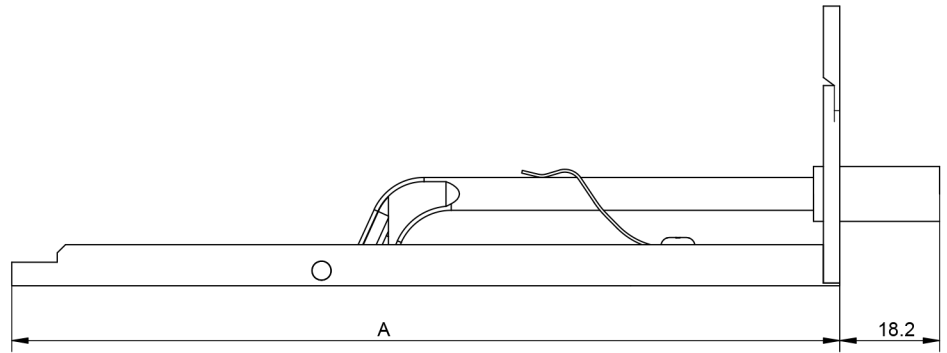
The new 19mm narrow profile will suit new and retrofit applications.

Maximum projection of the bolt is 18mm, actuated by a steel connecting rod assembly.



Flush Bolts

Part Number	A Dimension
FB100	100mm
FB150	150mm
FB200	200mm
FB300	300mm
FB450	450mm
FB600	600mm



Flush Bolts

Item Number	Description	Length	Finish	Packaging
FB100CP	Flush Bolt	100mm	Chrome Plate	Trade Pack
FB100SC	Flush Bolt	100mm	Satin Chrome	Trade Pack
FB100CPDP	Flush Bolt	100mm	Chrome Plate	Display Pack
FB100SCDP	Flush Bolt	100mm	Satin Chrome	Display Pack
FB150CP	Flush Bolt	150mm	Chrome Plate	Trade Pack
FB150SC	Flush Bolt	150mm	Satin Chrome	Trade Pack
FB150CPDP	Flush Bolt	150mm	Chrome Plate	Display Pack
FB150SCDP	Flush Bolt	150mm	Satin Chrome	Display Pack
FB200SC	Flush Bolt	200mm	Satin Chrome	Trade Pack
FB200SCDP	Flush Bolt	200mm	Satin Chrome	Display Pack
FB300SC	Flush Bolt	300mm	Satin Chrome	Trade Pack
FB450SC	Flush Bolt	450mm	Satin Chrome	Trade Pack
FB600SC	Flush Bolt	600mm	Satin Chrome	Trade Pack