

# Euro Profile Mortise Locks



 **accesshardware** | BUSINESS REWARDS 

We take the worry out of  
protecting what's valuable to you.  
Lockwood: *no worries*<sup>®</sup>

**LOCKWOOD**

**ASSA ABLOY**

**25YEAR** MECHANICAL WARRANTY

[www.lockweb.com.au](http://www.lockweb.com.au)

# Contents



## Optimum Hinged Door

Multi-Point Locks

page 3



## Optimum Hinged Door

Roller Bolt Mortice Locks

page 5



## Optimum Sliding Door

Mortice Locks

page 7



## Pinnacle Bi-Fold

Mortice Lock

page 13



## Cylinder

Euro Profile Fixed Cam

page 15

# Optimum Hinged Door Multi-Point Locks



## Description

The Lockwood Optimum Mortice Lock range is easy to install and is available to suit hinged residential aluminium and timber door applications.

## Features and Specifications

- Easily reversible radiused latch bolt enables field selectable handing
- Durable mechanism and stainless steel faceplate
- Accepts either 7.6mm or 8mm spindle
- Latch can be deadlocked by key
- Short throw (13mm) and Long throw (24mm) locking bolt options available
- Provides multi-point locking when used with shootbolts or remote locks (4 Point)
- Latch only version available (1 Point)
- 30mm and 40mm backset variants available in 4 Point version
- Door thickness: 32mm to 45mm
- Lock Status Indication available when used with Palladium Xtra furniture. (Not available with 1 Point lock).

## Product Details

### Furniture Options

The Optimum range of locks is compatible with a range of lever on long plate furniture including Palladium and Palladium Xtra. Palladium Xtra furniture is required in order to use the Lock Status indicator.

### Keying

Compatible with 5 pin or 6 pin fixed cam Euro profile cylinders. Cylinders must be ordered separately.

### Standard Finishes

Brushed stainless steel faceplate supplied

- A range of strikes are available to provide optimal seal compression (strikes must be ordered separately)
- Bevelled latch bolt options available

## Lock Status Indicators

### Passage Mode

Passage mode gives convenient access from inside and outside without the need for a key.

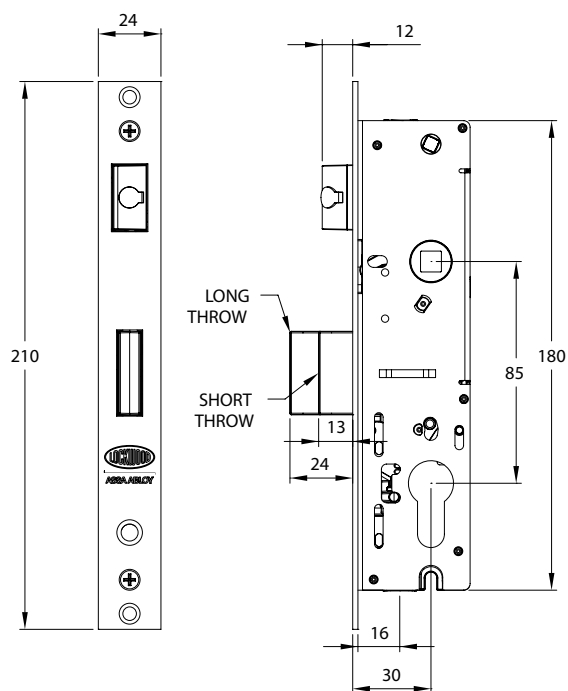
### Safety Mode

Safety mode is activated and deactivated by operating the snib lever from inside and requires the key to unlock from outside.

### Secure Mode

Handles locked securely from both inside and outside and requires key to unlock from either side.

# Optimum Hinged Door Multi-Point Locks



## Optimum Hinged Door Multi-Point Locks

Part Number	Description
OP30/1LAN/SS	Optimum 1PT Hinged 30mm Backset
OP30/2PTL/SS	Optimum 2PT Hinged 24mm bolt 30mm Backset
OP30/2PTS/SS	Optimum 2PT Hinged 13mm bolt 30mm Backset
OP30/2PTS/SSBL	Optimum 2PT Hinged Bevel bolt 30mm Backset
OP30/4PTS/SSBL	Optimum 4PT Hinged Bevel bolt 30mm Backset
OP30/4RML/SS	Optimum 4PT Hinged Remotes 24mm Bolt 30mm Backset
OP30/4RMS/SS	Optimum 4PT Hinged Remotes 13mm Bolt 30mm Backset
OP30/4SBL/SS	Optimum 4PT Hinged Shoot Bolt 24mm Bolt 30mm Backset
OP30/4SBS/SS	Optimum 4PT Hinged Shoot Bolt 13mm Bolt 30mm Backset
OP40/2PTL/SS	Optimum 2PT Hinged 24mm Bolt 40mm Backset
OP40/4SBS/SS	Optimum 4PT Hinged Shoot Bolt 13mm Bolt 40mm Backset
OP50/2PTL/SS	Optimum 2PT Hinged 24mm Bolt 50mm Backset

\* Strike plates are not included in lock pack and must be ordered separately.

# Optimum Hinged Door Roller Bolt Mortice Locks



## Description

The Lockwood Optimum Roller Bolt Mortice Lock is designed to suit a wide range of door sizes for both timber and aluminium residential doors. The design allows for optimal latch adjustment and provides positive latching.

## Features and Specifications

- Adjustable latch projection from faceplate
- Adjustable latching strength from faceplate
- Durable mechanism and stainless steel faceplate
- 40mm and 50mm backset variants available
- Door thickness: 32mm to 45mm
- Lock Status Indication available when used with Palladium Xtra cylinder escutcheons
- A range of strike kits are available to suit specification door applications (strikes must be ordered separately)

## Product Details

### Furniture Options

The Optimum Roller Bolt locks are compatible with most cylinder escutcheons that suit euro profile cylinders. Palladium Xtra escutcheons are required in order to use the lock status indicator.

### Keying

Compatible with 5 pin or 6 pin fixed cam Euro profile cylinders. Cylinders must be ordered separately.

### Standard Finishes

Brushed stainless steel faceplate supplied

## Lock Status Indicators

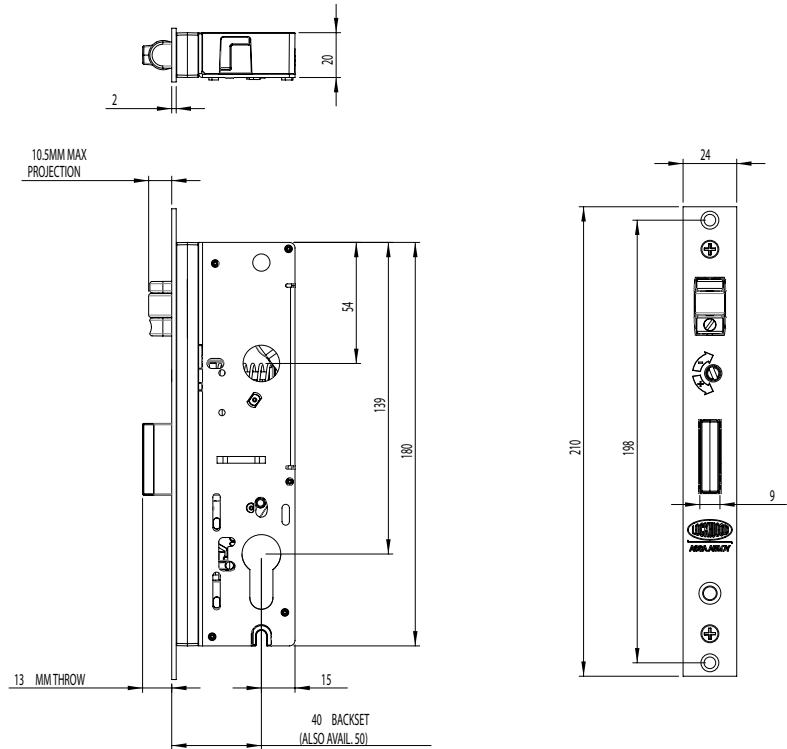
### Passage Mode

Passage mode gives convenient access from inside and outside without the need for a key.

### Secure Mode

Door locked securely from both inside and outside and requires the key to unlock from either side.

# Optimum Hinged Door Roller Bolt Mortice Locks



## Optimum Hinged Door Roller Bolt Mortice Locks

Part Number	Description
OP40/1RBS/SS	Optimum 1PT Roller Bolt Lock 40mm B/S
OP50/1RBS/SS	Optimum 1PT Roller Bolt Lock 50mm B/S

# Optimum Sliding Door Mortice Locks



## Description

The Lockwood Optimum Sliding Door Mortice Lock is designed to improve functionality in sliding door applications. Lock features the unique security of a single deadbolt with dual flyout beaks which prevent the door from being lifted.

## Features and Specifications

- Anti-lift deadbolt locking
- Anti-slam pin protection prevents accidental damage to the lock bolt
- Durable mechanism and stainless steel faceplate
- 30mm and 40mm backset variants available
- Door thickness: 32mm to 45mm
- Lock Status Indication available when used with Palladium Xtra cylinder escutcheons
- Fixed or adjustable strike options (strikes must be ordered separately)

## Product Details

### Furniture Options

The Lockwood Aria D handle is recommended for use with Optimum Sliding Door Lock. Palladium Xtra escutcheons are required in order to use the lock status indicator.

### Keying

Compatible with 5 pin or 6 pin fixed cam Euro profile cylinders. Cylinders must be ordered separately.

### Standard Finishes

Brushed stainless steel faceplate supplied

## Lock Status Indicators

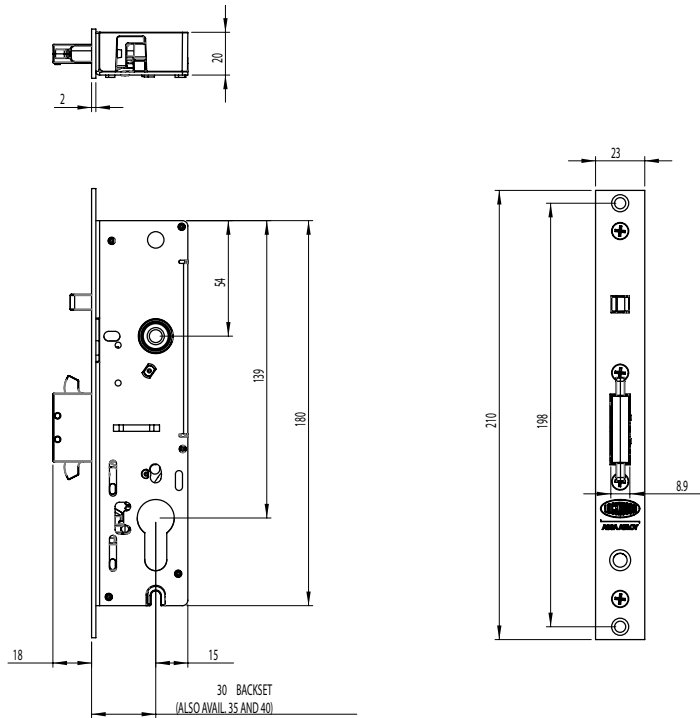
### Passage Mode

Passage mode gives convenient access from inside and outside without the need for a key.

### Secure Mode

Door locked securely from both inside and outside and requires the key to unlock from either side.

# Optimum Sliding Door Mortise Locks



## Optimum Sliding Door Mortise Locks

### Part Number Description

<b>OP30/1SDN/SS</b>	Optimum 1PT Sliding Door Lock 30mm B/S
<b>OP40/1SDN/SS</b>	Optimum 1PT Sliding Door Lock 40mm B/S
<b>OP30/3SDN/SS</b>	Optimum 3PT Sliding Door Lock 30mm B/S

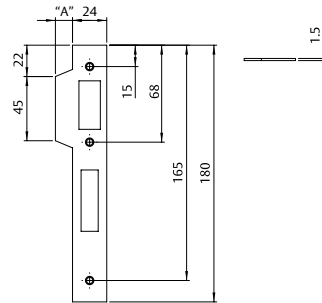


# Optimum Mortice Lock Accessories

## Standard / Extended Lip Hinged Door Strikes (reversible handing)

### Part Number      Dimensions "A"

OPS001SS	12mm
OPS002SS	43mm
OPS003SS	60mm



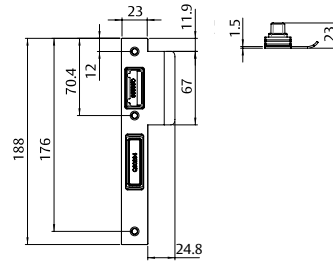
### Description

A strike box is available to suit these strikes (OPSBOX)

## Strike and Strike Box Kits

### Part Number      Handing

P3352CDLSS	Left Hand (shown)
P3352CDRSS	Right Hand



### Description

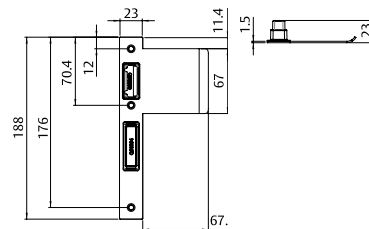
#### Timber Door Strike Kit

All kits include insert for roller bolt lock if required

## Strike and Strike Box Kits

### Part Number      Handing

P3352TCLSS	Left Hand (shown)
P3352TCRSS	Right Hand



### Description

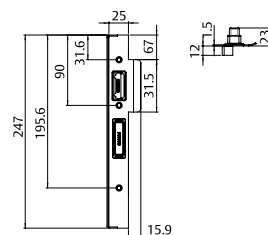
#### Timber Door Extended Strike Kit

All kits include insert for roller bolt lock if required

## Strike and Strike Box Kits

### Part Number      Handing

P3352TFLSS	Left Hand (shown)
P3352TFRSS	Right Hand



### Description

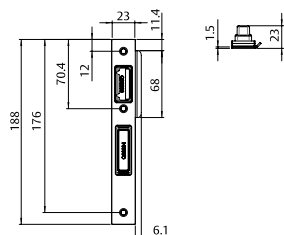
#### Timber Door Rebate Kit

All kits include insert for roller bolt lock if required

# Optimum Mortice Lock Accessories

## Strike and Strike Box Kits

Part Number	Handing
P3352AFLSS	Left Hand (shown)
P3352AFRSS	Right Hand



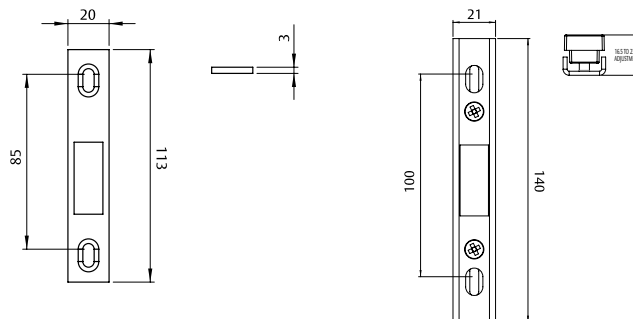
### Description

#### Aluminium French Door Kit

All kits include insert for roller bolt lock if required

## Sliding Door Strikes

Part Number	Type
P33600	Adjustable
PQ70188	Fixed



### Description

#### Sliding Door Strikes

# Optimum Mortise Lock Accessories

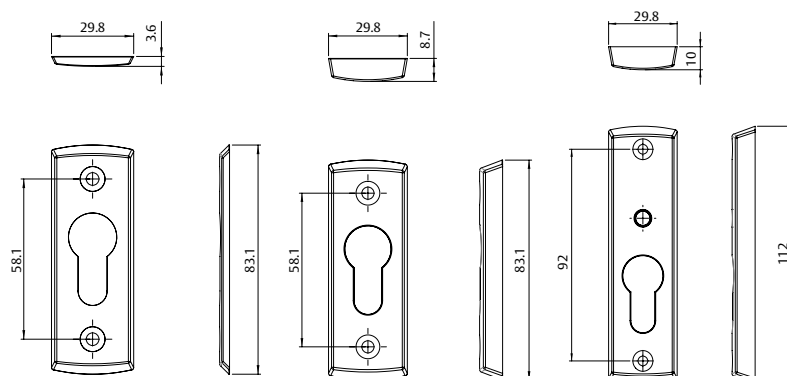
## Standard Finishes

Black	BLK
Satin Chrome Pearl	SP
Polyester Powder Coat	PPC

## Description

### Cylinder Escutcheons

Ideal for use with the Sliding Door and Roller Bolt Locks.



## Cylinder Escutcheons

### Part Number Description

PA2101	Palladium Low Profile Cylinder Escutcheon
PA2102	PPC Palladium High Profile Cylinder Escutcheon
PA2202	Palladium High Profile Cylinder Escutcheon Pair (x2)
PA2103	Palladium Xtra (Indicating) High Profile Cylinder Escutcheon

## Standard Finishes

Satin Chrome Pearl	SP
Polyester Powder Coat	PPC

## Description

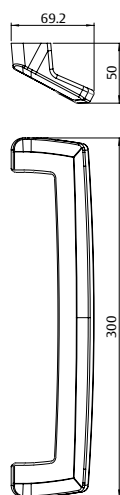
### Aria D Handle

Designed for use with the Optimum Sliding Door Locks, suits door thickness from 25-70mm.

## Aria D Handle

### Part Number Description

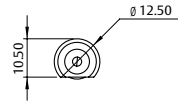
PH320/27	Aria D Handle Back to Back Set
PH321/27	Aria D Handle Internal Half Set



# Optimum Mortice Lock Accessories

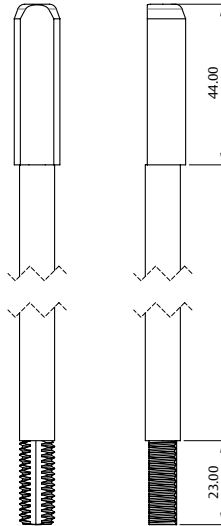
## Shoot Bolt Rods

**Part Number** P33096



### Description

For use with 4PT Hinged and 3PT Sliding Door Locks. Kit includes 1m and 1.3m rods, rod ends and tips.



## Multipoint Extension Kit

**Part Number** P84017

### Description

For use with 4PT Hinged and 3PT Sliding Door Locks on doors over 2.4m

# Pinnacle Bi-Fold Mortice Lock



## Description

The Pinnacle Mortice lock has been designed for use on bi-fold windows and doors. The Pinnacle lock combines security features with a practical design, fulfilling the needs created by architectural innovations within the residential market.

Suitable for use with aluminium windows and doors.

## Features and Specifications

- Provides 2 points of security from one motion
- Bolts throw 22mm for enhanced security
- Practical, easy installation
- Threaded rod connection provides easy adjustment
- Handle turns through 90 degrees from locked to unlocked
- Rods provided are 1m + 1.3m with a range of extensions and accessories available
- Bi-fold kits are available with a Uno or Aria styled bi-fold handles
- Non-locking faceplates available to convert locking locks to non-locking

## Product Details

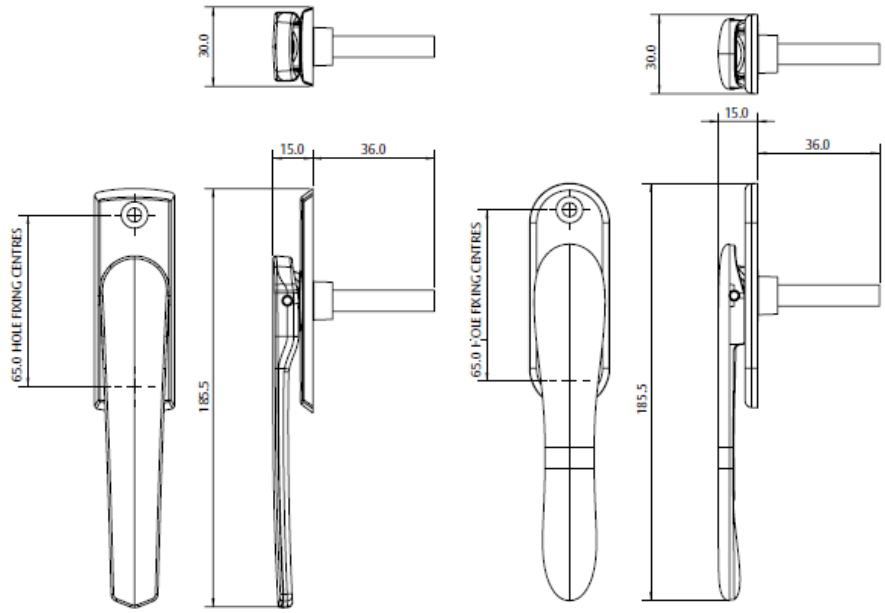
### Keying

Compatible with 5 pin or 6 pin fixed cam Euro profile cylinders. Cylinders must be ordered separately.

### Standard Finishes

Brushed stainless steel faceplate supplied  
Kits are available in black (**BLK**) and satin chrome pearl (**SP**)

# Pinnacle Bi-Fold Mortice Lock



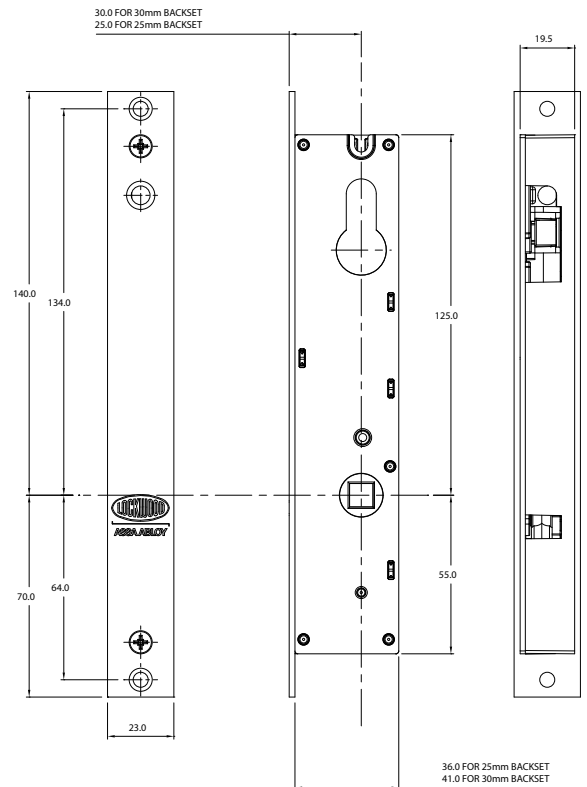
Aria Style Bi-fold Handle

Uno Style Bi-fold Handle

## Pinnacle Bi-Fold Mortice Locks

Part Number	Description
PBE201/1/27*	Pinnacle Bi-Fold Lock Kit Aria 25mm Backset
PBE201/2/27*	Pinnacle Bi-Fold Lock Kit Aria 25mm Backset - Double Handle and Escutcheon
PBE311/1/27*	Pinnacle Bi-Fold Lock Kit Aria 30mm Backset
PBE311/2/27*	Pinnacle Bi-Fold Lock Kit Aria 30mm Backset - Double Handle and Escutcheon
UB201/1/*	Pinnacle Bi-Fold Lock Kit Uno 25mm Backset
UB201/2/*	Pinnacle Bi-Fold Lock Kit Uno 25mm Backset - Double Handle and Escutcheon
UB311/1/*	Pinnacle Bi-Fold Lock Kit Uno 30mm Backset
UB311/2/*	Pinnacle Bi-Fold Lock Kit Uno 30mm Backset - Double Handle and Escutcheon
PS25/2PTN/SS	Pinnacle Bi-Fold Lock Only 25mm Backset Lock Body
PI30/2PTN/SS	Pinnacle Bi-Fold Lock Only 30mm Backset Lock Body

\* Denotes finish code



# Cylinder - Euro Profile Fixed Cam



## Description/Application

Cylinder to suit Lockwood Optimum Mortice Lockset.

## Features and Specifications

- 6 pin, C4 key profile, fixed cam cylinders, designed to suit a range of applications
- Solid brass/zinc diecast construction

## Product Details

<b>Finishes</b>	Chrome Plate (CP)
-----------------	-------------------

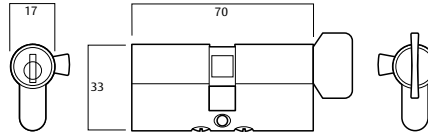
**Note:** Non standard finishes are unavailable.

# Cylinder - Euro Profile Fixed Cam

## Cylinder and Turnknob - Fixed Cam

Part Number	Finishes	Packaging
9555-202CP	Chrome Plate	Trade Pack

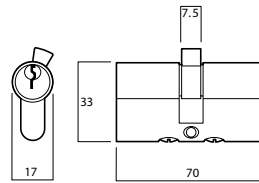
**Note:** Available in Trade only.



## Double Cylinder - Fixed Cam

Part Number	Finishes	Packaging
9555-102CP	Chrome Plate	Trade Pack

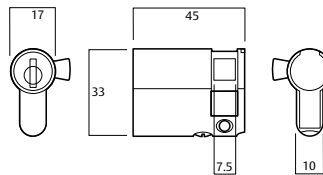
**Note:** Available in Trade only.



## Single Cylinder - Fixed Cam

Part Number	Finishes	Packaging
9555-502CP	Chrome Plate	Trade Pack

**Note:** Available in Trade only.







**ASSA ABLOY**

**Lockwood** is the leading brand in the Australian locking industry. With an established reputation for high quality products, this iconic brand provides a wide range of locking solutions to residential housing, commercial, semi-commercial, building and industrial application markets. Lockwood is supported by an extensive distribution and after-sales support network. Our customers include retailers, architects, trade and industrial personnel, locksmiths and security dealers.

**ASSA ABLOY** is the global leader in door opening solutions, dedicated to satisfying end-user needs for security, safety and convenience.

**ASSA ABLOY** is represented in all major regions, in both mature and emerging markets, with leading positions in Australia, Europe and North America.

**25YEAR  
MECHANICAL  
WARRANTY**

### The Lockwood 25 Year Mechanical Warranty

Our belief that we manufacture the finest premium products available in today's market place is backed by the Lockwood 25 Year Mechanical Warranty, ensuring that Lockwood continues to keep Australians safe by delivering security and peace of mind.

For warranty terms and conditions, please visit [www.lockweb.com.au](http://www.lockweb.com.au) or call **1300WARRANTY**

**ASSA ABLOY Australia Pty Ltd**  
235 Huntingdale Road  
Oakleigh, Victoria, 3166  
Australia

**1300 LOCK UP (1300 562 587)**  
[lockweb.com.au](http://lockweb.com.au)

**ASSA ABLOY New Zealand Ltd**  
6 Armstrong Road  
Albany, Auckland, 0632  
New Zealand

[info.nz@assaabloy.com](mailto:info.nz@assaabloy.com)  
Telephone +64 9415 7111  
[assaabloy.co.nz](http://assaabloy.co.nz)



**BUSINESS  
REWARDS**

*Purchase Lockwood products through Access Hardware to earn 1 Qantas Point per \$1 spent for your business\*. Find out more by calling Access Hardware customer service on 1800 555 600 or visit [accesshardware.com.au](http://accesshardware.com.au)*

\*A business must be a Qantas Business Rewards member to earn Qantas points for business. Membership and Qantas Points are subject to Qantas Business Rewards Terms and Conditions at [qantasbusinessrewards.com/terms](http://qantasbusinessrewards.com/terms) and Access Hardware Terms and Conditions at [www.accesshardware.com.au/qbr](http://www.accesshardware.com.au/qbr)

Customer Service  
**1800 555 600**

Locksmithing  
**1800 555 700**

#### Disclaimer

Whilst every effort has been made to ensure that the information (including product images and drawings) contained in this brochure is accurate at the time of publication, ASSA ABLOY Australia Pty Limited ("ASSA ABLOY") recommends that you consult ASSA ABLOY or its agents prior to placing an order to ascertain current information on specific products, as ASSA ABLOY reserves the right to make changes without notice. ASSA ABLOY will not be liable for any injury, loss or damage whatsoever, arising from any errors or omissions in the information contained in the brochure or arising from the use or application of the information contained herein. © 2016 copyright by ASSA ABLOY All rights reserved

