

002 Single Cylinder Deadlatch



The Australian-designed Lockwood 002 Deadlatch offers market-leading performance and reliability for your home and is available in both Knob and Lever versions.

The 002 Deadlatch features a cut-resistant stainless steel bolt, 11 concealed anchorage points and a door frame strengthener that combine to offer high security protection.

Additional features include a bolt holdback function that allows you to use your door in passage mode.

Features and Specifications

- High security with cut resistant stainless steel bolt, 11 concealed anchorage points and door frame strengthener
- Bolt holdback function activated by external key or internal knob
- Can be keyed alike to other Lockwood door locks

Keying

- Supplied individually keyed with two keys per lock
- 78,000 key combinations
- Key blank KB2015P

Restricted Special Keying

Lockwood locks can be keyed to a number of controlled and/or specially keyed systems. These range from legally protected keys to protect against unauthorised duplication, which can also include specially designed key systems such as master key systems, which allow for different levels of mechanical access control.

Please refer to Lockwood Keying Catalogue or contact your local sales office or customer service for specific information.

Retrofittable

Replace your existing 001 Deadlatch.



Product Details

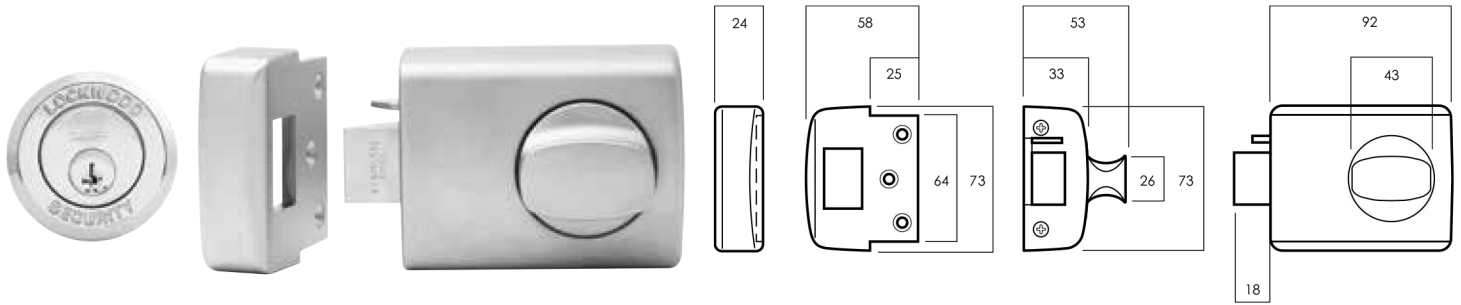
Backset	60mm
Case	High purity zinc alloy
Cylinder	External 5 pin tumbler mechanism. Brass cylinder and brass barrel.
Door Thickness	30 - 45mm
Finish	Satin Chrome Pearl (SP)
Latch	Stainless steel 18mm projection
Packers	3mm thick packer plates are available, these packers are installed under lock body to align lock body with face of jamb

Standards and Compliance

Conforms to Australian Standard (AS4145.2 - 1993)

002 Single Cylinder Deadlatch

Single Cylinder with Knob



Exterior Cylinder

Interior



Kinetic Defence®
Bump and pick resistant.



SafetyRelease™
Minimises the risk of being locked in.



2 Keys Included
Can be keyed alike to other Lockwood door locks.



Retrofitable
Replace your existing 001 Deadlatch.



Deadlatch Bolt
Stainless steel 18mm projection.

002 Single Cylinder Deadlatch

002 - Knob with Open In Strike - Single Pack

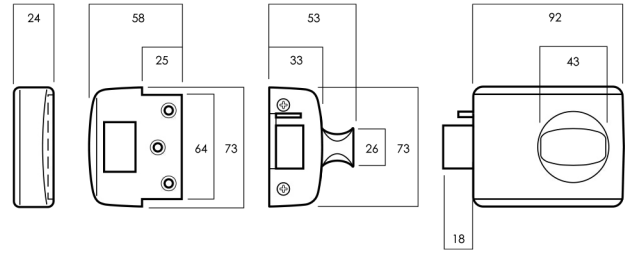
Finish **Trade Pack**

Satin Chrome Pearl 002-1K1SP

No Cylinder

Satin Chrome Pearl 002-1K1SPNC

Suitable for INWARD opening timber framed doors.

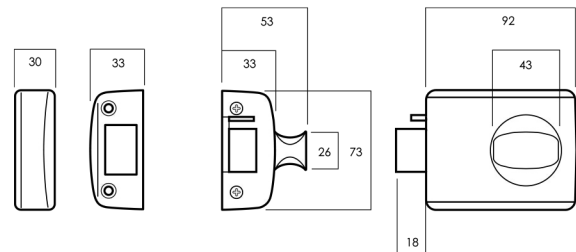


002 - Knob with Metal Frame Strike - Single Pack

Finish **Trade Pack**

Satin Chrome Pearl 002-3K1SP

Suitable for INWARD opening metal framed doors.

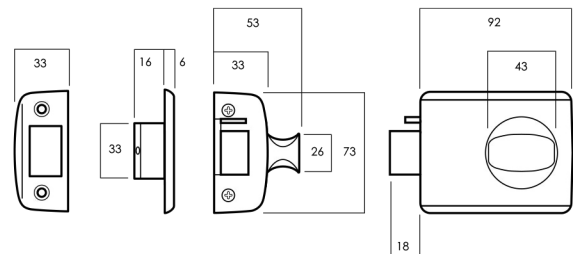


002 - Knob with Open Out Strike - Single Pack

Finish **Trade Pack**

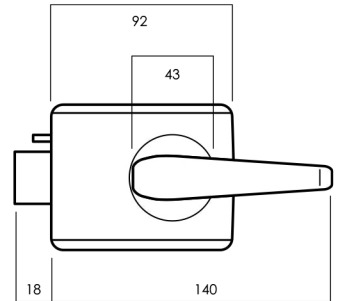
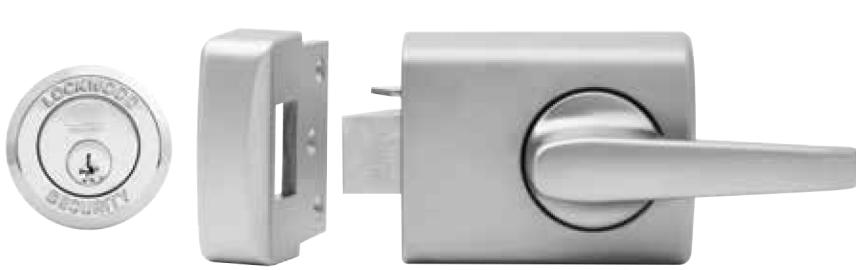
Satin Chrome Pearl 002-4K1SP

Suitable for OUTWARD opening timber framed doors.



002 Single Cylinder Deadlatch

Single Cylinder with Lever



Exterior Cylinder

Interior



Kinetic Defence®
Bump and pick resistant.



SafetyRelease™
Minimises the risk of being locked in.



2 Keys Included
Can be keyed alike to other Lockwood door locks.



Retrofitable
Replace your existing 001 Deadlatch™.



Deadlatch Bolt
Stainless steel 18mm projection.

002 Single Cylinder Deadlatch

002 - Lever with Open In Strike - Single Pack

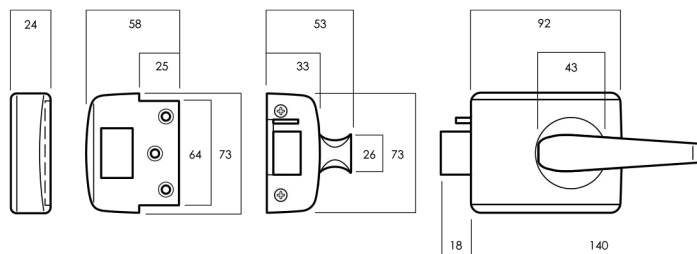
Finish	Trade Pack
--------	------------

Satin Chrome Pearl	002-1L1SP
--------------------	-----------

No Cylinder

Satin Chrome Pearl	002-1L1SPNC
--------------------	-------------

Suitable for INWARD opening timber framed doors.

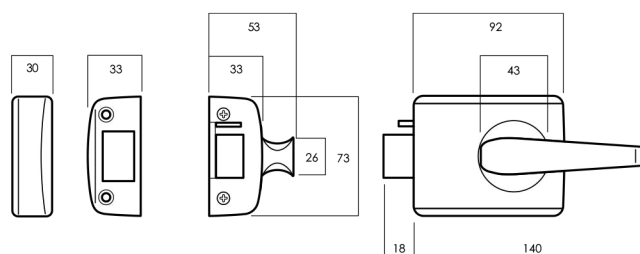


002 - Lever with Metal Frame Strike - Single Pack

Finish	Trade Pack
--------	------------

Satin Chrome Pearl	002-3L1SP
--------------------	-----------

Suitable for INWARD opening metal framed doors.



002 - Lever with Open Out Strike - Single Pack

Finish	Trade Pack
--------	------------

Satin Chrome Pearl	002-4L1SP
--------------------	-----------

No Cylinder

Satin Chrome Pearl	002-4L1SPNC
--------------------	-------------

Suitable for OUTWARD opening timber framed doors.

