



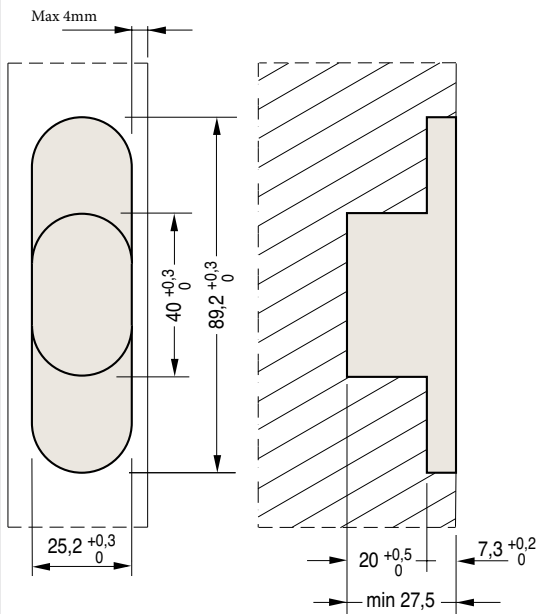
BELLEVUE
ARCHITECTURAL

CEAM INVISIBLE HINGES
new adjustable 3D concealed hinge products for swing doors
100% made in Italy

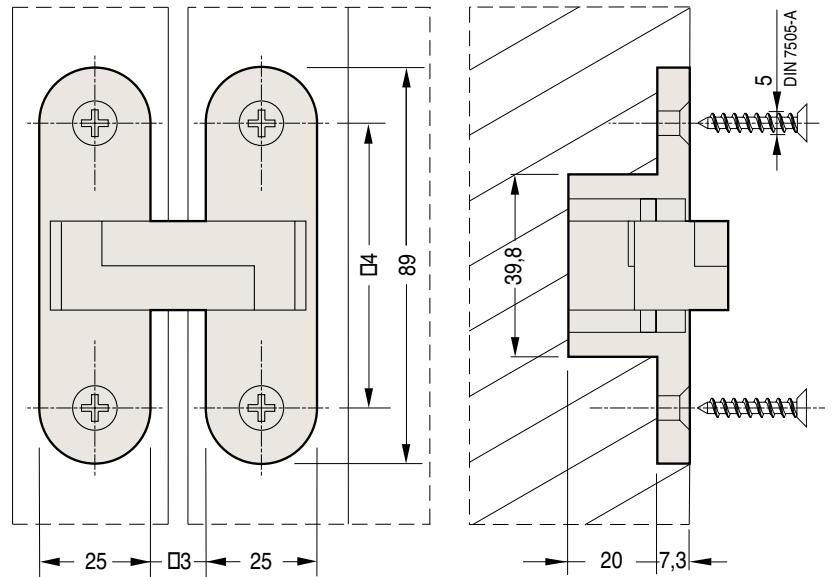
Concealed Hinge BAC2010 Technical Data

304 Grade Stainless Steel & Industrial Nylon: Max 60kg

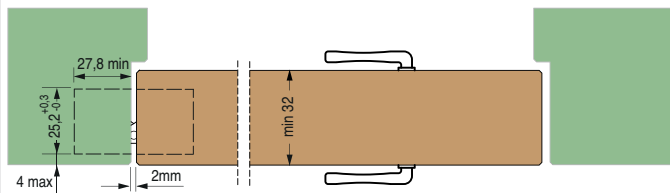
Timber Rebate Measurements



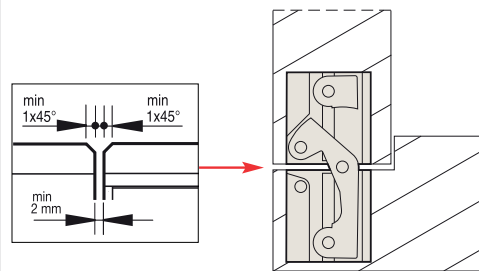
Hinge Measurements



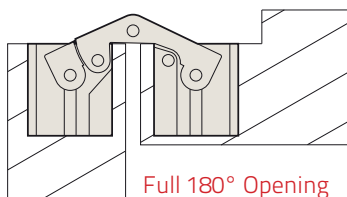
BAC2010 Diagrams



Hinge rebated 4mm max from edge of door and jamb on opening side



Min 2mm gap between door and jamb



Full 180° Opening

BAC2010 Quick Facts

- 100% Made in Italy for over 50 years
- Suitable for high frequency opening doors
- Available in Satin Stainless or Polished Brass
- Jig & router template available for easy installation
- Made from industrial strength nylon & stainless steel
- Suitable for internal & external (under cover) locations
- Suitable for residential, commercial & industrial locations

No. of Hinges based on Door Width & Weight

Door width up to 850 mm height up to 2100 mm

A - 2 hinges 40 kg Max

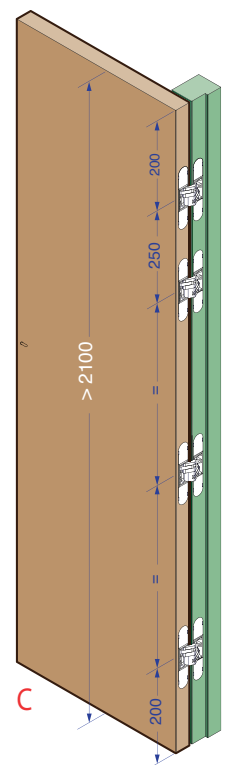
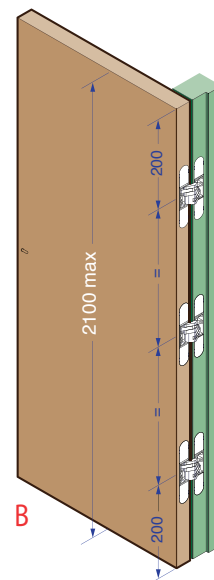
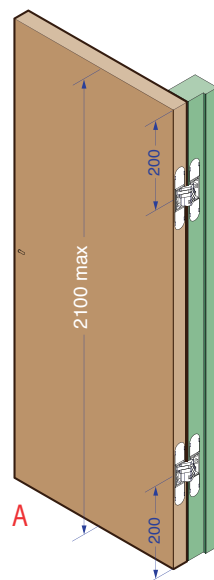
B - 3 hinges 60 kg Max

more than 2100 mm high

C - 4 hinges 60 kg Max

Before applying a door closing device, please contact our technical office on +61 3 9571 5666

The hinge must be lubricated once a year



Concealed Hinge BAC2010 Functional Data

304 Grade Stainless Steel & Industrial Nylon: Max 60kg



No need for unsightly butt hinges or expensive pivot kits, the BAC2010 concealed hinge brings a clean aesthetic appeal to a door, allowing it to blend into the wall.

Made 100% in Italy by Ceam, the BAC2010 is totally reliable, completely invisible (when the door is closed) and ideal for doors that weigh up to 60kg.

Designed to allow a door to open and close, as would any other hinge, but with one difference. You don't see it. Made out of stainless steel and industrial strength nylon, the BAC2010 hinge is ideal for internal

or external (under cover) applications. Rated to carry a 60kg door to 90° or 180° opening, the hinge is extremely versatile and reliable as it is rated to 100,000 opening and closing cycles.

Once installed the BAC2010 hinge becomes totally invisible when the door is closed, providing a clean, sophisticated blended door to wall look.

Unlike traditional hinges where the two leaves of the hinge meet and protrude out past the jamb and face of the door, the BAC2010 hinge is hidden away by the door

jamb and the door which butts up against each other when the door is closed, with only a min 2mm gap.

An added advantage of the BAC2010 is its appearance; aesthetically pleasing to the eye when the door is open, it is sleek and has clean lines.

Cost effective and highly functional, it is a real and effective alternative to traditional and unsightly butt hinges and pivot systems. It's guaranteed for 100,000 cycles and is available in two finishes; the Ceam BAC2010 is hard to overlook.

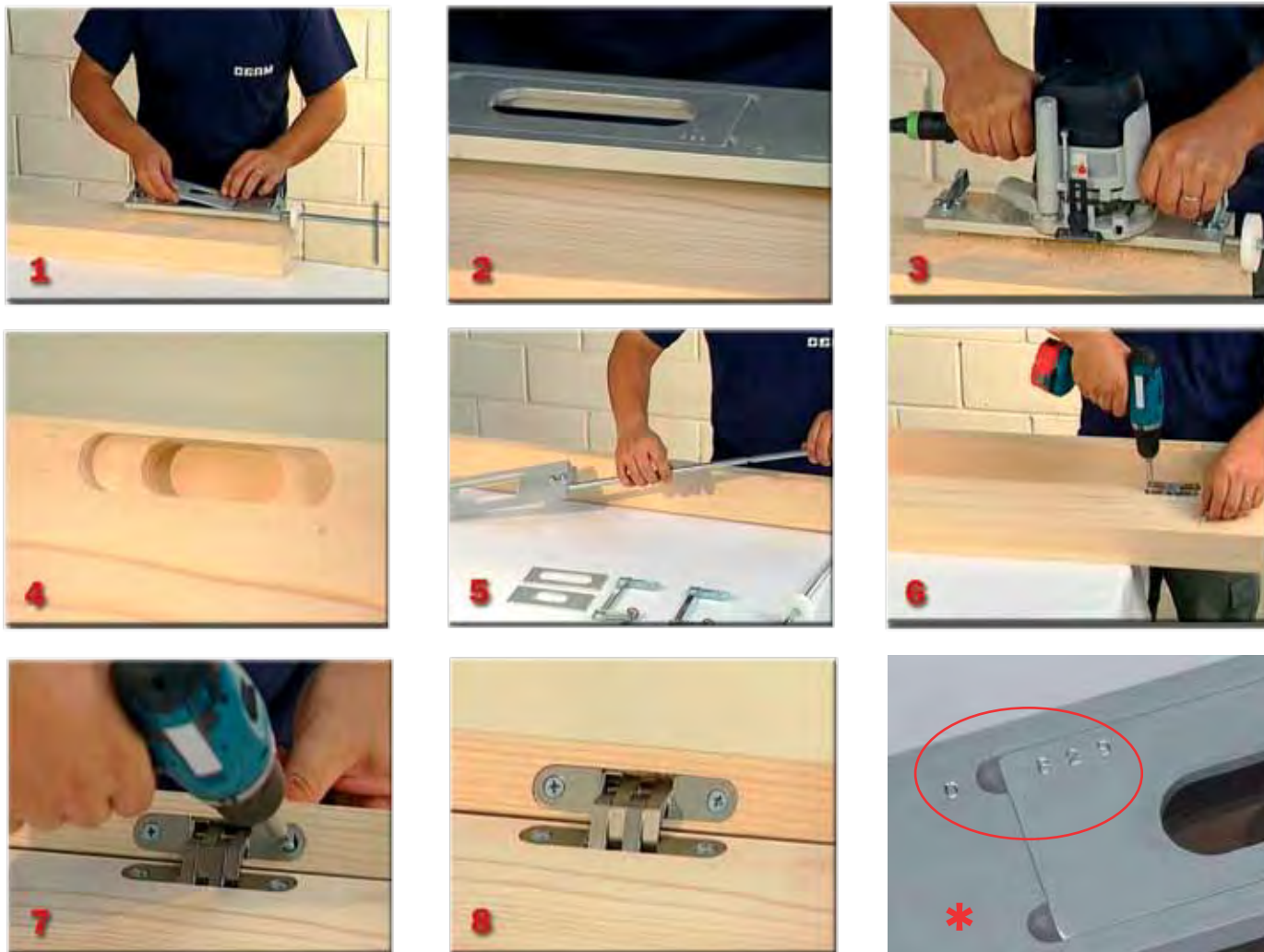
304 Stainless Steel & Nylon
Ideal for internal & external use

BAC2010 Quick Facts	
Min. door thickness	32mm
Max. door weight	60kg
Narrow Timber Rebate	27.5mm
Gap when closed	2mm
Working aperture	180°
Manufacturing Location	100% Made in Italy
Reliability	Certified to over 100,000 cycles



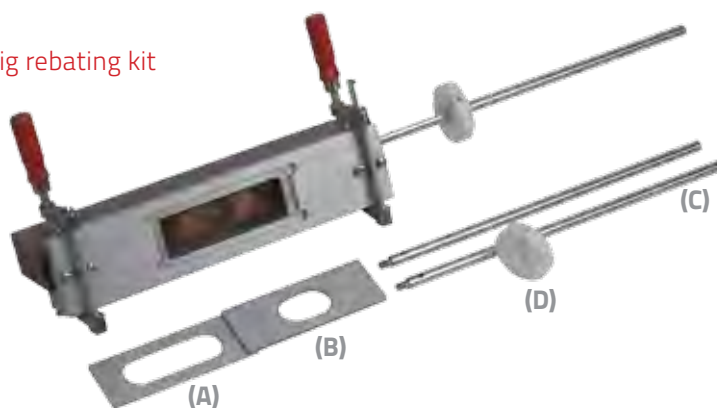
BAC2010 Order Codes	
BAC2010SS	Satin Stainless
BAC2010PB	Polished Brass
BACJIG-BACT2010	Jig and hinge template (rent or buy) pg. 14

Installation & Tooling



A complete video of the installation process using the jig and hinge templates (available to buy or rent) is available for viewing on the Bellevue Architectural web site. It can be found in the "TECHNOLOGY then VIDEO" menu at www.bellevuearch.com.au

Jig rebating kit



Jig and/or templates available to rent or buy

Cod.	Insert for
BACT1029	1029
BACT1030	1030
BACT1130	1130
BACT1131	1131
BACT2010	2010
BACJIG - Complete Jig excluding Insert	



Milling templates to be used with jig

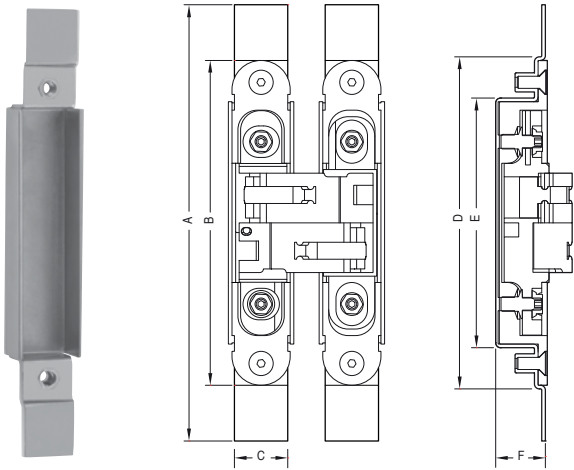
***** Blocking clamps.

It is very important that the hinge templates are correctly assembled in the jig. A reference is printed on the template and the code is printed on the same side of the inserts to ensure proper assembly.

The jig rebating kit, which comprises of the jig, two extension arms, blocking clamps and a nylon ring, enables precise drilling into the jamb and door for the hinges to sit in. The hinge templates are made of 5mm thick aluminium. The strength of the materials used guarantees precise execution of the rebate slots with a manual router (16mm diameter cutter and 27mm external ring provided for manual router).

For each hinge model, two specific types of rebate insertions templates (easily replaceable) are used: one (A) to execute the butt slots and the other (B) for the internal depth slot. The drilling kit comes completed with: extension arms (C) With a nylon ring (D), they allow the installer to establish the desired distance between the rebate holes made in the door and jamb - both left and right hand.

Fixing box for metal jambs & doors

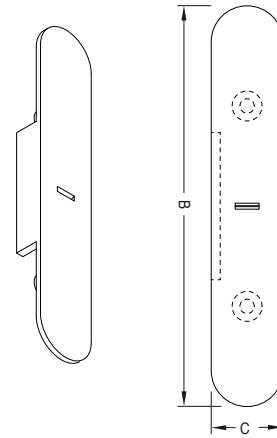


BAC1130XGP (used only with BAC1130)

A	B	C	D	E	F
180mm	134mm	22mm	138mm	104mm	21mm

The BAC1130XGP metal fixing box is used to fit the BAC1130 3D concealed hinge to a metal hollow section of a post, jamb or door.

Nylon cover for hole

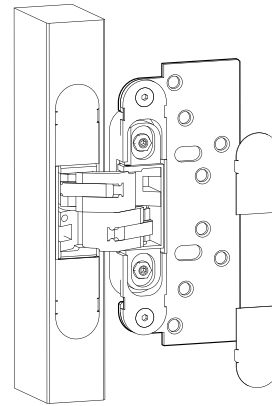
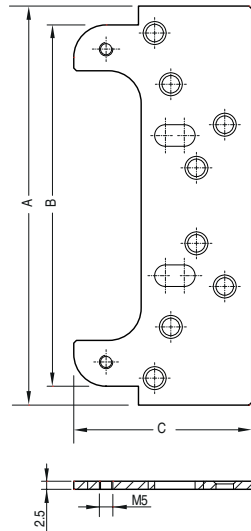
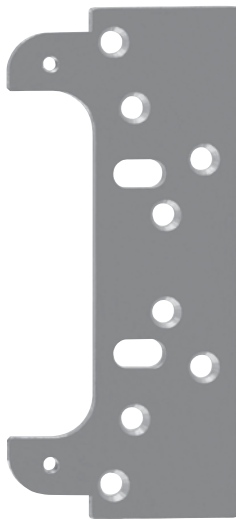


BAC1130XNB (used only with BAC1130)

B	C
134mm	24.4mm

The BAC1130XNB is used to cover an existing non used hinge cutout in the jamb or door, for aesthetic purposes only.

Offset fixing plate

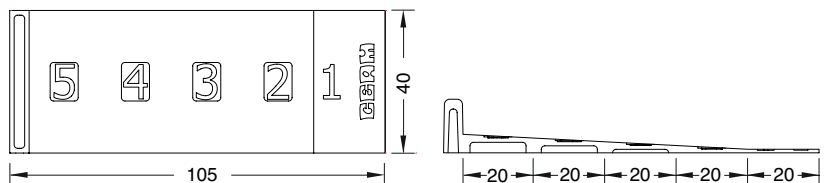
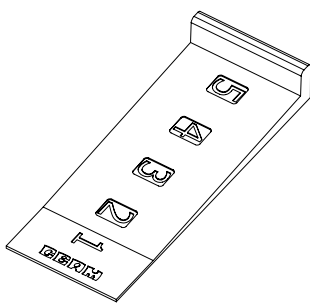


BAC1130XFP (used only with BAC1130)

A	B	C
148mm	134mm	66mm

The BAC1130XFP offset fixing plate, when used in conjunction with the BAC1130 hinge, allows a door to be hung offset to a wall or timber / metal post or door jamb where required.

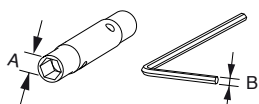
Adjustment wedge



BACWEG Adjustment Wedge

An aid to assist in positioning the door when hanging using Ceam concealed hinges

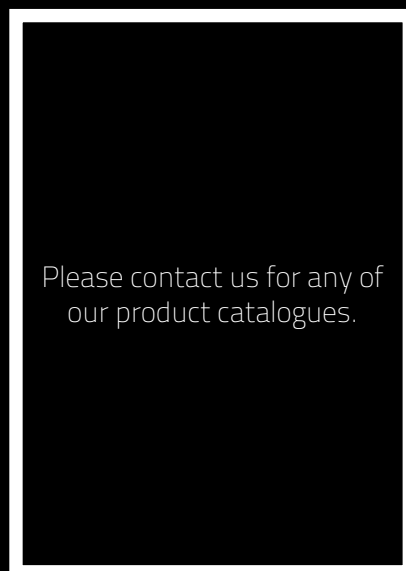
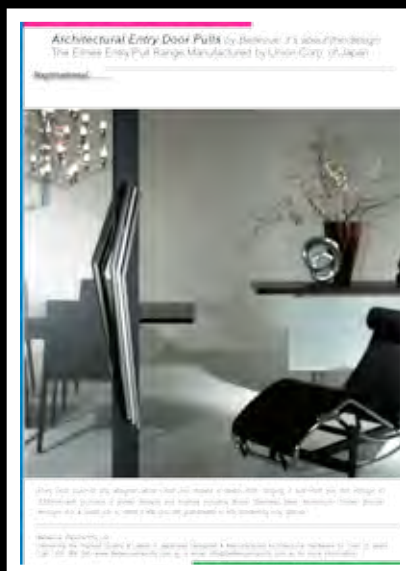
Adjustment keys



	A	B	Used for Model
BACKEY1	8	2,5	1029, 1030, 1130
BACKEY2	10	3	1131

BACKEY Adjustment Keys

Used to adjust the position of the door via the hinge's 3D adjustment axis points. Used to remove the hinge from its cup so the door can be removed and re-hung.



Bellevue Architectural
954 Glenhuntly Road, Caulfield South, Victoria, 3162

Ph: +61 3 9571 5666
Fax: +61 3 9571 1347

www.bellevuearch.com.au
info@bellevuearch.com.au

*Please note that all images in this document are used for illustrative purposes only.

Bellevue Imports Pty Ltd trading as Bellevue Architectural
Ceam Concealed Hinge Range: Catalogue V2/14