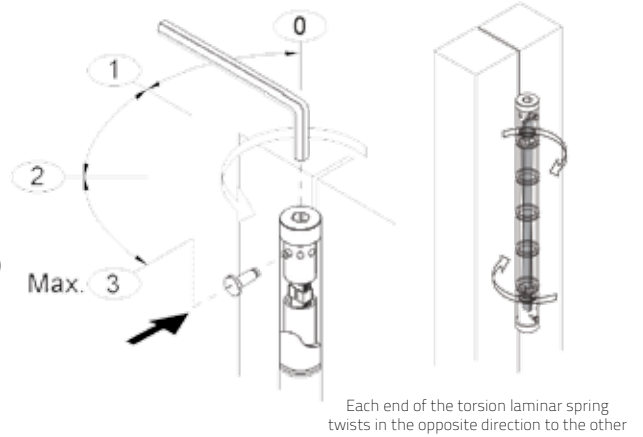
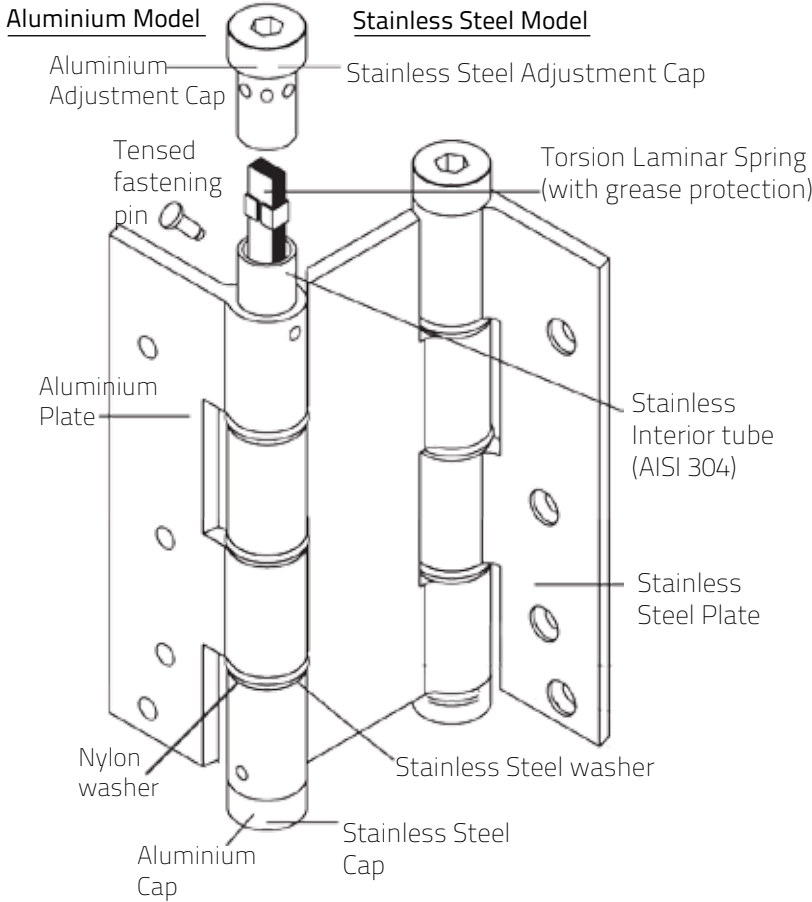


Spring Hinge DA120 Technical Data

Aluminium & 304 Stainless Steel

DA120 Adjustment Instructions:

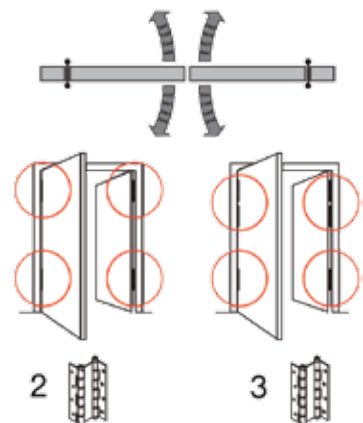
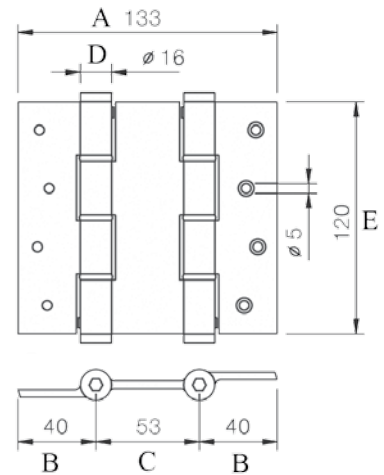
Anatomy of a Small Double Action Spring Hinge:



Dimensional Information:

All measurements in mm

| Model | DA120 SS | DA120 A | DA120 E |
|--------------------|----------|---------|---------|
| A | 133 | 133 | 101 |
| B | 40 | 40 | 29.5 |
| C | 53 | 53 | 42 |
| D | Ø17 | Ø16 | Ø16 |
| E | 120 | 120 | 120 |
| Leaf Thickness | | | |
| | 3 | 4 | 4 |
| Max Door Thickness | | | |
| | 40 | 40 | 30 |

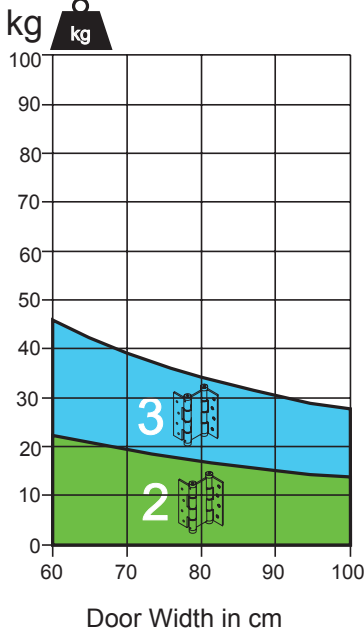


Where DA120 is being used

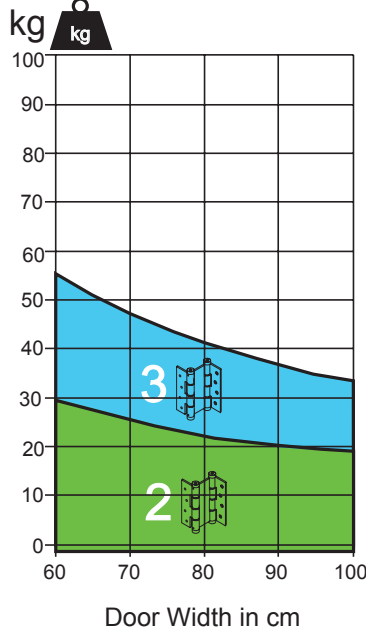
- Residential Environments
- Apartments Buildings
- Hotels of All Sizes
- Commercial Environments
- Industrial Estates
- Hospitals
- Restaurant Kitchens
- Boats, Cars & Trains

Number of Hinges Required and Position

DA 120 & SS



DA 120E



Spring Hinge DA120 Functional Data

Aluminium & 304 Stainless Steel

No need for unsightly door closers or expensive pivot kits, the DA120 Double Action Spring Hinge is sleek, stylish and simple.

Made in Spain by Justor the DA120 is highly functional and totally adjustable, ideal for all light weight or small doors that weigh up to 55Kg (refer graph). The DA120 double action spring hinge is to bring back to the centre position a door that swings open in both directions i.e. a kitchen door in a restaurant.

The DA120 Double Action Spring Hinge is an extension of the enormously popular larger DA180 Double Action Spring Hinge. It's the same in all respects, just smaller. It's been designed to provide the same functionality as the DA180 but on lighter weight doors. The DA120 is ideal for internal or external applications, wherever a dual swing door needs to return to a centre position without assistance. Once installed the DA120 spring hinge can be adjusted to bring the door back quickly or slowly in either direction.

The DA120 has multiple tension settings and adjustments can be made without having to take the door off.

An added advantage of the DA120 is its appearance; it is sleek and has clean lines. The DA120 represents a smarter option when it comes to design and aesthetics. It also is significantly cheaper than some traditional options. Guaranteed for 2 years and available in a range of finishes; the Justor DA120 is hard to overlook.

The Justor DA120 a smaller smarter choice.



Anodized Silver



Stainless Steel

DA180 Range Quick Facts:

- Spring Resistance + 500,000 cycles
- Resistant to extreme Climatic Conditions (Cold and Humidity)
- Maximum resistance to bending
- Torsion Spring not a Coil Spring
- Up to 55Kg in Door Weight Per Door
- Variable Door Movement Strength
- Highly Efficient 180° Working Aperture
- Solid and Stylish Design
- For Wood, Aluminium or metal Doors
- Ideal for Restaurants and Kitchens
- No Periodical Greasing Required
- 2 Year Manufacturer's Guarantee

Order Codes:

- BIDA120SS - Stainless Steel
- BIDA120AS - Anodized Silver
- BIDA120AB - Anodized Bronze
- BIDA120AG - Anodized Gold (by Request)
- BIDA120EAS - Narrow Anodized Silver
- BIDA120EAB - Narrow Bronze (by Request)

DA120 Range Quick Facts:

No need for unsightly door closers or expensive pivot kits. Due to its smart construction it is a small diameter hinge that is totally adjustable in both directions and comes with a 2 year guarantee. It can carry up to 55Kg in door weight.

[The DA120, the smart choice](#)