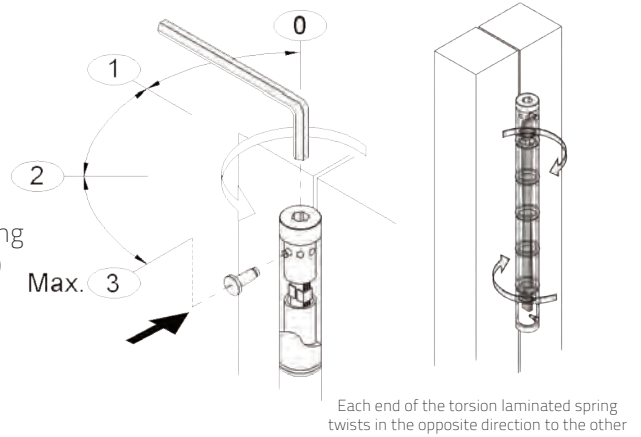
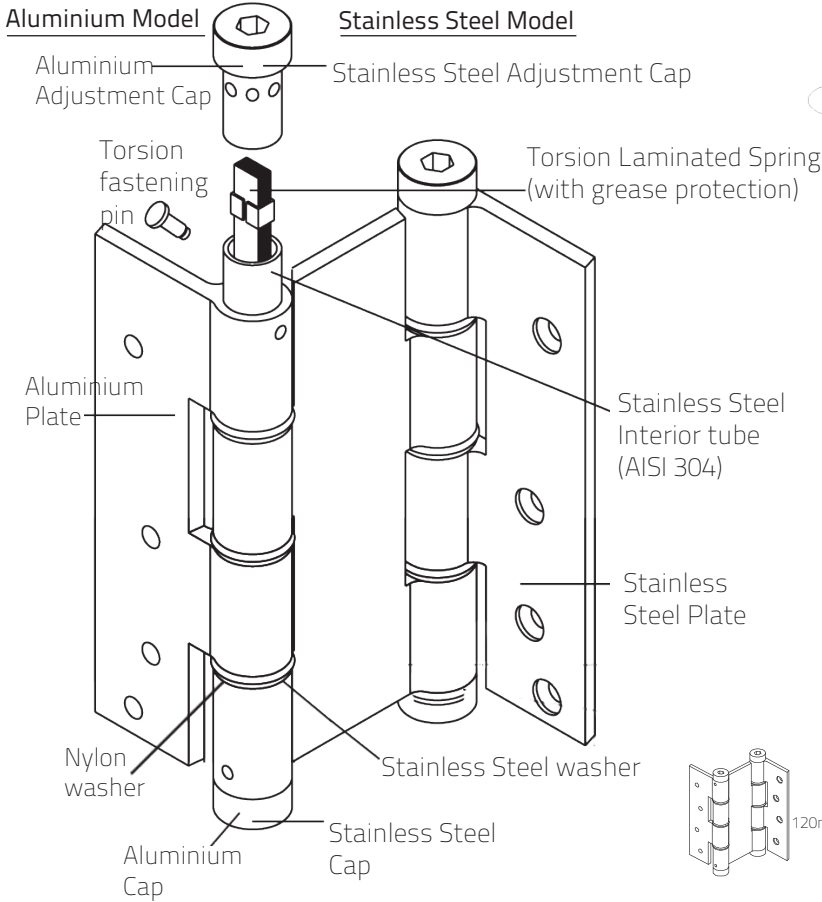


Spring Hinge BIDA120 Technical Data

Aluminium & 304 Stainless Steel

BIDA120 Adjustment Instructions:

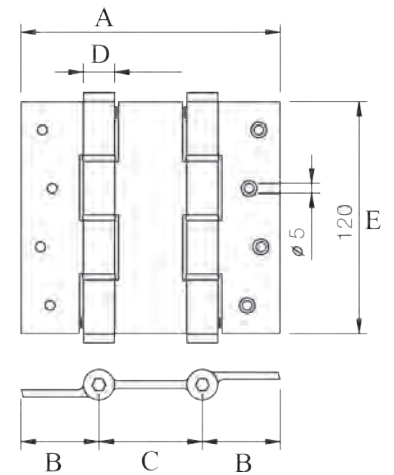
Anatomy of a Small Double Action Spring Hinge:



Dimensional Information:

All measurements in mm

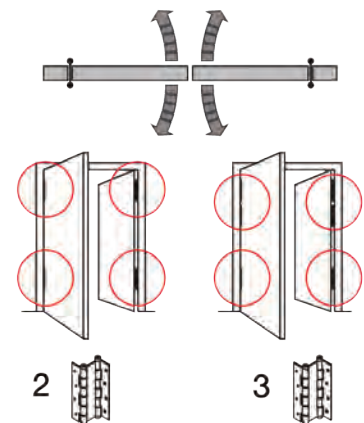
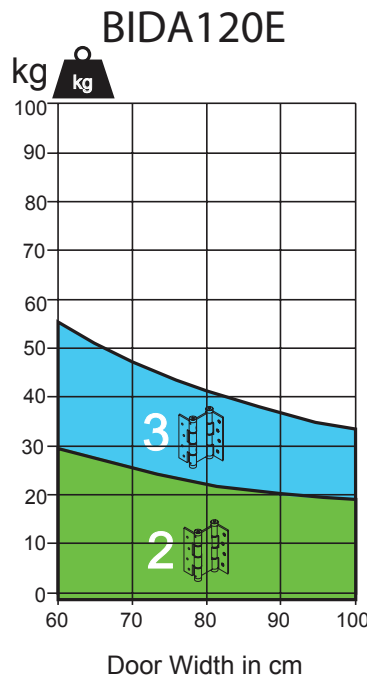
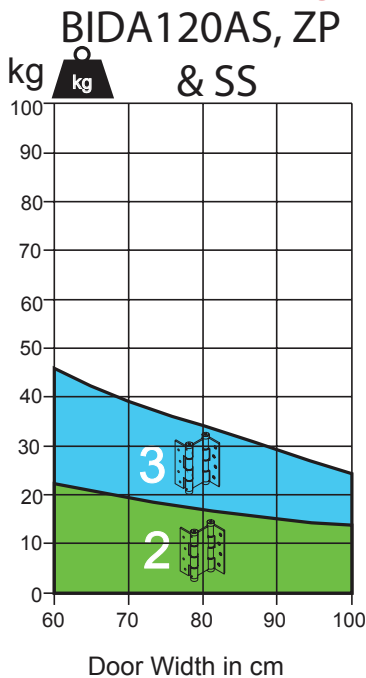
Model	BIDA120 SS, S3, ZP	BIDA120 A	BIDA120 E
A	133	133	101
B	40	40	29.5
C	54	53	42
D	Ø17	Ø16	Ø16
E	120	120	120
Leaf Thickness			
	2.5	4	4
Max Door Thickness			
	40	40	30



Where the BIDA120 is being used:

- Residential Environments
- Industrial Estates
- Apartments Buildings
- Hospitals
- Hotels of All Sizes
- Restaurant Kitchens
- Commercial Environments
- Boats, Cars & Trains

Number of Hinges Required and Position:



Spring Hinge BIDA120 Functional Data

Aluminium & 304 Stainless Steel

No longer do you need door closers or pivot kits, the BIDA120 double action spring hinge is sleek, stylish and simple.

Made in Spain by Justor the BIDA120 is highly functional and adjustable, ideal for all lighter weight or small doors that weigh up to 55kg (refer to the weight graph). The BIDA120 double action spring hinge is to bring back to the centre position a door that swings open in both directions i.e. a kitchen door in a restaurant.

The BIDA120 double action spring hinge is an extension of the enormously successful larger BIDA180 double action spring hinge. It's the same in all respects, just smaller. It's been designed to provide the same functionality as the BIDA180 but on lighter weight doors. The BIDA120 is ideal for internal or external applications, wherever a dual swing door needs to return to a centre position without assistance. Once installed the BIDA120 spring hinge can be adjusted to bring the door back quickly or slowly in either direction.

The BIDA120 has multiple tension settings and adjustments can be made without having to take the door off.

An added advantage of the BIDA120 is its appearance; it is sleek and has clean lines. The BIDA120 is a maintenance free solution - no periodic greasing or adjustments required, just 1 drop of oil in the top top caps once a year. The BIDA120 spring hinge comes with a 2 year manufacturer's Guarantee and is available in a range of finishes and base materials. Cost effective and highly functional, it is a real and cost effective alternative to traditional double action closers and pivot sets; the Justor BIDA120 is hard to overlook.



Anodized Silver



Stainless Steel 304

BIDA120 Range Quick Facts:

- Spring Resistance 500,000 cycles
- Resistant to Extreme Climatic Conditions (Cold and Humidity)
- Maximum resistance to bending
- Torsion Spring not a Coil Spring
- Up to 55kg in Door Weight Per Door
- Variable Door Movement Strength
- 90° or 180° Working Aperture
- Solid and Stylish Design
- Ideal for Restaurants and Kitchens
- 2 Year Manufacturer's Guarantee
- For Wood, Aluminium or Metal Doors

Order Codes:

Base Material: Aluminium

- BIDA120AS - Anodized Silver (max 40mm thick door)
- BIDA120BLK - Anodized Black (max 40mm thick door)
- BIDA120WHT - Alum PC White (max 40mm thick door)
- BIDA120AB - Anodized Bronze (max 40mm thick door)
- BIDA120AG - Anodized Gold (max 40mm thick door)

- BIDA120EAS - Anodized Silver (max 30mm thick door)
- BIDA120EAB - Anodized Bronze (max 30mm thick door)
- BIDA120EAG - Anodized Gold (max 30mm thick door)

Base Material: Stainless Steel and Zinc Plated

- BIDA120SS - 304 Stainless Steel (max 40mm thick door)
- BIDA120ZP - Zinc Plated (max 40mm thick door)

Non Sprung Kit (1 kit per Knuckle)

- BINSKSS - @ x Caps and pin 304
- BINSKCR - @ x Caps and pin Chrome
- BINSKAB - @ x Caps and pin Black