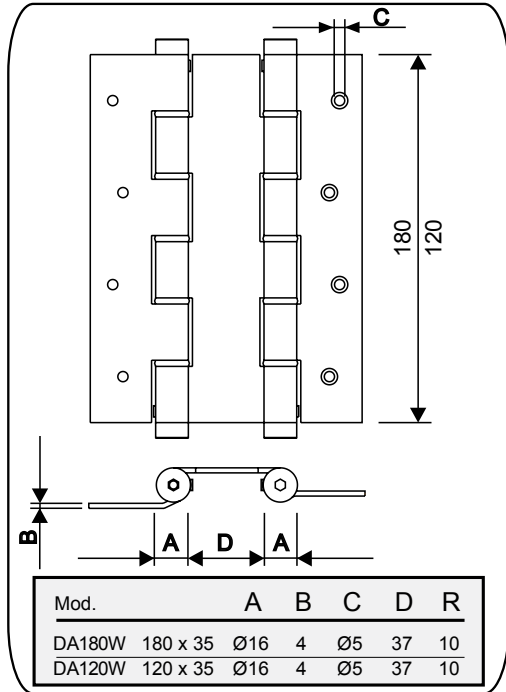


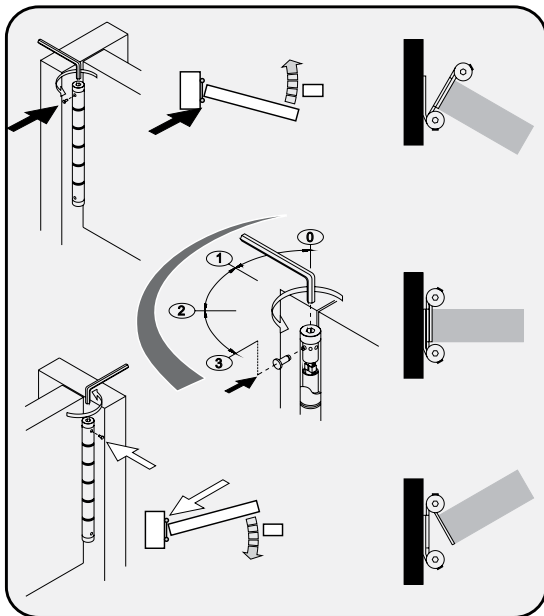
# Spring Hinge DA120W & DA180W Technical Data

## Aluminium Wall Mounted - No Jamb required

### Dimensions of the DA120W & DA180W

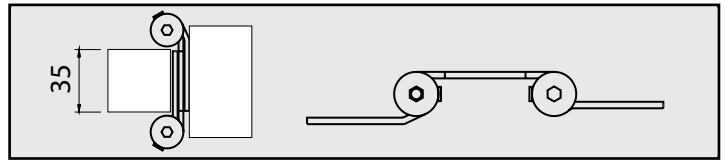


### Adjustment of the DA120 & 180W:



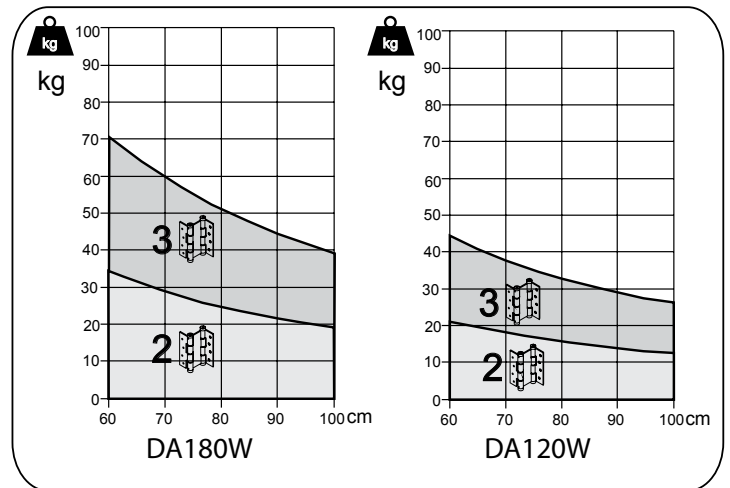
Multiple adjustment points for increasing or decreasing the spring's tension. Simple function, pull pin, turn head with allen key and replace pin. No need to remove door.

### DA120W & DA180W Door Thickness & Design:



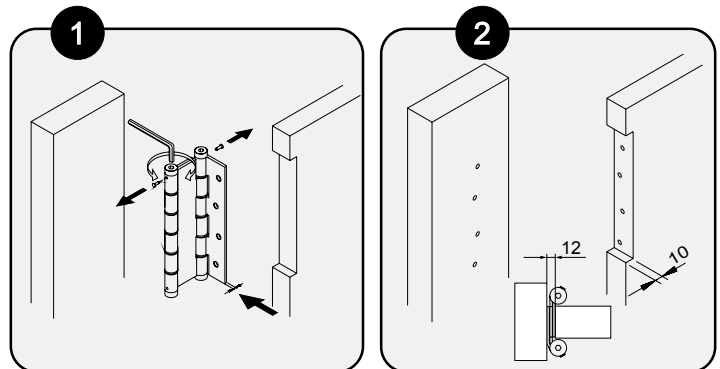
The DA120 & 180W Justor spring hinge is suitable for doors from 25 to 35mm thick. As indicated in the above drawing, the hinge has a flat back which sits behind the hinges two knuckles allowing it to be fixed to any flat surface.

### Number of hinges required per door:



Based on a sliding scale, typical number of hinges per door starts at 2 increasing to 3 based on the graph above. For doors that require 3 hinges, please fit the 1st hinge at top, the 2nd placed 5cm below 1st hinge and the 3rd hinge at bottom.

### Installation of the DA120 & 180W:



Easy 2 step installation process. Step 1, cut rebate into door, insert allen key into head of hinge remove pin, turn to release tension, reinsert pin. Step 2, screw hinge to door & wall jamb, re-adjust tension. Easy. You're done.

# Spring Hinge DA120W & DA180W Functional Data

## Aluminium Wall Mounted - No Jamb required

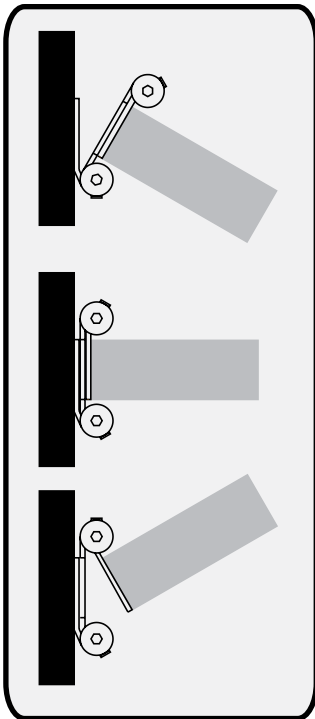
Unlike traditional double action hinges which require a jamb to mount onto, the new DA120W & 180W does not. Due to its revolutionary design, the new "DA120W & DA180W" Double Action Spring Hinge from Justor of Spain now [mounts directly to a flat surface](#). No need to build out the wall or the jamb to cater for the knuckles of the hinge. Screw straight onto the wall. Simple, clean and easy....

What makes the DA120W & DA180W totally unique is its revolutionary design. Specifically engineered to cater for doors where the traditional jamb for the hinge to be mounted to does not exist. With this fact in mind, the DA120W & 180W opens up endless possibilities to where you can hang a door and how the door and wall can be designed with aesthetics of the environment in mind.

Ideal for internal or external applications, wherever a dual swing door (a door that swings in both directions such as a pivot door does) needs to return to a centre position without assistance. Designed to automatically close doors with a subtle visual appearance. Its sleek, stylish and simple design makes it ideal for all environments. Made in Spain by Justor, the DA120W & DA180W are highly functional and totally adjustable to bring the door back quickly or slowly..

The Justor DA120W & DA180W has multiple tension settings for variable closure speed and adjustments can be made without having to take the door down. Guaranteed for 2 years and stocked locally in large quantities by Bellevue in Melbourne; the Justor DA120W & DA180W is hard to overlook.

### Wall Mounted - No Jamb !



### DA 120W & 180W Range Quick Facts:

- Spring Resistance + 500,000 cycles
- Automatically Closes Door
- Stainless Steel AISI 304 spring blades
- Resistant to extreme Climatic Conditions (Cold and Humidity)
- Maximum resistance to bending
- Torsion Spring not a Coil Spring
- Variable Closing Strength (speed)
- Highly Efficient 180° Working Aperture
- Solid and Stylish Design
- For Wood or Aluminium Doors
- Slim Profile vs.. Bulky Door Closer
- Quick & Simple Installation
- No Periodic Greasing Required
- Manufactured in Spain and comes with a 2 Year Manufacturer's Guarantee

### Order Codes:

- BIDA180WAS - Anodized Silver (Max. 35mm thick door)
- BIDA120WAS - Anodized Silver (Max. 35mm thick door)

### Reliability:

The Justor range of single and double action spring hinges have been fully tested and are certified to over 500,000 cycles of use and comes with a 2 year guarantee.