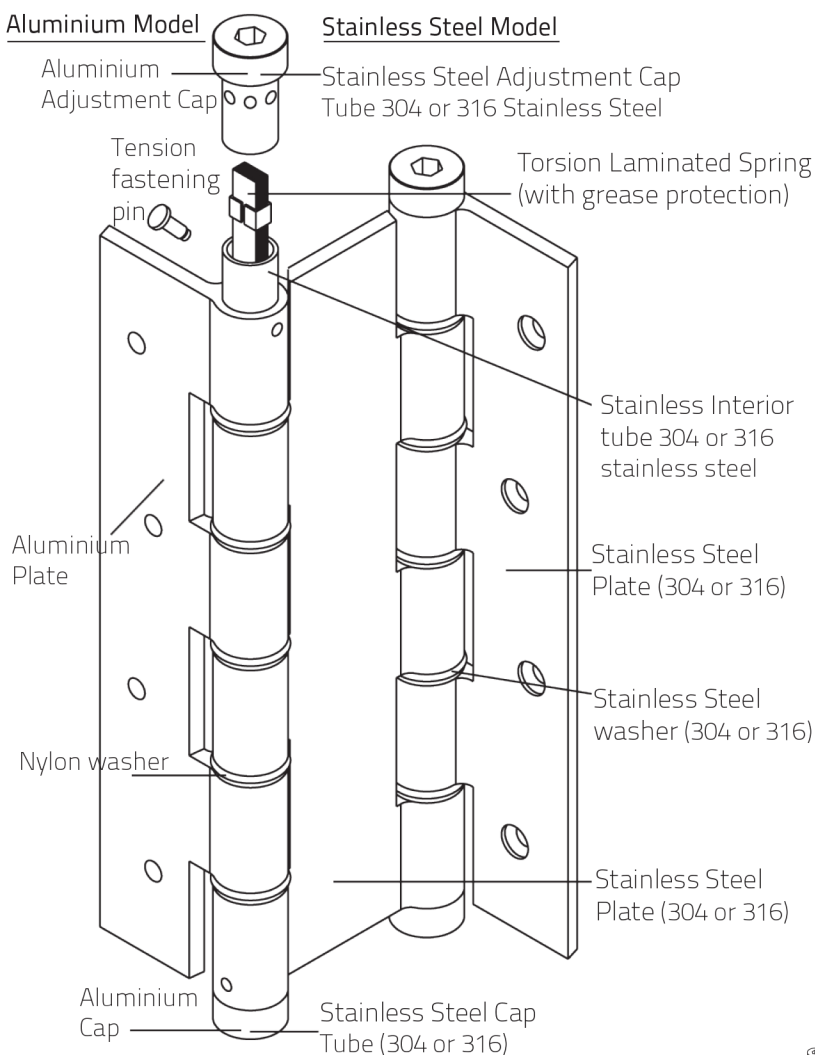


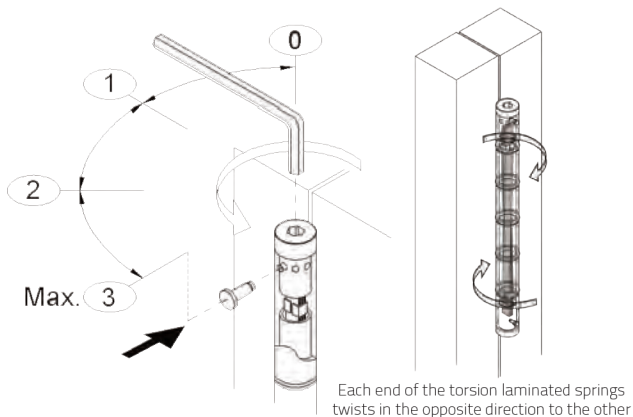
# Spring Hinge BIDA180 Technical Data

## Aluminium, Zinc, 304 & 316 Stainless Steel

### Anatomy of a Double Action Spring Hinge:



### BIDA180 Adjustment Instructions:



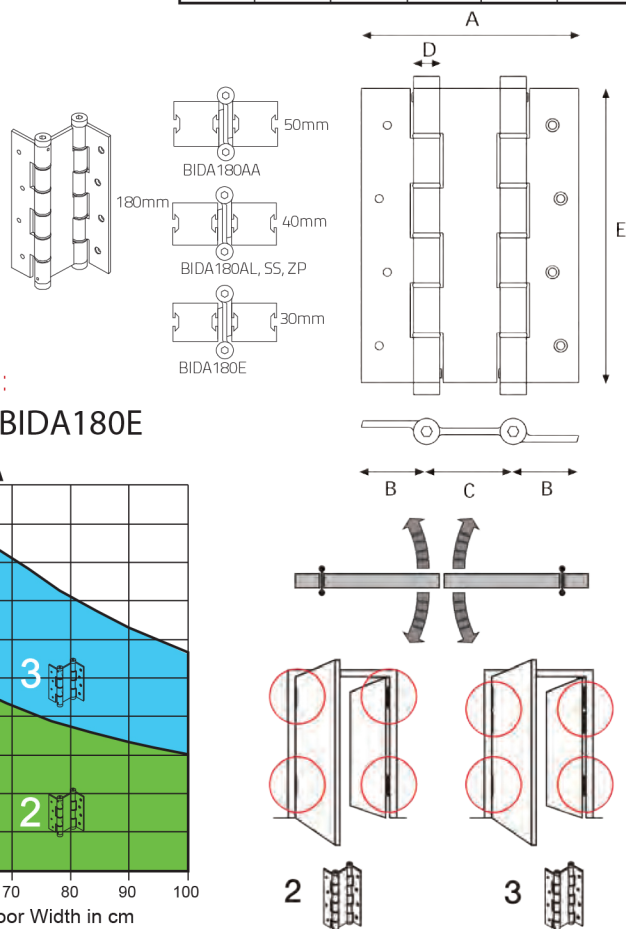
### Dimensional Information:

All measurements in mm

Model	BIDA180 SS, S3	BIDA180 ZP, Iron	BIDA180 A	BIDA180 E	BIDA180 AA
A	133	133	113	96	157
B	40	40	40	27	48.5
C	55	55	53	42	60
D	Ø18	Ø18	Ø16	Ø16	Ø16
E	180	180	180	180	180
Leaf Thickness					
	3	3	4	4	4
Max Door Thickness					
	40	40	40	30	50

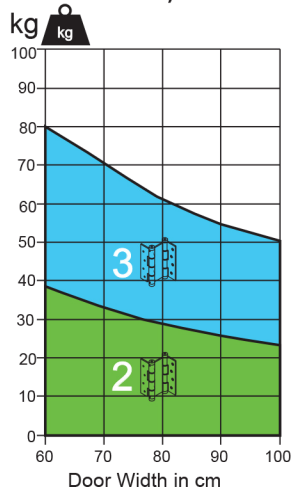
### Where the BIDA180 is being used

- Residential Environments
- Industrial Estates
- Apartments Buildings
- Hospitals
- Hotels of All Sizes
- Restaurant Kitchens
- Commercial Environments
- Boats, Cars & Trains

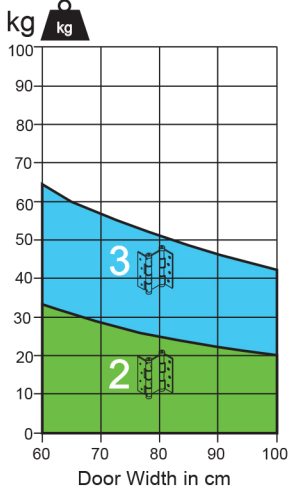


### Number of Hinges Required and Position:

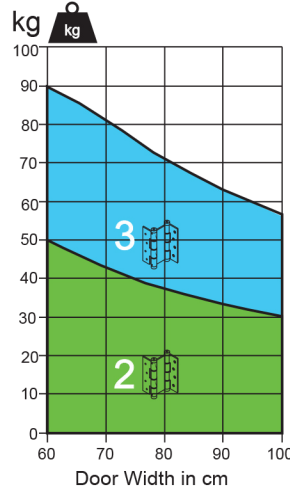
BIDA180A, ZP & SS



BIDA180AA



BIDA180E



Choice of Models  
316 Marine Grade,  
Anodized Black, PC White  
& Zinc Plated

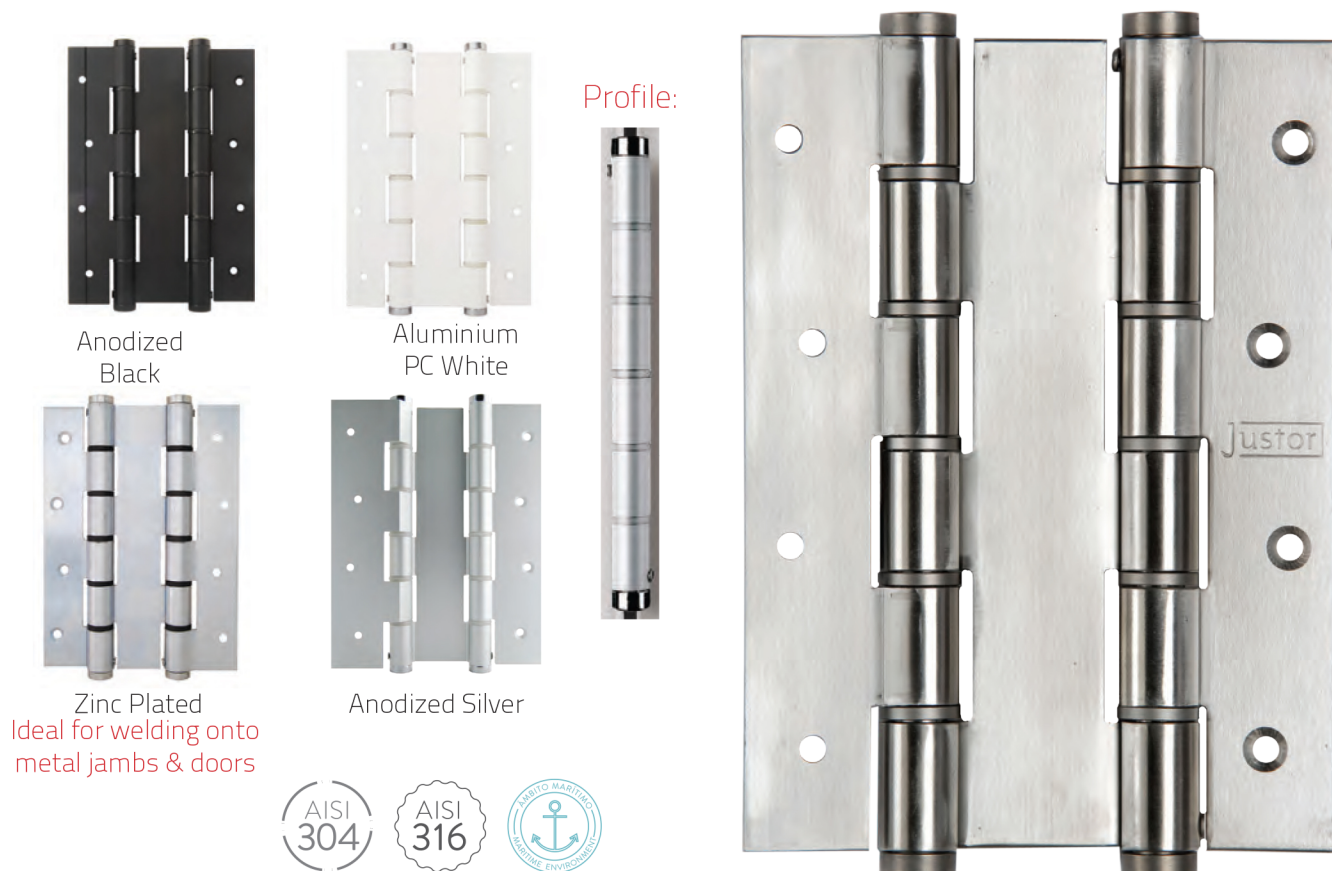
# Spring Hinge BIDA180 Functional Data

## Aluminium, Zinc, 304 & 316 Stainless Steel

No need for unsightly door closers, the BIDA180 Double Action Spring Hinge is sleek, stylish and simple. Made in Spain by Justor, the BIDA180 is highly functional and adjustable, ideal for all doors that weigh up to 95kg (refer to weight graph).

Simplistically the function of the BIDA180 double action spring hinge is to bring a door that swings open in both directions back to the centre position i.e. a kitchen door in a restaurant. Made out of Aluminium, Zinc or Stainless Steel the BIDA180 Double Action Spring Hinges are ideal for internal or external applications, wherever a dual swing door (a door that swings in both directions such as a pivot door does) needs to return to a centre position without assistance.

The BIDA180 has three (3) tension settings in each direction and adjustments can be made without having to take the door off. Made to exacting European standards in Spain by Justor, the BIDA180 is a maintenance free solution - no periodic greasing or adjustments required, just 1 drop of oil in the top top caps once a year. The BIDA180 spring hinge comes with a 2 year manufacturer's Guarantee. Cost effective and highly functional, it is a real and effective alternative to traditional double action closers and pivot sets.



316 marine grade is ideal for sea air environments

### BIDA180 Range Quick Facts:

- Spring Resistance 500,000 cycles
- Resistant to Extreme Climatic Conditions (Cold and Humidity)
- Maximum resistance to bending
- Torsion Spring not a Coil Spring
- Up to 95kg in Door Weight Per Door
- Variable Door Movement Strength
- 90° or 180° Working Aperture
- For Wood, Aluminium or metal Doors
- Ideal for Restaurants and Kitchens
- 2 Year Manufacturer's Guarantee

### Order Codes:

#### Base Material: Aluminium

- BIDA180AAS - Anodized Silver (max 50mm thick door)
- BIDA180AS - Anodized Silver (max 40mm thick door)
- BIDA180BLK - Anodized Black (max 40mm thick door)
- BIDA180WHT - Alum PC White (max 40mm thick door)
- BIDA180AB - Anodized Bronze (max 40mm thick door)
- BIDA180AG - Anodized Gold (max 40mm thick door)
- BIDA180EAS - Anodized Silver (max 30mm thick door)
- BIDA180EAB - Anodized Bronze (max 30mm thick door)
- BIDA180EAG - Anodized Gold (max 30mm thick door)

#### Base Material: Stainless Steel and Zinc Plated

- BIDA180SS - 304 Grade SS (max 40mm thick door)
- BIDA180S3 - 316 Marine Grade SS (max 40mm thick door)
- BIDA180ZP - Zinc (max 40mm thick door)

#### Non Sprung Kit (1 kit per Knuckle)

- BINSKSS - @ x Caps and pin 304
- BINSKCR - @ x Caps and pin Chrome
- BINSKAB - @ x Caps and pin Black