

Spring Hinge BIMP Functional Data

Aluminium

The Justor Spring hinge BIMP is ideal for all light weight doors that need to be returned to a closed position without assistance. The spring hinge BIMP is ideal for light weight doors and existing non-sprung doors where hinges currently exist .

Ideal for fly wire doors and all other light weight doors. Designed with retrofitting in mind, installation of the spring hinge BIMP is quick, neat and simple. It can conveniently be installed without having to dismantle the door.

Made by Justor of Spain, the BIMP's unique design makes it a maintenance-free solution - no periodic greasing or adjustments required, just 1 drop of oil in the top cap once a year. The BIMP spring hinge comes with a 2 year manufacturer's Guarantee and is available in a range of finishes.

The BIMP spring hinge provides the flexibility to change an existing non-sprung door into a full time automatic closing door. The BIMP can be applied to most light doors in any location imagined.

Stocked by Bellevue in large quantities, the BIMP is readily available in three (3) anodized finishes. It is aesthetically pleasing to the eye, cost effective and highly functional. It is the only solution to consider for today's light weight door spring hinge needs.

BIMP Quick Facts:

The BIMP does not require periodical greasing and works on a 180° Aperture. Due to its compact construction it is a small diameter hinge. It has three (3) adjustment points and because it is made by Justor in Spain, it comes with a 2 year manufacturer's guarantee.

The BIMP, the smart choice for light weight doors

Profile:

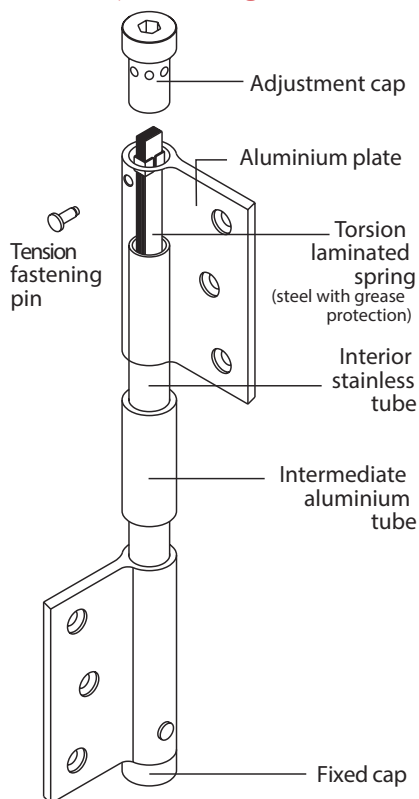


BIMP Quick Facts:

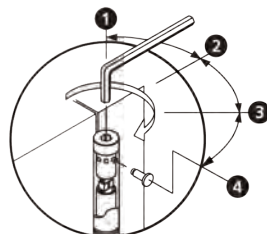
- Spring Resistance 200,000 cycles
- For Light Doors up to 40kg (850mm)
- Torsion Spring not a Coil Spring
- Variable Closing Strength
- Solid and Stylish Design
- For Wood or Aluminium Doors
- Slim Stylish Profile
- Quick & Simple Installation
- Detailed Instructions Included
- Available in Silver, Black or Bronze
- 2 Year manufacturer's Guarantee

Technical Data

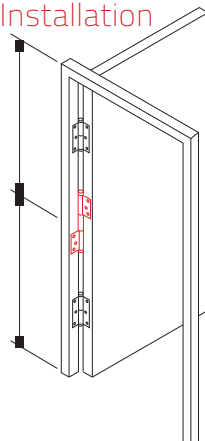
Anatomy of a Hinge:



Adjustment Instructions:

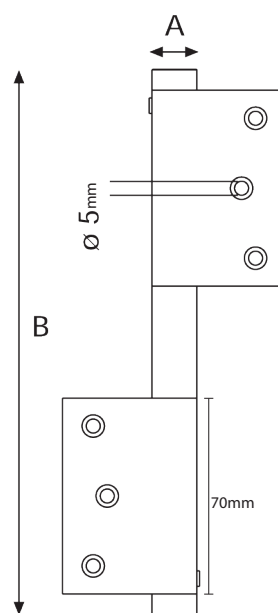


Installation



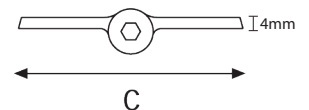
Install the spring hinge in the centre of the door between the two normal hinges.

Dimensional Information:



Measurements table (in mm)

Model	BIMP
A	ø16
B	180
C	80



Order Codes:

- BIMPSI - Anodized Silver
- BIMPBZ - Anodized Bronze
- BIMPBL - Anodized Black