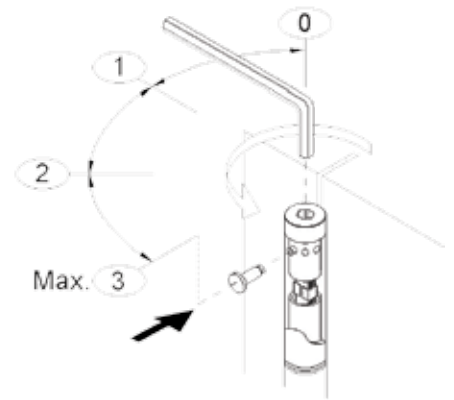
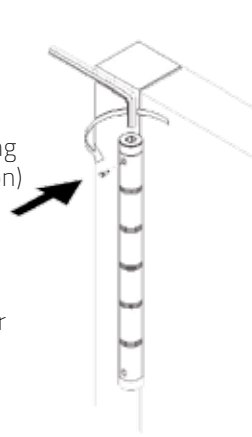
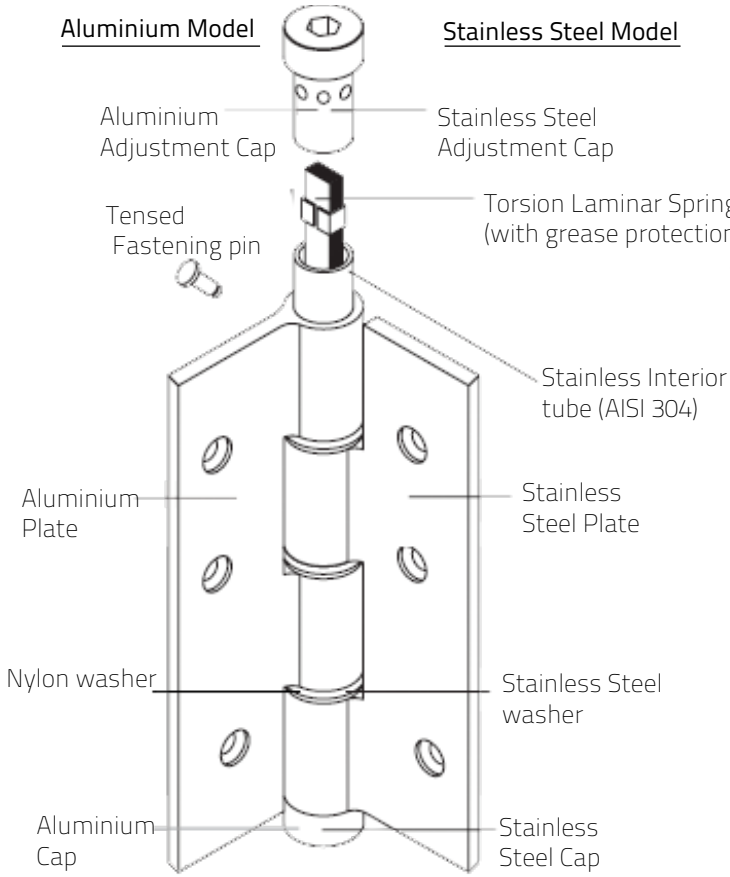


# Spring Hinge SA120 Functional Data

## Aluminium and 304 Stainless Steel

Anatomy of a Small Single Action Spring Hinge:

SA120S Adjustment Instructions:



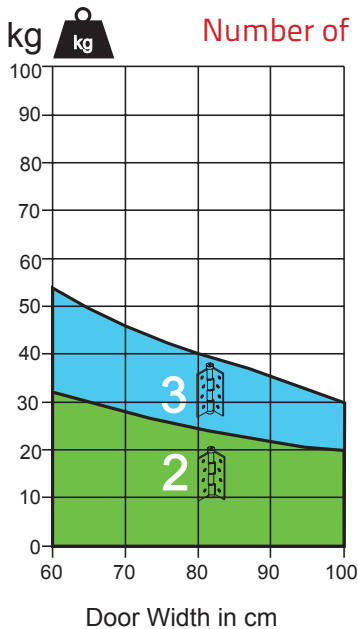
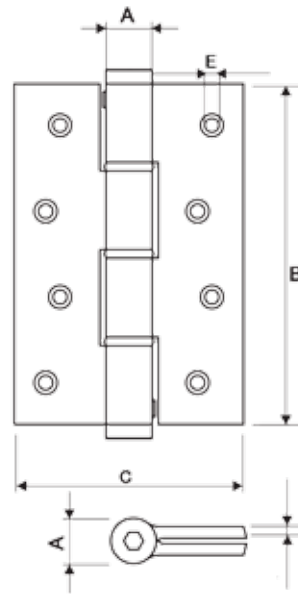
Dimensional Information:

Measurements Table (in mm)

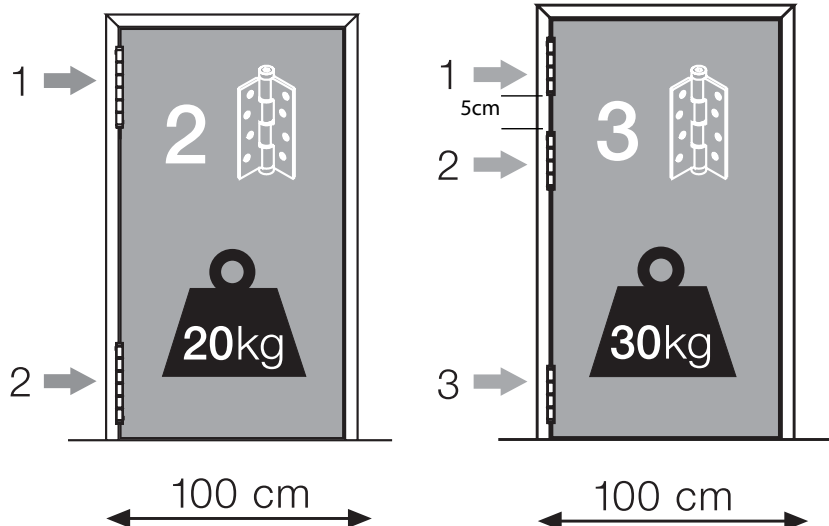
Model	SA120	SA120SS
A	Ø16	Ø17
B	120	120
C	80	80
D	4	2.5
E	Ø5	Ø5

Where SA120 can be used

- Commercial Environments
- Residential Environments
- Apartment Buildings
- Restaurant Kitchens
- Hotels of All Sizes
- Industrial Estates
- Hospitals
- Gates
- Function
- Front Doors
- Office Doors
- WC Entry Doors
- Perimeter Doors
- Doors Leading to Pools



Number of hinges required per door based on door weight & width



# Spring Hinge SA120 Functional Data

## Aluminium & 304 Stainless Steel

Now there is an innovative and cost effective automatic door closing solution for small or light weight doors. The new SA120 Small Single Action Spring Hinge is an extension of the enormously popular larger SA180 (formally the SA58). The new SA120 is the same in all respects to the SA180, but smaller. It's been designed to provide the same functionality as the SA180 but on smaller, lighter weight doors.

The SA120 has been designed to carry doors that weigh up to 55Kg (refer graph) and is ideal for internal or external applications; wherever a door needs to return to a closed position without assistance. The SA120 Single Action Spring Hinge is designed to automatically close a door with a subtle visual appearance. It is sleek, stylish and simple. Made in Spain by Justor the SA120 is highly functional and totally adjustable.

Simplistically, the spring will act as a door closer and close the door once opened. Made out of Aluminium or AISI 304 Stainless Steel the SA120 Single Action Spring Hinge is ideal for internal or external applications. Once installed the SA120 spring hinge can be adjusted to bring the door back quickly or slowly.

The Justor SA120 has multiple tension settings for detailed control of door closure speed and adjustments can be made without having to take the door down. Alternatively, by reversing the tension on the SA120, the spring can be set to assist in the opening of a door.

The SA120 spring hinge can be used on perimeter doors, pool doors, gates, front doors, large feature doors, office doors & WC doors, just to name a few. The SA120 is ideal for Restaurants, Hospitals, Commercial Buildings, Apartments, Boats and Residential houses and general projects of all sizes.

An added advantage of the SA120 is its appearance; aesthetically pleasing to the eye, it is sleek and has clean lines. Cost effective and highly functional, it is a real and effective alternative to traditional and unsightly door closers and other closing solutions. It's guaranteed for 2 years and available in a range of finishes; the Justor SA120 is hard to overlook. Made to exacting European standards in Spain by Justor. The SA120 is a maintenance free solution, no periodic greasing or adjustments required.

The SA120 represents a smarter option when it comes to design and aesthetics.



### Order Codes:

- BISA120AS - Anodized Silver
- BISA120NB - Anodized Black (*Non Sprung*) - new
- BISA120NW - Aluminium PC White (*Non Sprung*) - new
- BISA120AB - Anodized Bronze (by Request)
- BISA120SS - 304 Grade SS

### SA120 Range Quick Facts:

- Spring Resistance + 500,000 cycles
- Automatically Closes Door
- Resistant to extreme Climatic Conditions (Cold and Humidity)
- Maximum resistance to bending
- Up to 55Kg in Door Weight
- Torsion Spring not a Coil Spring
- Variable Closing Strength (speed)
- Highly Efficient 180° Working Aperture

- Solid and Stylish Design
- For Wood or Aluminium Doors
- Slim Profile vs.. Bulky Door Closer
- Quick & Simple Installation
- No Periodical Greasing Required
- Detailed Instructions Included
- Manufactured in Spain with a 2 Year Manufacturer's Guarantee