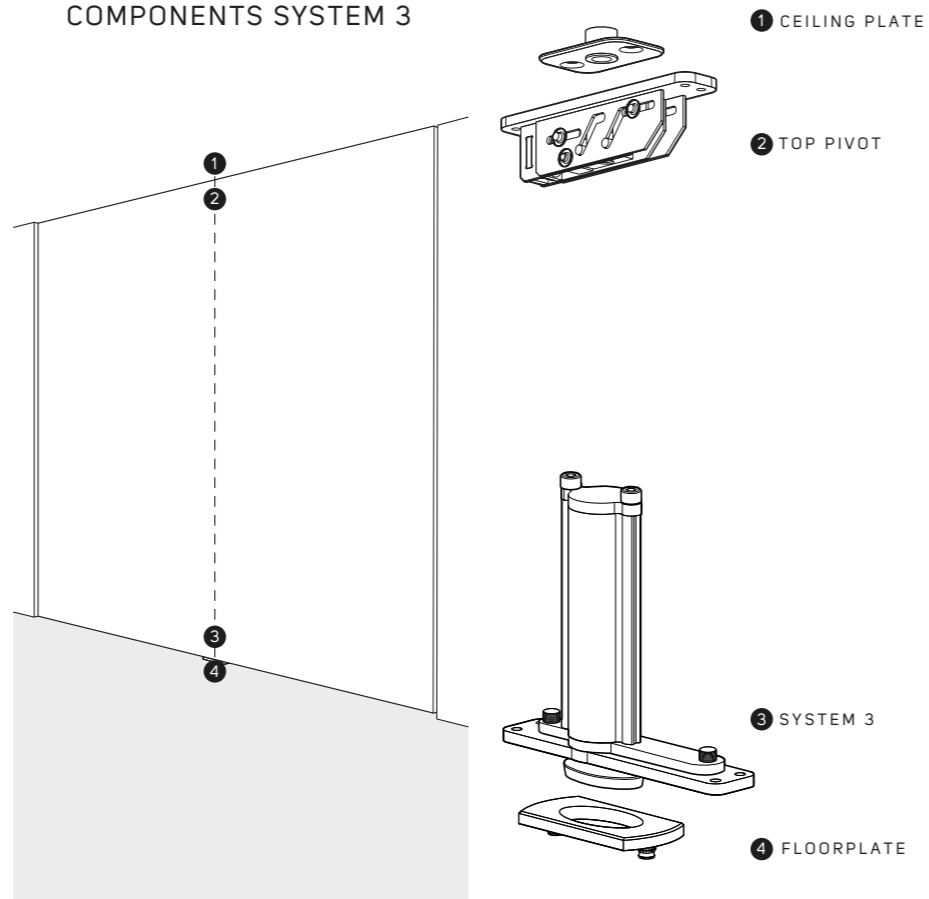


INT-1.5-2019
MOUNTING MANUAL

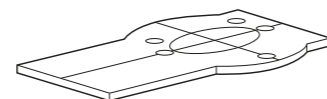
COMPONENTS SYSTEM 3



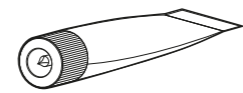
FritsJurgens®

SYSTEM 3

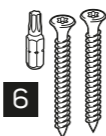
MOUNTING KIT



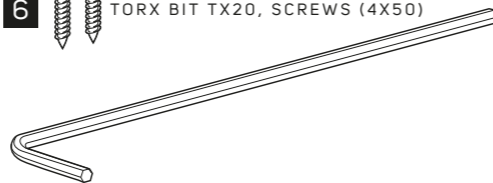
1 2 3 FITTING TEMPLATE



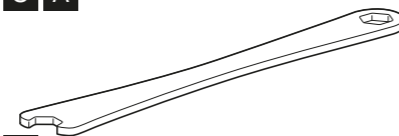
4 6 FITTING ADHESIVE



6 TORX BIT TX20, SCREWS (4X50)



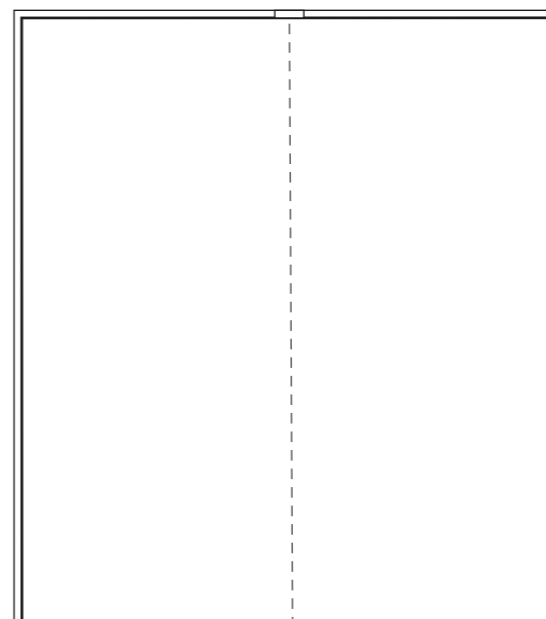
8 A ALLEN WRENCH



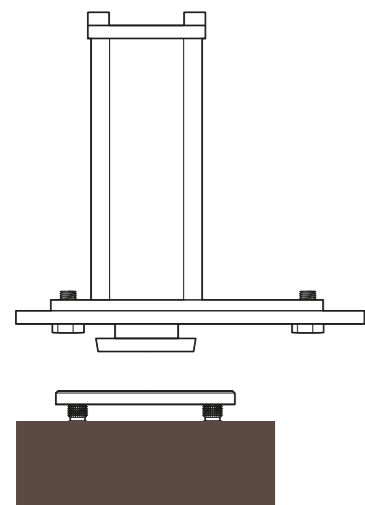
B SPANNER

GAPS AROUND THE DOOR

TOP SEAM
MIN. 4MM
MAX. 10MM



BOTTOM SEAM =13MM

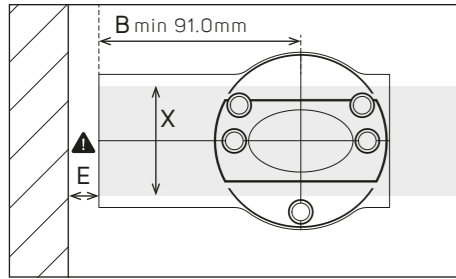


FRITSJURGENS®
+31 598 343 410
INFO@FRITSJURGENS.COM
WWW.FRITSJURGENS.COM



ALSO CONSULT THE
ONLINE MANUAL

GAP CALCULATOR

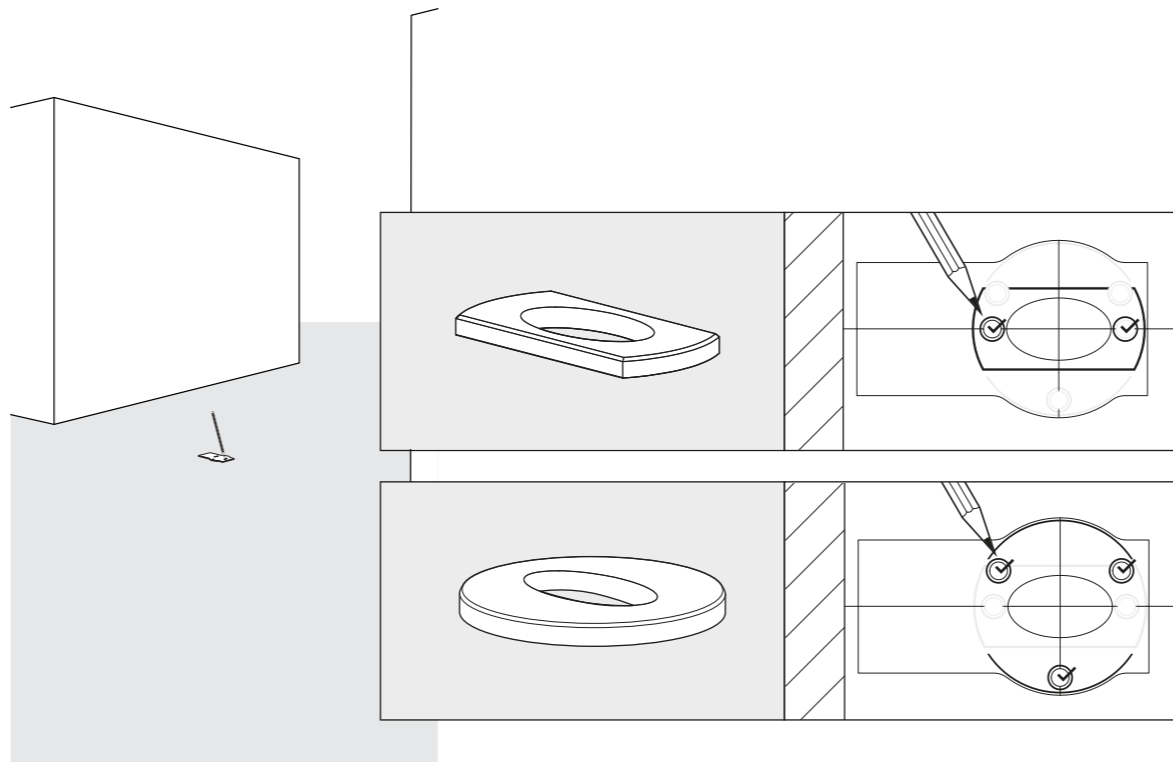


CONSULT THE ONLINE GAP CALCULATOR

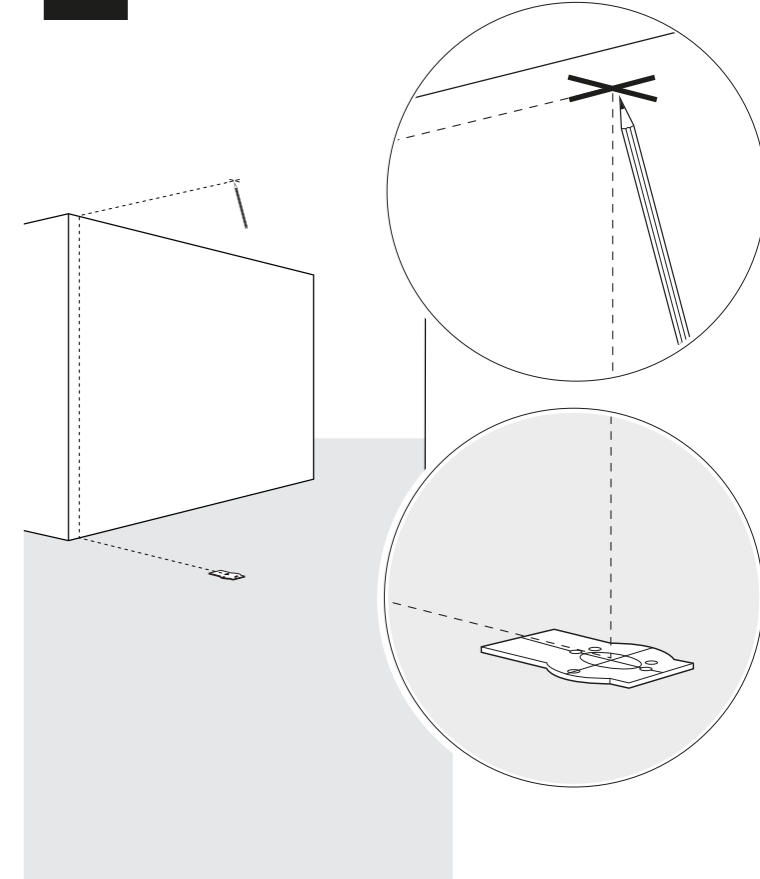
B	40	50	60	70	80	90	100	X
91	4	5	7	9	10	12	15	
250	3	3	4	4	5	6	7	
500	2	3	3	3	4	4	5	
1000	2	2	3	3	3	3	3	
1500	2	2	2	2	2	3	3	
2000	2	2	2	2	2	2	3	

E MINIMUM GAP BETWEEN DOOR AND WALL (IN MM)
B DISTANCE PIVOT POINT TO BEGINING EDGE OF DOOR (IN MM)
X DOOR THICKNESS (IN MM)

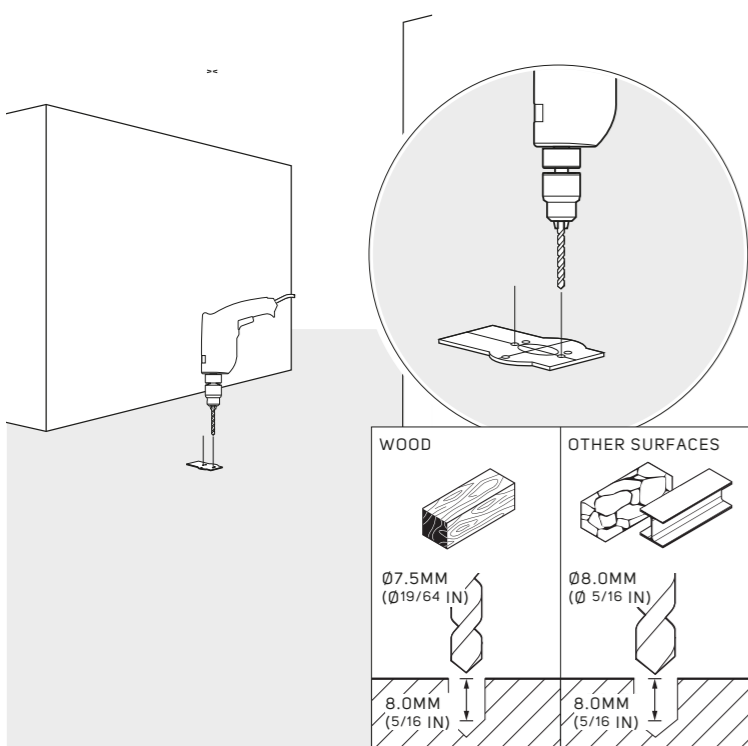
1 MOUNT THE FLOORPLATE



2

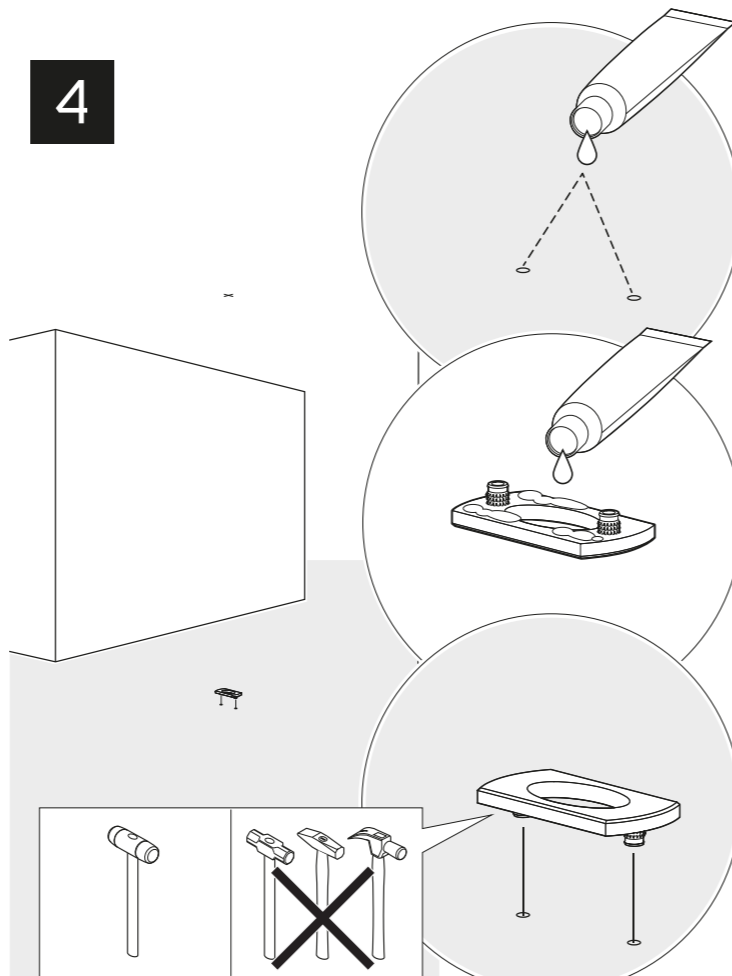


3

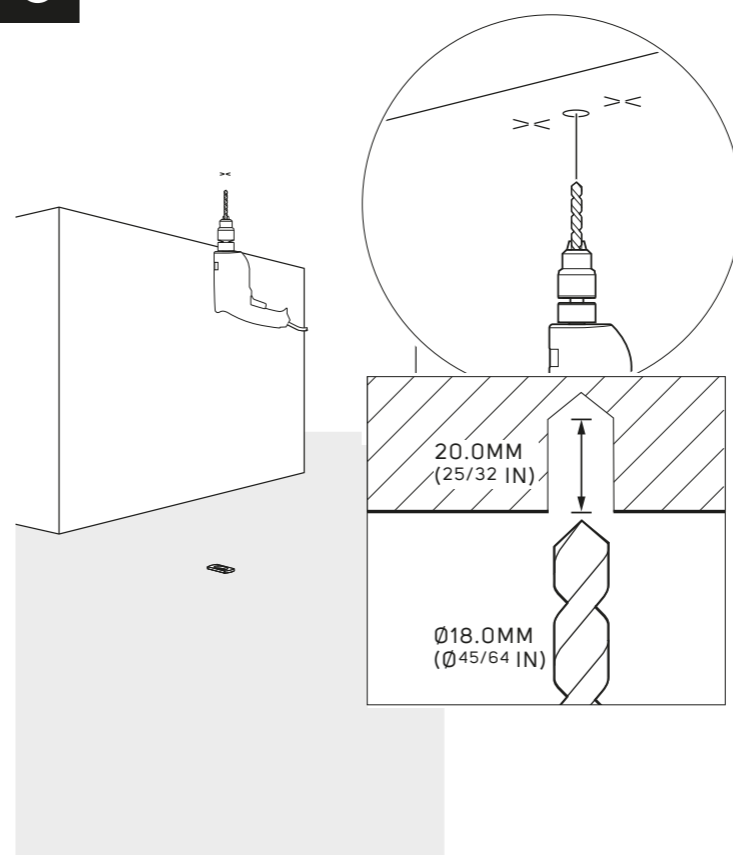


WOOD	OTHER SURFACES
<p>Ø7.5MM (Ø19/64 IN)</p>	<p>Ø8.0MM (Ø 5/16 IN)</p>
<p>8.0MM (5/16 IN)</p>	<p>8.0MM (5/16 IN)</p>

4

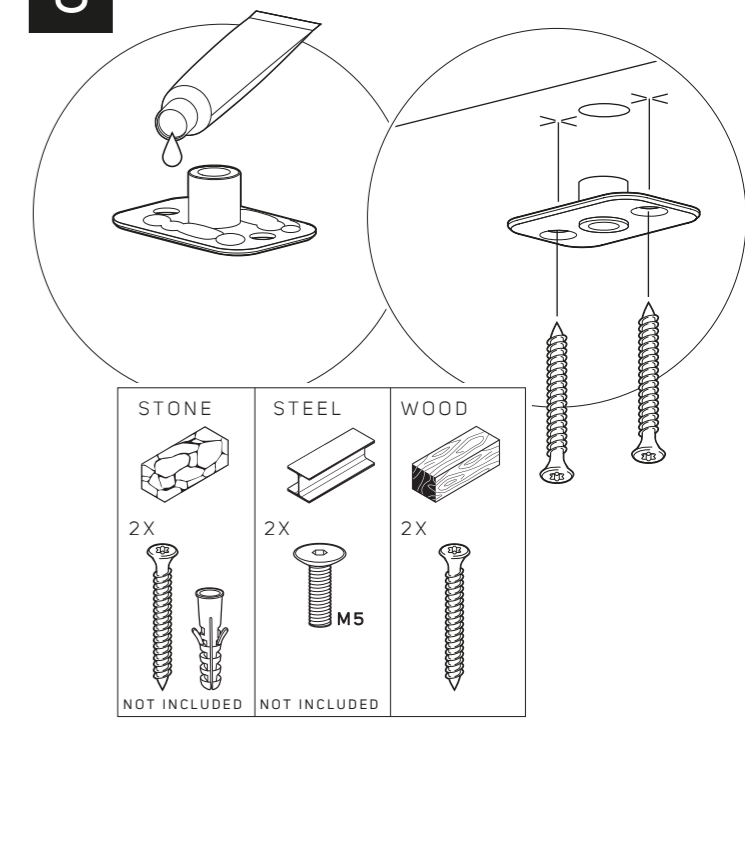


5 MOUNT THE CEILING PLATE



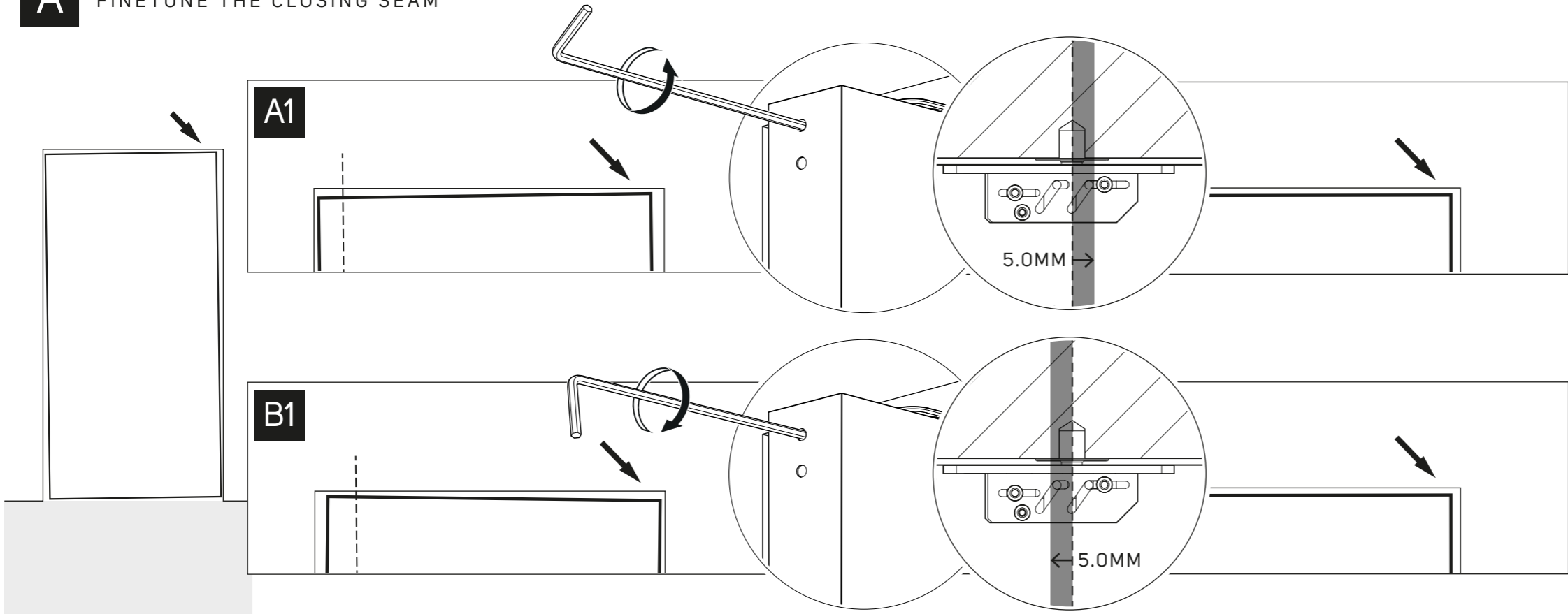
20.0MM (25/32 IN)
Ø18.0MM (Ø45/64 IN)

6



STONE	STEEL	WOOD
<p>2X</p>	<p>2X</p>	<p>2X</p>
NOT INCLUDED	NOT INCLUDED	

A FINETUNE THE CLOSING SEAM



B FINETUNE THE RADIAL POSITION

