

brio.com.au



Brio® where ideas unfold

Brio® **Flush Bolt**
Range

Brio® where ideas unfold

Watch your adventurous architectural ideas unfold into exciting reality with the Brio range of sliding and folding door hardware.

Brio is passionate about shaping the spaces in which people live, work and play. With subsidiaries in the UK, and USA – Brio is recognised by architects worldwide as a leading design and manufacturing company.

Brio's R&D department brings a strong design element to the business, developing and testing ground breaking concepts that continue to be at the forefront of the industry.

So it's no surprise our name Brio translates to Energy, Spirit and Vitality – the core values that drive us to always discover new solutions for our customers.

We are committed to the continuous improvement of quality. That is why Brio, located in Sydney, is certified to Quality Management System AS/NZ ISO 9001:2008.

Brio, part of the Allegion family of brands



The Original 456

With models to suit both inward and outward opening folding doors, French doors and sliding door applications, the Brio®456 features a low profile design that reduces the depth of rebate and retains strength of the timber stile.

The 456 distinctive square-cut-top makes this a classic look for traditional joinery and is available in non-locking and locking where extra security is required. Specially designed to be used on folding door systems, its low-profile design means the key can be left in situ without risk of damage to adjacent stiles.

The 456 features a stainless steel bolt with a 20mm throw housed in an extruded brass body, available in satin nickel, polished nickel and PVD Brass. PVD Brass offers a classic lacquered brass look with improved corrosion resistance.

Three lengths are available; 190mm, 450mm and 600mm to cover a wide range of door heights. A dedicated plunge router bit simplifies installation and ensures a perfect result every time.

Min door thickness: 35mm

Flush Bolt lengths: 190mm, 450mm and 600mm

Throw length: 20mm

Security: Locking and non-locking

Finishes: Satin Nickel (SN), PVD Brass (PVDB), Polished Nickel (PN)

Application: Folding doors, French doors and Sliding doors



A Modern Classic 456R

The Brio® 456R is a variation of the original 456, utilising the same proven technology with the addition of a round-cut top.

Ideally suited to modern machining operations, the rebate can be machined in a single router operation, saving valuable installation time.

As with the 456, the 456R is available in satin nickel, polished nickel or PVD Brass with the addition of PVD black. With this range of finishes and sleek contemporary design, the 456R is the flush bolt to suit virtually any interior.

Min door thickness: 35mm

Flush Bolt lengths: 190mm, 450mm and 600mm

Throw length: 20mm

Security: Locking and non-locking

Finishes: Satin Nickel (SN), PVD Brass (PVDB), Polished Nickel (PN), PVD Black (PVDR)

Application: Folding doors, French doors and Sliding doors



Designed To Suit 360

Developed specifically for timber window installations, the Brio®360 is a brass-bodied design that incorporates all the features of the larger 456 flush bolt.

At just 110mm x 24mm in size, and only 9mm thick, the 360 is ideally suited to the smaller stiles of modern window designs. A 300mm long version is available for those hard to reach window applications.

In round-top only, the 360 is simple to install, fitted to the sash by just two screws that pass through the centre of the body and shoot bolt. As with all Brio® flush bolts, a dedicated router is available to ensure an exact fit.

With the same range of finishes as the 456 and locking options, the 360 offers complete flexibility and long-term performance.

In addition, the innovative 360RK round shoot bolt retainer has been specifically designed to stylishly finish off Weatherfold Window Sery 20 applications that have flush bolts locking into granite bench tops.

For inward opening window applications the 360N offset version is available.

Min Sash thickness: 35mm

Flush Bolt lengths: 110mm and 300mm

Throw length: 20mm

Security: Locking and non-locking

Finishes: Satin Nickel (SN), PVD Brass (PVDB), Polished Nickel (PN)

Application: Folding, Casement, Awning and Sliding windows



The Total Package 512

The Brio® 512 is the all-new fully stainless steel flush bolt, designed specifically for aluminium doors.

The 512 has a low air infiltration and water ingress making it ideal for windows and doors. In addition, the 316 cast stainless steel body provides high corrosion resistance, even in coastal locations.

Installation of the 512 is simple. The new flush bolt is fitted from the inside of the aluminium section, minimising the amount the product protrudes from the surface. On the outside, the satin stainless steel finish maintains the style and appearance of the Brio® flush bolt range.

Available in both locking and non locking, with a choice of 400mm, 600mm and 900mm lengths, the 512 achieves a sleek, professional look and completes the Weatherfold Coastal Elite systems.

Min Sash thickness: 35mm

Flush Bolt lengths: 400mm, 600mm and 900mm

Throw length: 20mm

Security: Locking and non-locking

Finishes: Satin Stainless Steel (SS)

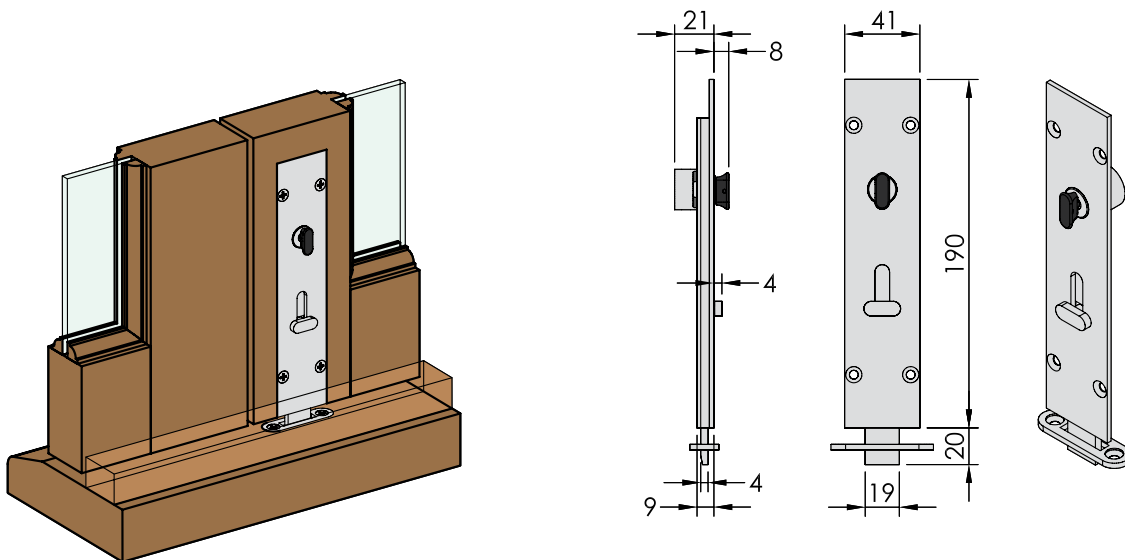
Accessories: 512FSS Fascia Plate

Application: Aluminium folding and French doors

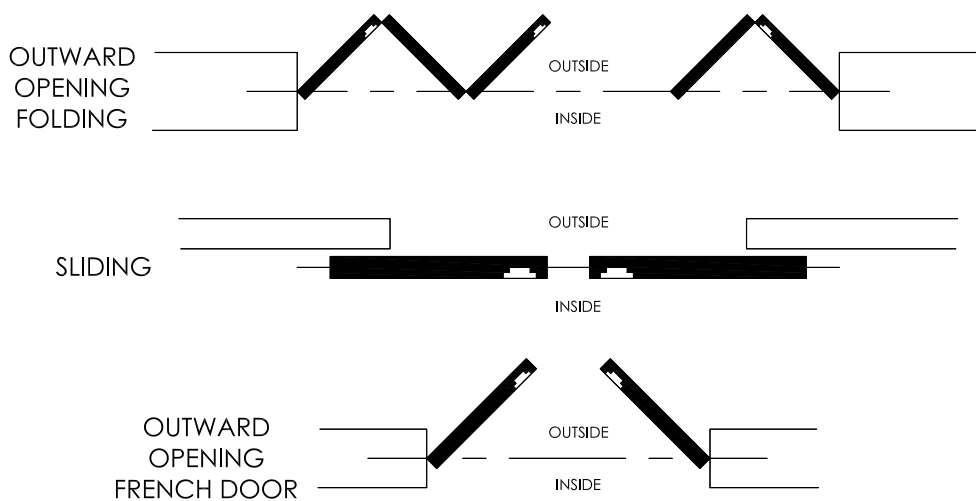


Architectural Details

456 and 456E Flush Bolts

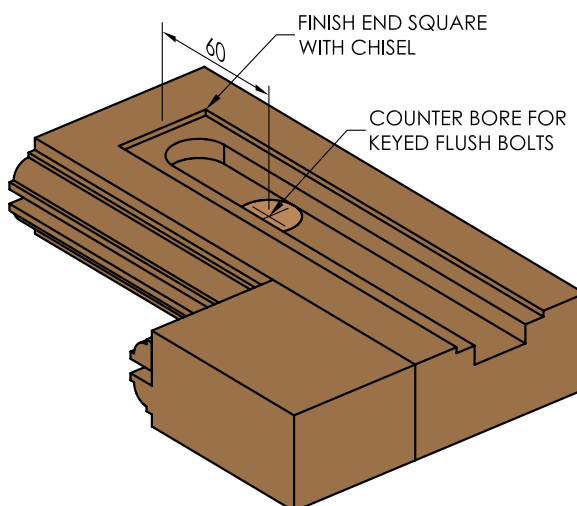
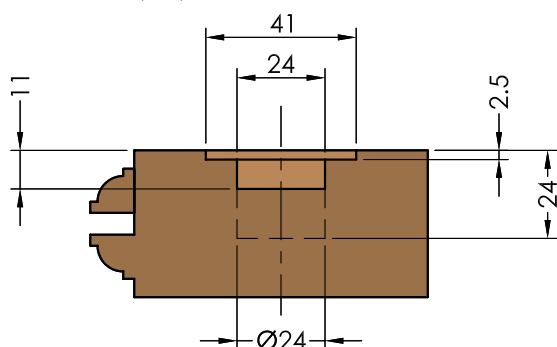


APPLICATIONS - Flush bolt locations in some typical configurations



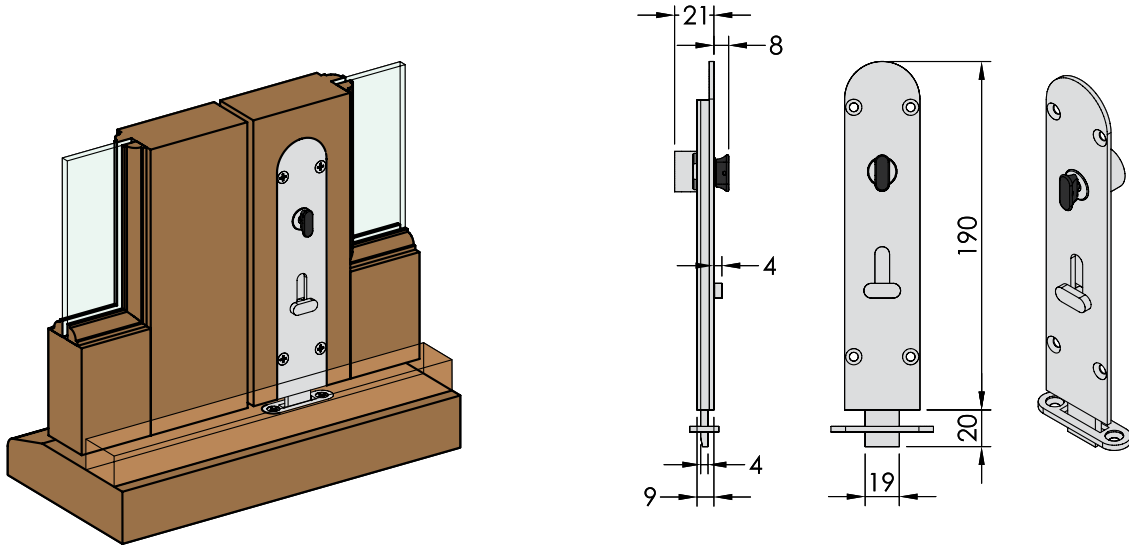
INSTALLATION

1. Cut slot with router bit.
2. Square up top corners with chisel.
3. Cut counter bore if keyed type.
4. Fit flush bolt to door.
5. Fit keeper plate.

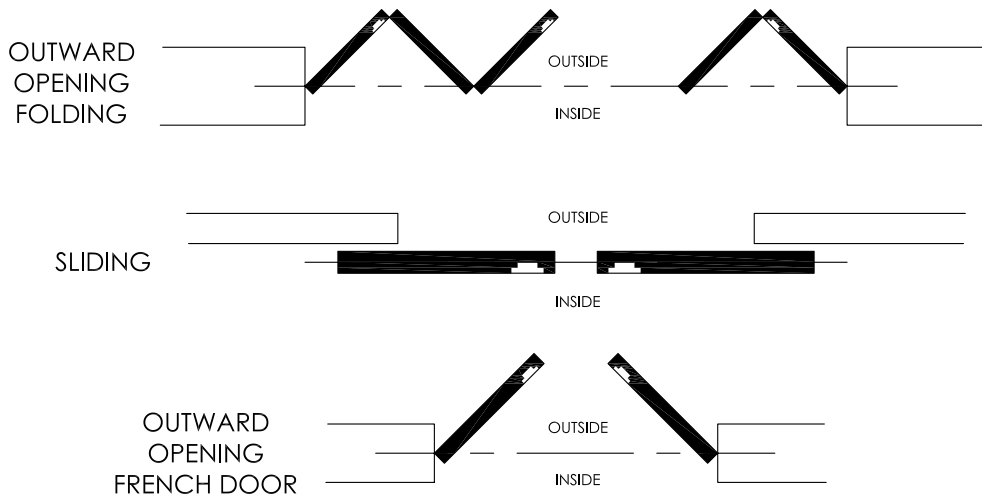


Architectural Details

456R and 456RE Flush Bolts

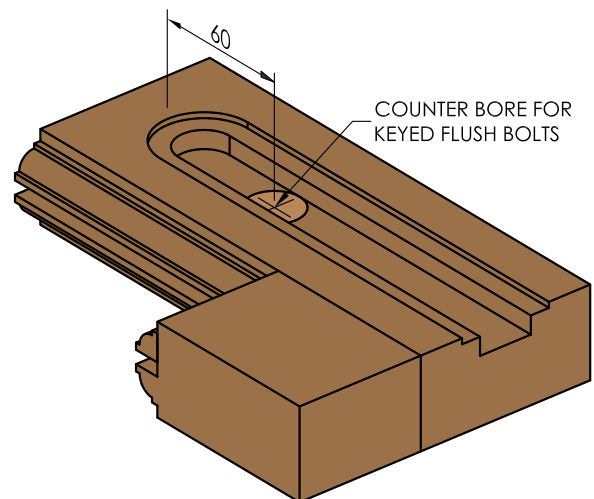
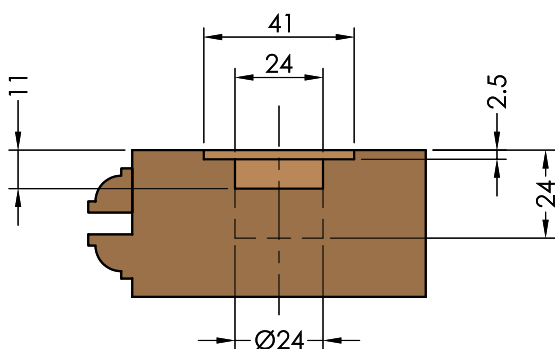


APPLICATIONS - Flush bolt locations in some typical configurations.



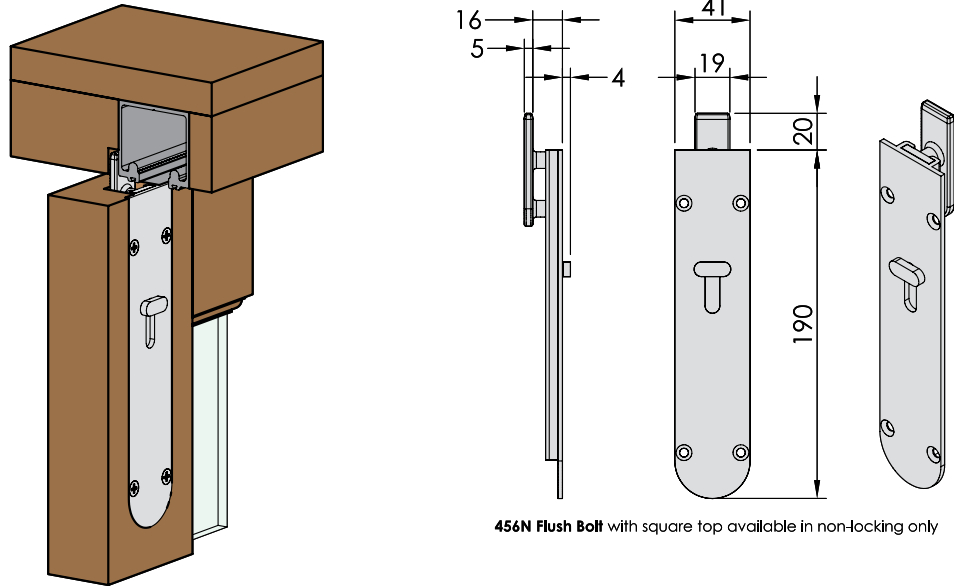
INSTALLATION

1. Cut slot with router bit.
2. Cut counter bore if keyed type.
3. Fit flush bolt to door
4. Fit keeper plate.

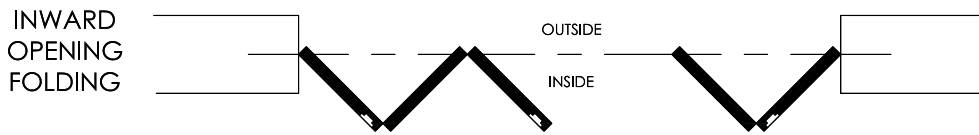


Architectural Details

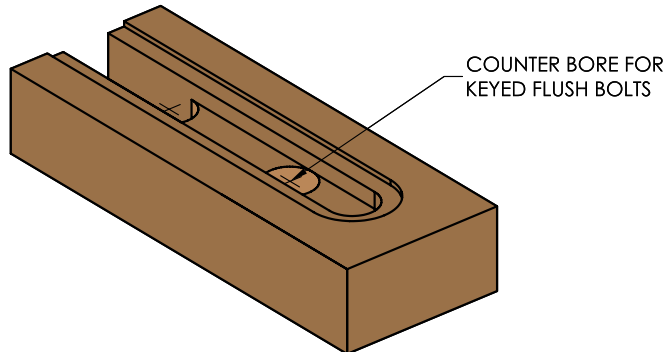
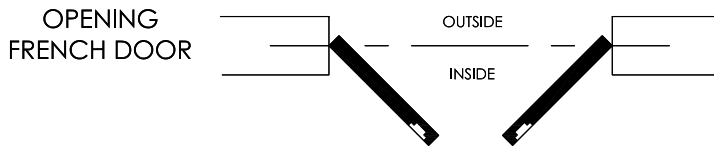
456RN and 456REN Offset Flush Bolts



APPLICATIONS - Flush bolt locations in some typical configurations

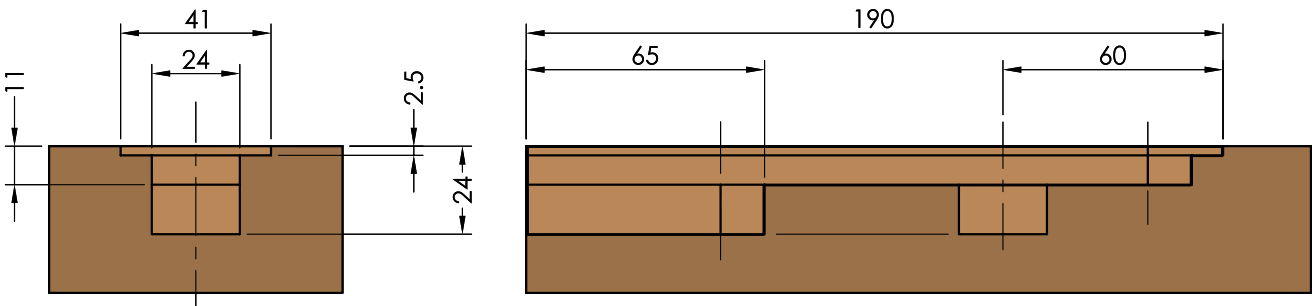


456RN & 456N Are fitted to the top of the door on inward opening folding applications only.



INSTALLATION

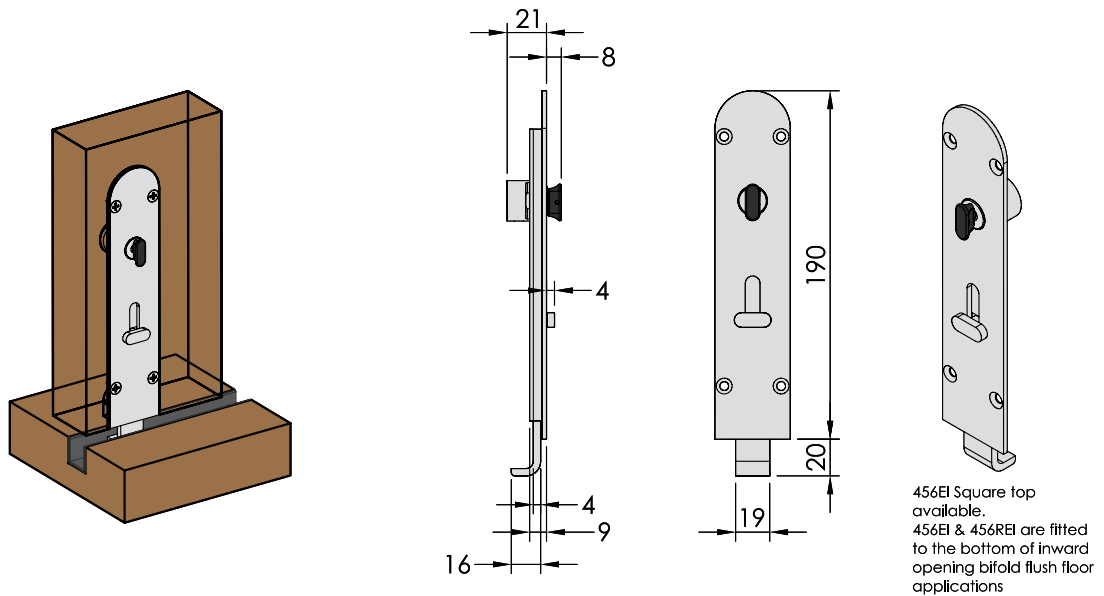
1. Cut slot with router bit.
2. Cut counter bore if keyed type.
3. Fit flush bolt to door.



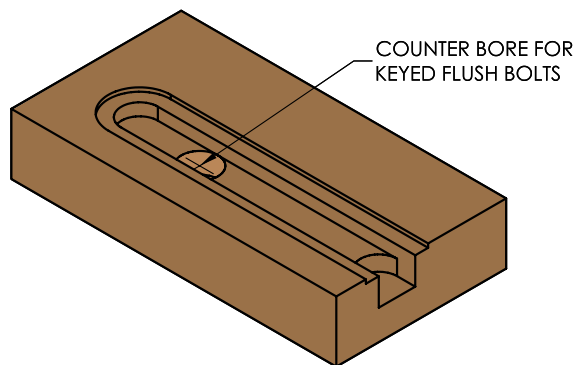
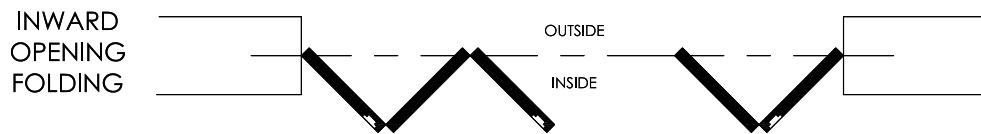
Architectural Details

456RI and 456REI Inward Opening Flush Bolts

(For use on inward opening folding system with no rebate stop)

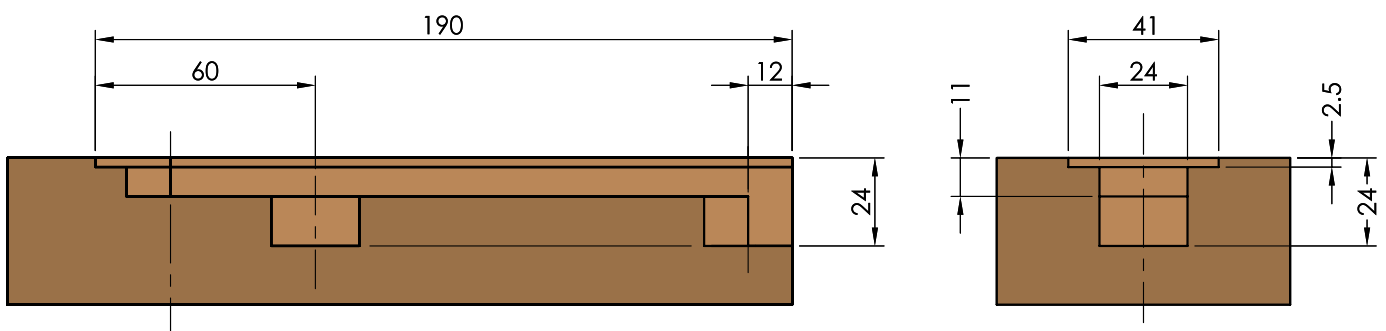


APPLICATIONS - Flush bolt locations in a typical inward opening configuration



INSTALLATION

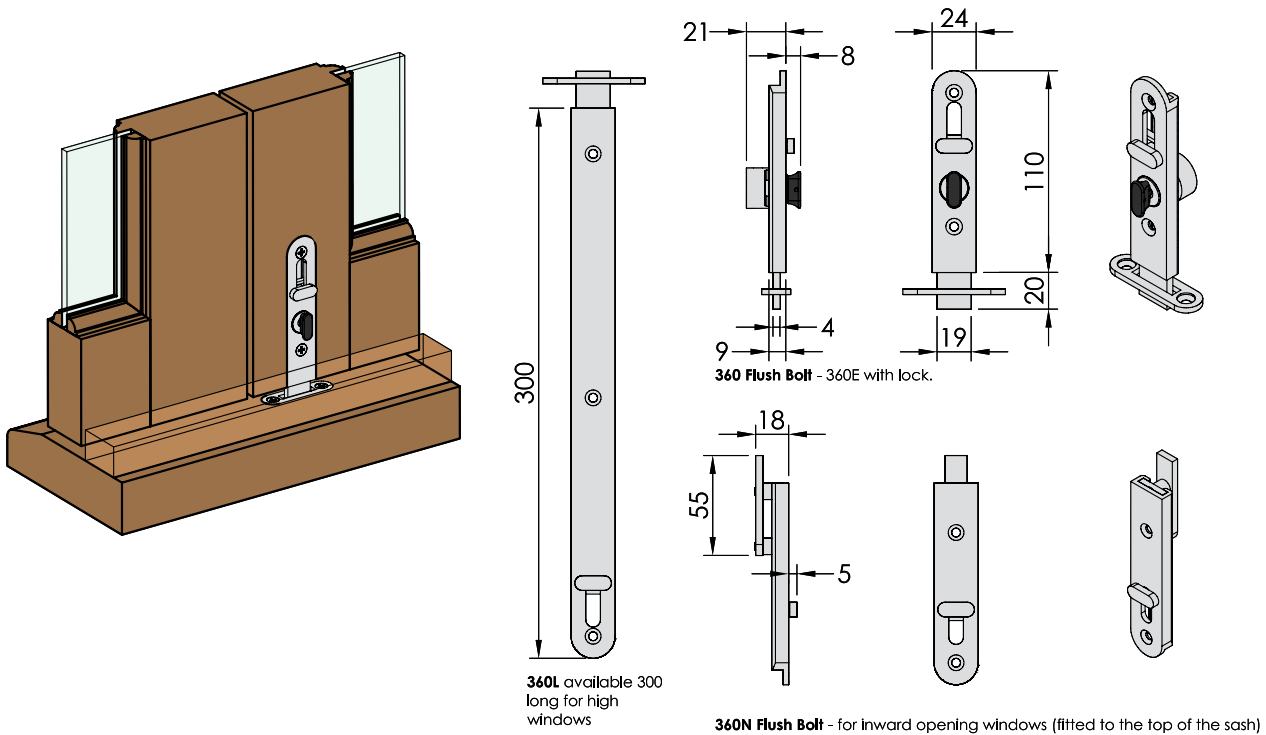
1. Cut slot with router bit.
2. Cut counter bore if keyed type.
3. Fit flush bolt to door.



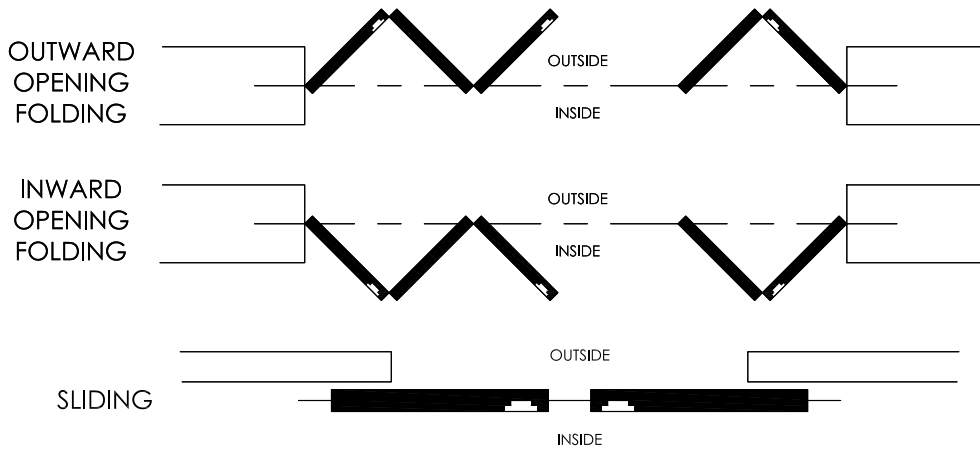
Architectural Details

360 and 360E Flush Bolts

For folding and sliding windows

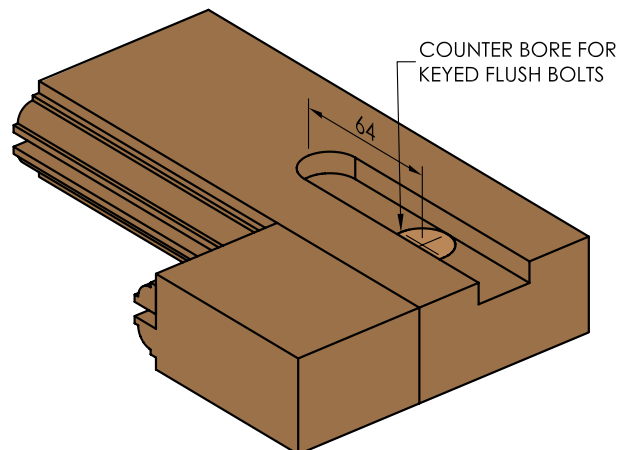
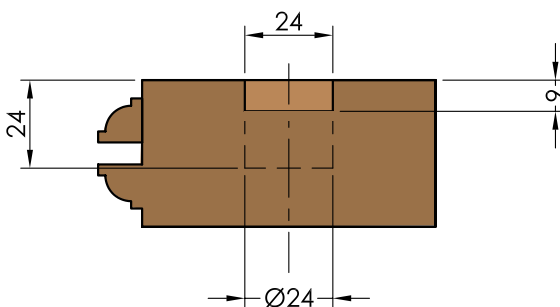


APPLICATIONS



INSTALLATION

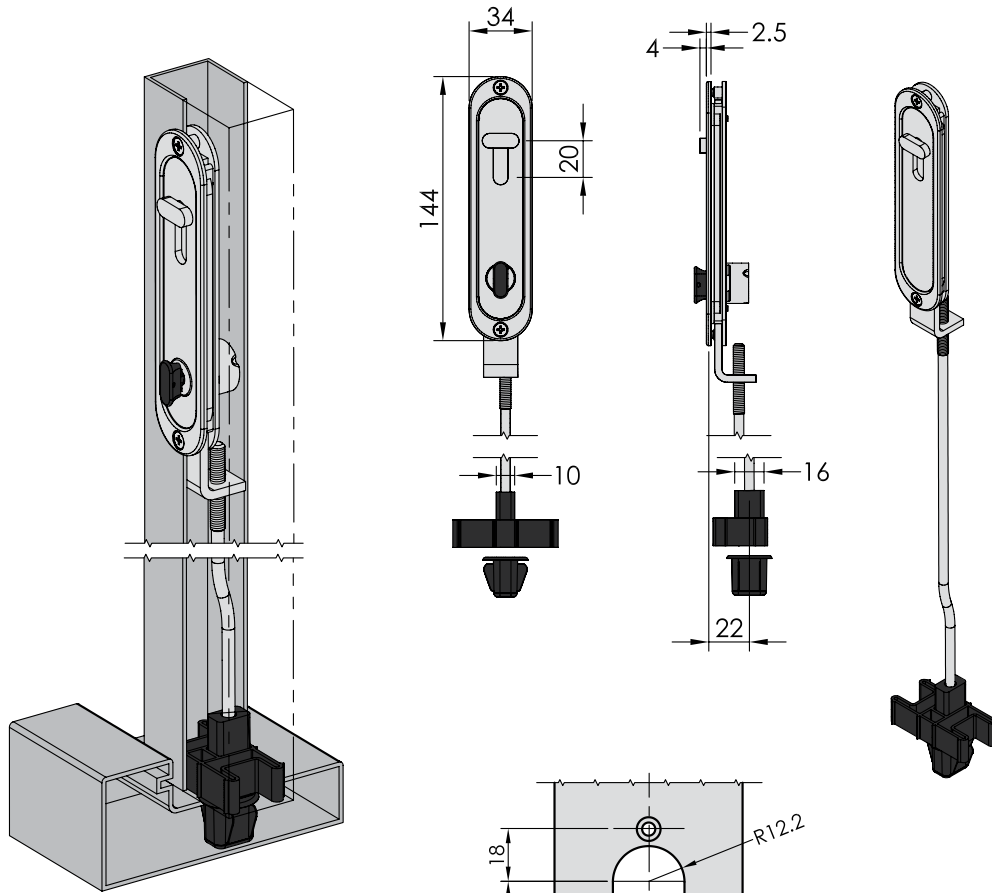
1. Cut slot with router bit.
2. Cut counter bore if keyed type.
3. Fit flush bolt to sash.
4. Fit keeper plate.



Architectural Details

512 and 512E Flush Bolts

For folding aluminium doors and frames



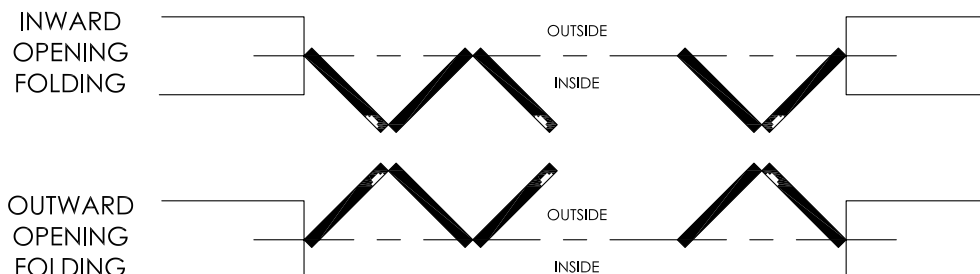
INSTALLATION

1. Cut slot, drill and countersink holes.
2. Fit flush bolt to door.
3. Adjust length of rod.
4. Fit end cap to stile.

KIT NUMBER	"X"
512SS-400	297mm
512SS-600	497mm
512SS-900	797mm

END OF STILE

APPLICATIONS - Flush bolt locations in a typical opening configurations.

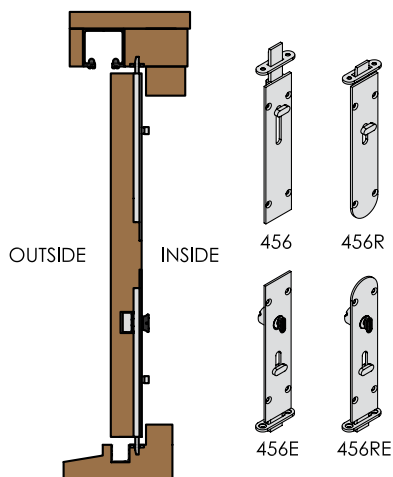


Flush Bolt Selection Guide

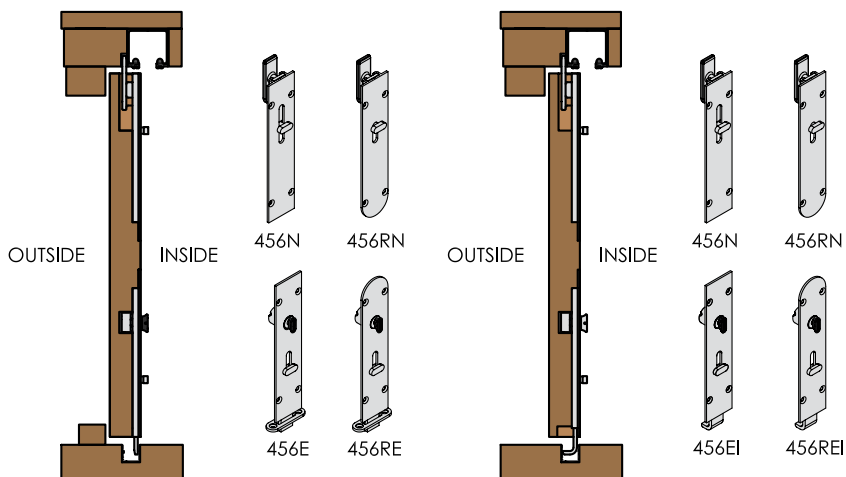
For Folding Doors, Windows & French Door Applications

Weatherfold Coastal Elite Folding Doors

OUTWARD OPENING

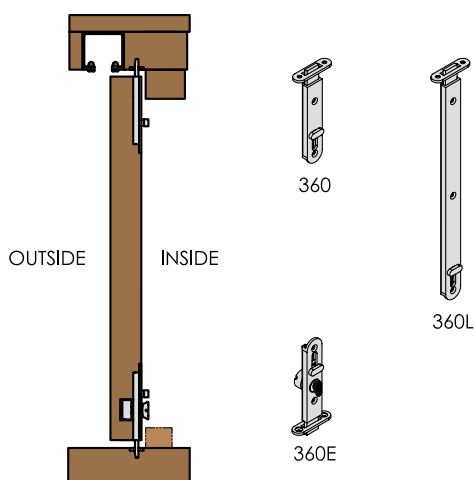


INWARD OPENING

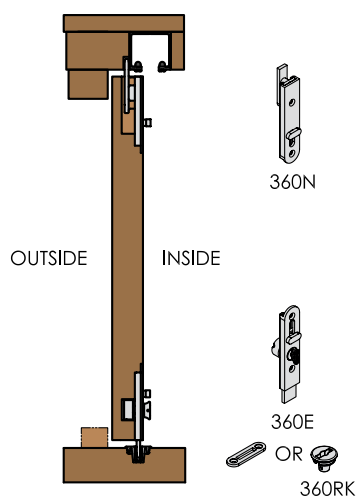


Weatherfold Window 20 / Servery 20 Folding Windows

OUTWARD OPENING

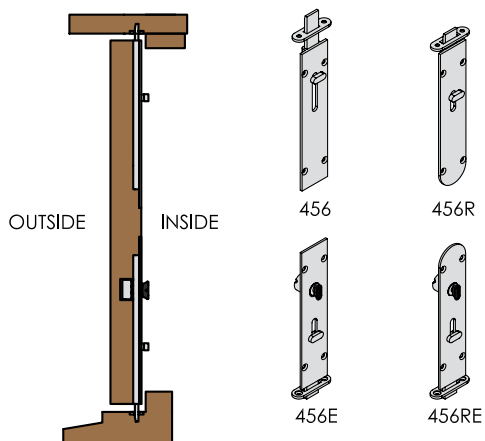


INWARD OPENING

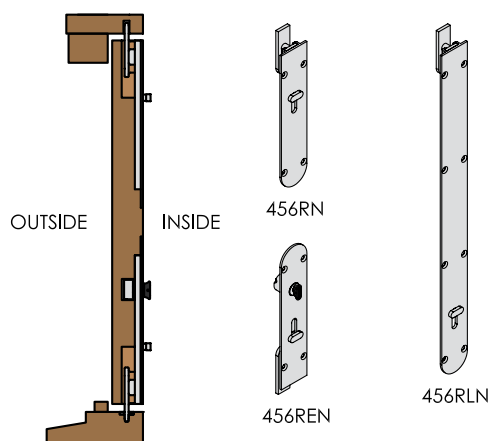


French Doors

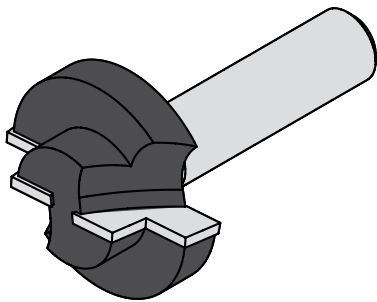
OUTWARD OPENING



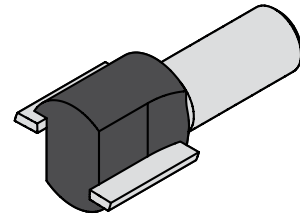
INWARD OPENING



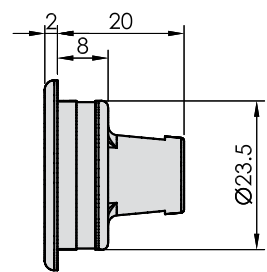
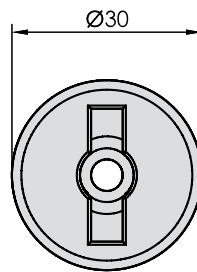
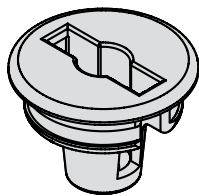
Flush Bolt Range Accessories



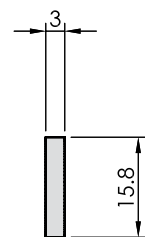
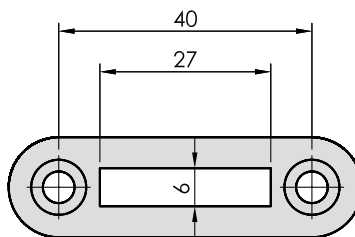
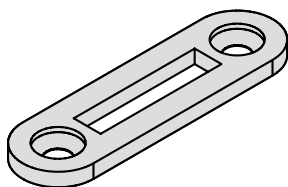
456 Router Bit - For timber doors



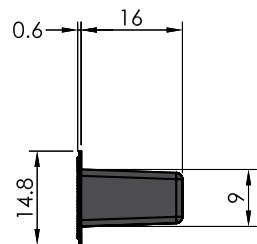
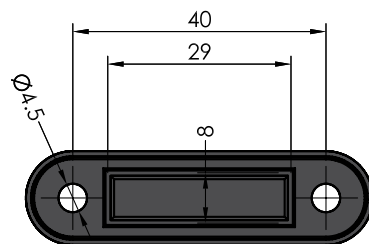
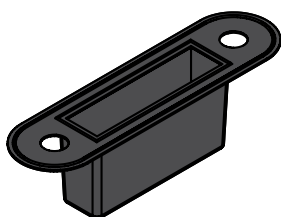
360 Router Bit - For timber doors



360RK Masonry Keeper - Stainless Steel - in PVD Brass, Satin & Polished Stainless



456RK Keeper Plate - Stainless Steel - in PVD Brass, Satin & Polished Nickel



456-DB Dust Box - Black Nylon

Brio®

Brio – Australia

PO Box 604, Chester Hill, 2162
C5 - C7, Regents Park Estate, 391 Park Road,
Regents Park, NSW 2143, Australia
Phone +61 2 8718 6718 Fax +61 2 8718 6719
www.brio.com.au
email: brío.sales@allegion.com

Brio – UK

Unit 30 Gateway West, Kingfisher Boulevard, Newburn Riverside,
Newcastle Upon Tyne, NE15 8NZ, United Kingdom
Phone +44 (0) 191 2291224 Fax +44 (0) 191 2677891
www.briouk.com
email: brío.sales.uk@allegion.com

Brio – USA

85 Mushroom Blvd
Rochester, NY 14623-3201
Toll Free +1 855 586 6251 Phone +1 585 319 5599 Fax +1 585 319 5741
www.briousa.com
email: brío.sales.usa@allegion.com

About Allegion

Allegion (NYSE: ALLE) is a global pioneer in the field of safety and security. We keep people and their property safe, wherever they are, bringing together simple solutions and advanced technology. Allegion is a \$2 billion company, with products sold in almost 130 countries. For more, visit www.brio.com.au



ALLEGION™

Brio ■ <FSH> ■ LCN ■ LEGGE ■ SCHLAGE

© 2013 Allegion
allegion.com