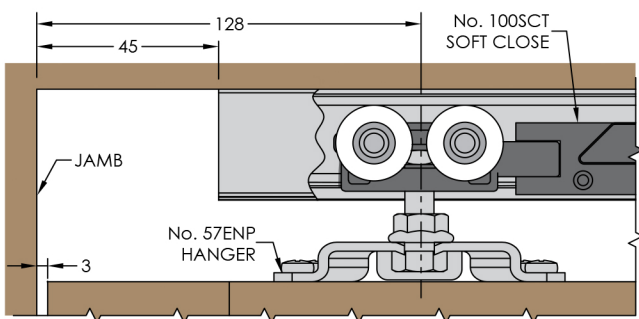
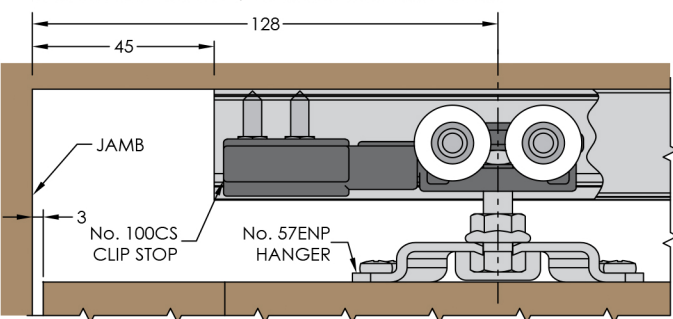


Single Run 80 and 100

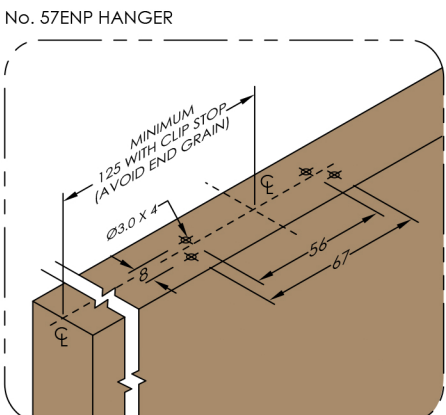
For top hung straight sliding panels, max 80kg or 100kg each

TRACK FIXING CENTRES
20mm FROM EACH END, 400mm MAXIMUM SPACINGS

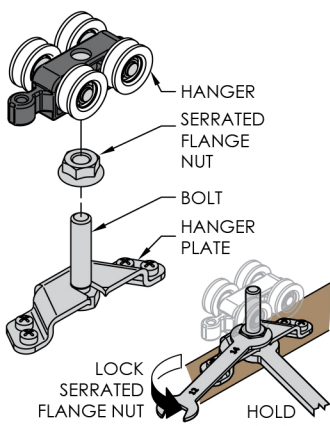


620 MIN PANEL WIDTH SINGLE SOFT CLOSE
970 MIN PANEL WIDTH FOR DOUBLE SOFT CLOSE

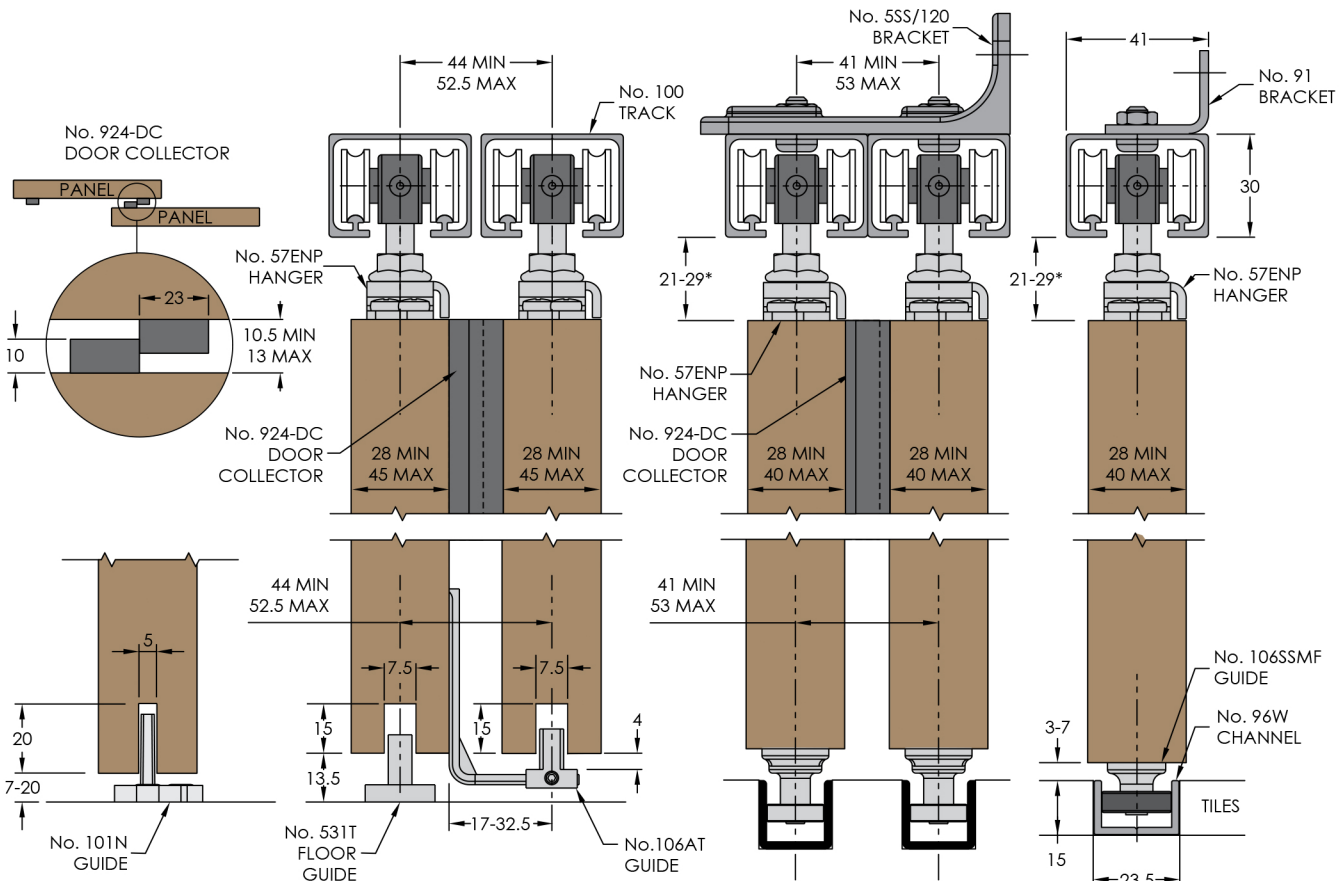
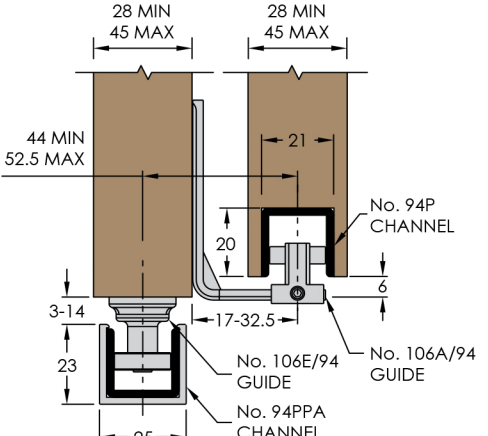
PANEL PREPARATION



HANGER ASSEMBLY



GUIDE OPTIONS



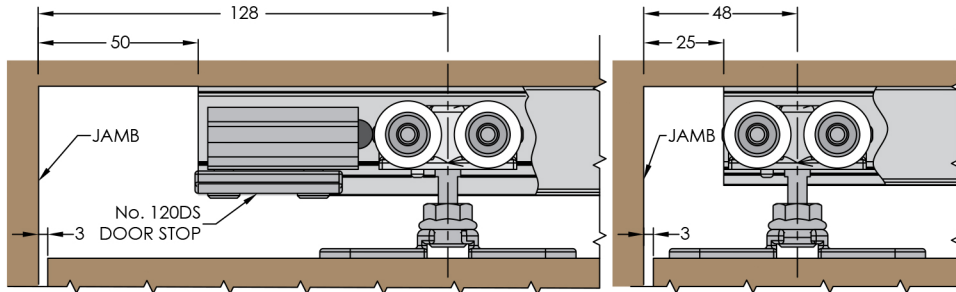
* WHEN USING No. 100SCT SOFT CLOSE, CLEARANCE 24-29

Single Run 120

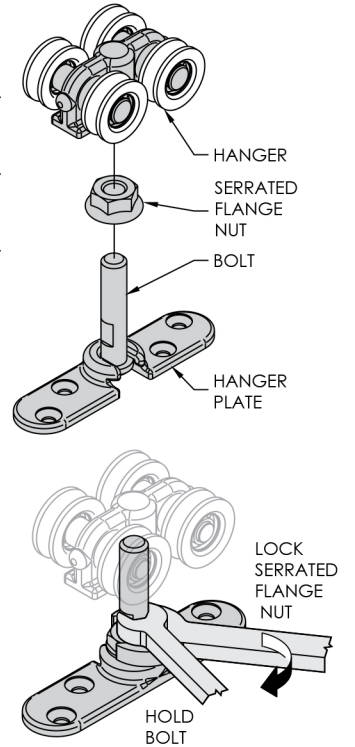
For top hung straight sliding panels, max 120kg each

TRACK FIXING CENTRES

20mm FROM EACH END, 400mm MAXIMUM



HANGER ASSEMBLY



PANEL PREPARATION

No. 57EN HANGER

No. 50EN HANGER

No. 58EN HANGER

