

Application

For residential and commercial folding windows where weatherproofing of the opening is required.

Weatherfold Servery 25 hardware is suitable for timber and aluminium systems.

Weatherfold Servery hangers are cast 316 marine grade stainless steel with precision stainless steel bearings and nylon wheels.

Panel Specification

Track System:	Weatherfold 4s Servery 25
Max Panel Height	1800mm
Max Panel Weight	25kg
Max Panel Width	650mm
Min Panel Thickness	35mm
Max Number of Panels	2 each direction

Hardware Specification

Track:	120A
Material	Aluminium, Mill or Clear Anodised
Standard Lengths	2000mm, 3000mm, 4000mm and 6000mm

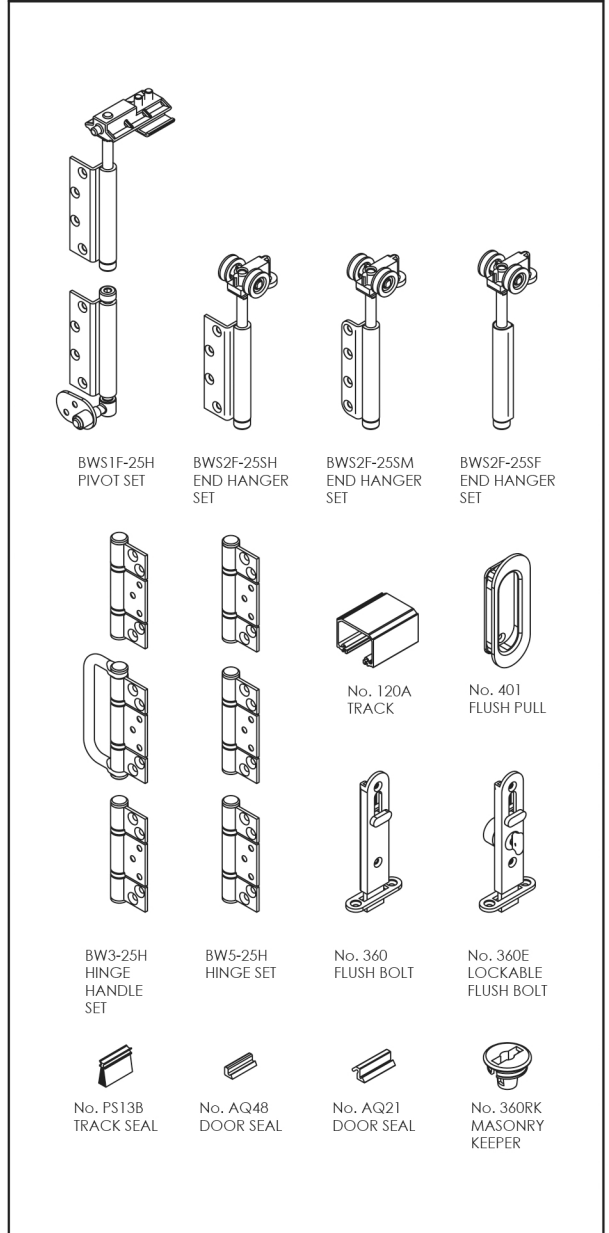
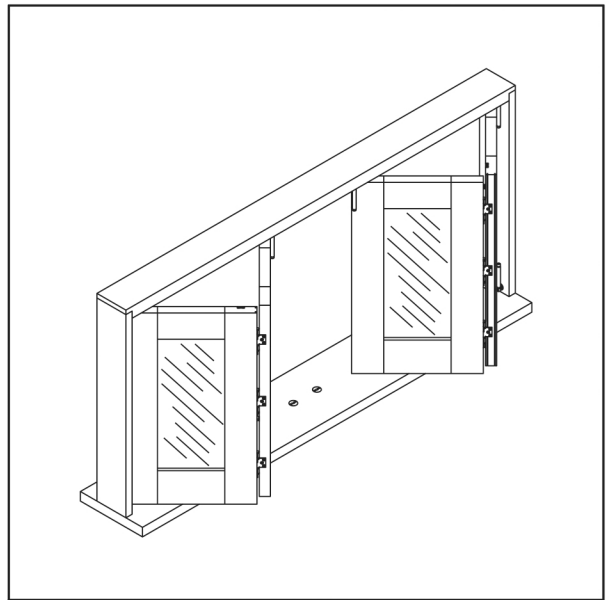
Hanger Sets:	
End Hanger - Aluminium	BWS2F-25SH
End Hanger - Timber	BWS2F-25SM

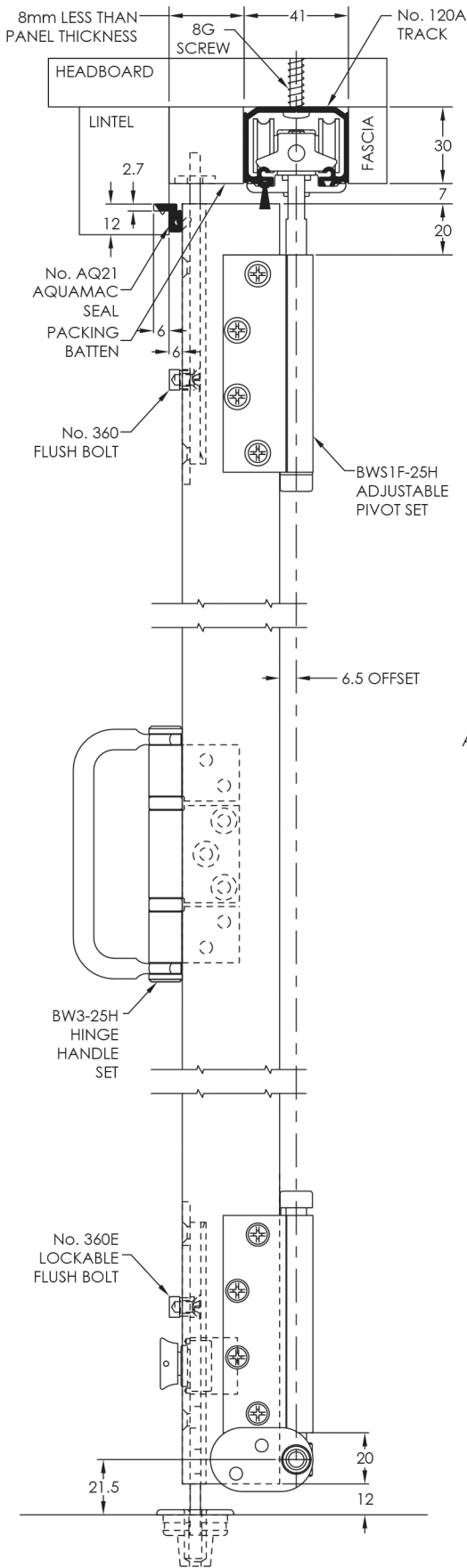
Pivot Sets:	
Top and Jamb Pivots	BWS1F-25H

Hinge Sets:	
Hinge Handle Set	BW3-25H
Hinge Set	BW5-25H

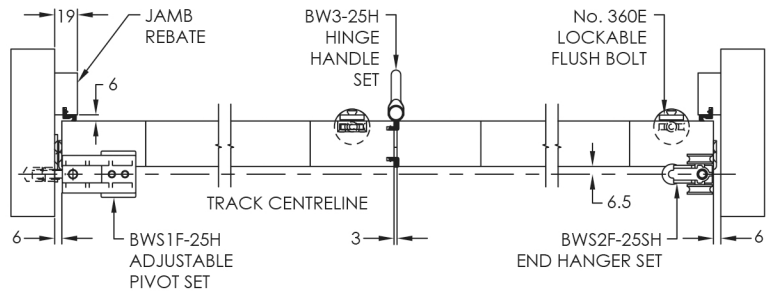
Accessories:	
Flush Pull	401
Flush Bolt Window Standard	360
Flush Bolt Window Lockable	360E
Flush Bolt Window Necked	360N
Flush Bolt Window Long	360L
Masonry Keeper	360RK
Flush Bolt - Aluminium	512
Flush Bolt - Lockable Aluminium	512E
Frame Seal	AQ21
Window Seal	AQ48
Track Seal	PS13B

Finish options
 Hardware: (SS) Satin Stainless, (PS) Polished Stainless
 Flush bolts: 360 (SN) Satin Nickel, (PN) Polished Nickel, 512 (SS) Satin Stainless Steel

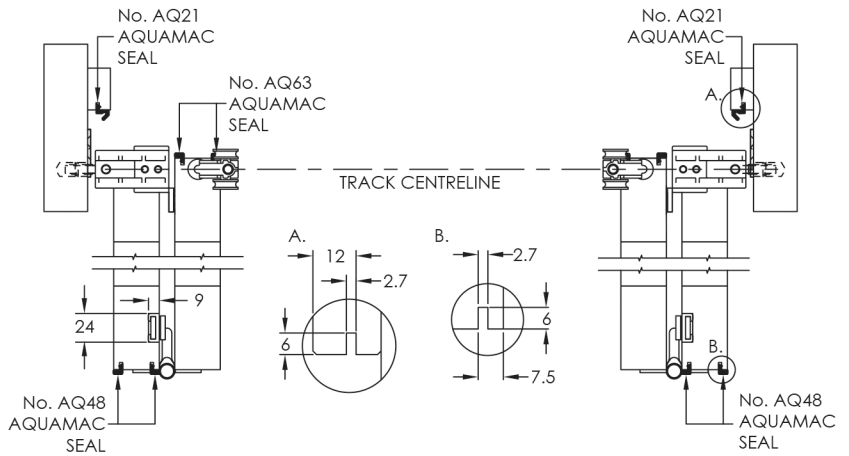




2+0 PANEL OUTWARD OPENING SYSTEM - CLOSED
(SHOWN WITHOUT TRACK OR HEAD SECTION)



2+2 PANEL OUTWARD OPENING SYSTEM - OPEN
(SHOWN WITHOUT TRACK OR HEAD SECTION)



2+2 PANEL OUTWARD OPENING SYSTEM - CLOSED
(TYPICAL OUTSIDE ELEVATION)

