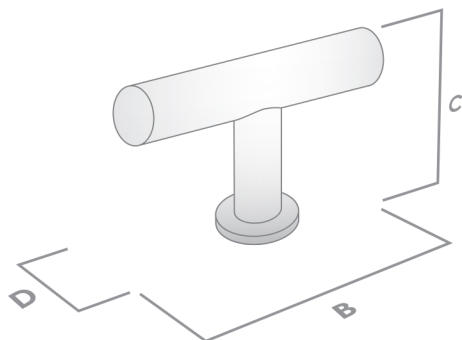


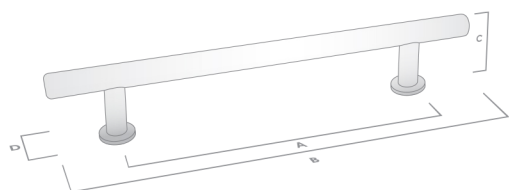
STIRLING

THE STATEMENT COLLECTION



STIRLING SOLID BRASS 'T' KNOB

FINISH	CODE	HC	L	W/D	P/H
Matt Black	220.050.04	-	50mm	10mm	35mm
Polished Chrome	220.050.06	-	50mm	10mm	35mm
Dull Brushed Nickel	220.050.10	-	50mm	10mm	35mm
Satin Brass	220.050.35	-	50mm	10mm	35mm
Bronze	220.050.47	-	50mm	10mm	35mm



STIRLING APPLIANCE PULL HANDLE

FINISH	CODE	HC	L	W/D	P/H
Matt Black	220.352.04	352mm	450mm	18mm	48mm
Polished Chrome	220.352.06	352mm	450mm	18mm	48mm
Dull Brushed Nickel	220.352.10	352mm	450mm	18mm	48mm
Satin Brass	220.352.35	352mm	450mm	18mm	48mm
Bronze	220.352.47	352mm	450mm	18mm	48mm

HC Hole Centres (A)
 L Overall Length (B)
 W/D Width or Diameter (D)
 P/H Projection or Height (C)

AVAILABLE FINISHES:



Matt Black



Satin Brass



Polished Chrome



Dull Brushed Nickel



Bronze