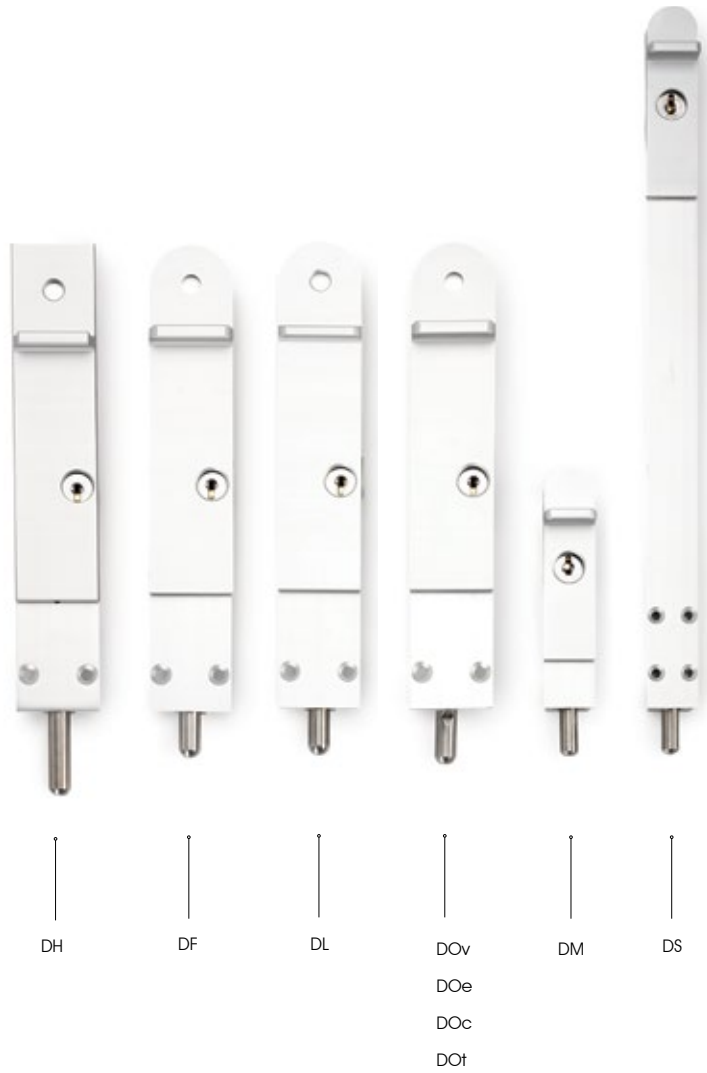


centor®



Centor Dropbolts

centor®



Dropbolt Styles

		DH					DF					DL											
		C	TG	L	N	P	W	X	C	TG	L	N	P	W	X	C	TG	L	N	P	W	X	
200	K
	NK
400	K
	NK
600	K
	NK
1000	K
	NK

- available finishes
- K keyed
- NK non keyed
- 100 – 1000 length of dropbolt
- TG PVD brass
- N natural anodised
- L black powdercoat
- Q bronze powdercoat
- W white powdercoat
- P custom powdercoat
- C chrome
- X brushed metallic

*Note that not all available options are stocked at all locations and may be subject to minimal order quantities and extended lead times. Please contact Centor Customer Service for current availability.

Dropbolt Styles

		DOv					DOe					DOc					DOT										
		C	TG	L	N	P	W	X	C	TG	L	N	P	W	X	C	TG	L	N	P	W	X	TG	N	Q	W	X
200	K	
	NK	
400	K	
	NK	
600	K	
	NK	
1000	K	
	NK	

Dropbolt Styles

		DM					DS								
		C	TG	L	N	P	W	X	C	TG	L	N	P	W	X
100	K
	NK
300	K
	NK

Creating Fastening Solutions

Centor's stylish keyed and non-keyed, flush-mounting dropbolts are the ideal solution for securing or fastening closed folding or sliding windows and doors. Produced to Centor's exacting standards for functionality, aesthetics and longevity, eight distinctive dropbolt ranges are available in lengths, styles and finishes to suit virtually any application.



Centor Dropbolts		Page
Door Dropbolts		
DH	square styling, 40mm throw, various lengths, for outward opening bifold doors, french doors and sliding doors	4
DF	rounded styling, 20mm throw, various lengths, for outward opening bifold doors, french doors and sliding doors	7
DL	low-profile rounded styling and 20mm throw, for parallel or cavity sliding doors	10
DO	rounded styling, 20mm throw, various lengths, various offsets, for inward opening bifold doors	13
Window Dropbolts		
DM	narrower rounded styling, 20mm throw and 100mm overall length, for bifold, sliding, casement and awning windows	22
DS	narrower rounded styling, 20mm throw and 300mm overall length, for tall or high reach bifold, sliding, casement and awning	25

Attractive and Functional

Bifold windows and doors, french doors, sliding doors and windows of all descriptions can benefit from the neat flush-mounted appearance and load-tested reassurance of Centor dropbolts. Closed windows and doors are firmly fastened in place with minimum fuss and maximum style.



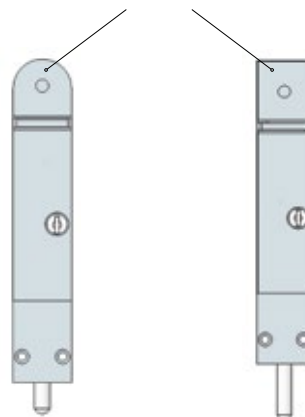
QUALITY APPEARANCE

Manufactured from aluminium with a solid stainless steel shaft a wide choice of finishes is available in each range allowing the dropbolts to contrast or tone in with the panel material, as well as the option of matching the dropbolts with exposed door or window hardware. Easily installed in timber panels with dedicated router bits, Centor's minimalist dropbolts avoid the untidy look of bolted on fasteners and ensure an appearance of the highest quality is maintained across an entire opening.

LOAD RATED

Impressive wind-load ratings mean Centor dropbolts will anchor windows and doors firmly in place, even in the most extreme weather conditions. All door dropbolt systems are rated to resist a 250 kilogram load when used in Western Red Cedar and 450 kilograms in Amoora. Window systems are rated to 200 kilograms. Centor is able to test door and window sections and provide a test certificate stating the rating actually achieved.

Rounded or square, dropbolt styling caters for all tastes.



Keyed or non-keyed, to suit virtually any application.

Security and Utility

The key to any good fastening system is ensuring the systems it complements can be easily put into use, while opportunity for misuse, or use by unwelcome parties is minimised. Innovative design features mean Centor dropbolts succeed in both enabling access, and denying it!



With bolt throws in lengths from 20mm to 40mm as well as offset throw bolts there's a Centor dropbolt for virtually every application.



SECURITY OPTIONS

Non-keyed options fasten doors against the elements and provide peace of mind against the casual intruder, while keyed dropbolts offer full 'deadlock' security. Thoughtful dead-bolt design means the bolt can only be released when the key has been removed, preventing damage to doors. Dropbolts are available keyed alike and can be rekeyed to match other household locks by a professional locksmith.

ACCESSIBILITY

Whether installed at the top or bottom of doors or windows, Centor dropbolts need never be out of reach. With a choice of lengths available across each range, easy operation is assured for every potential user.

WARRANTY

Like all Centor products, every dropbolt is covered by a ten-year warranty against manufacturing defects.

Standard profile grip for easy dropbolt handling.



Low profile grip solves clearance issues for parallel and cavity-sliding doors.



Centor DH Dropbolt

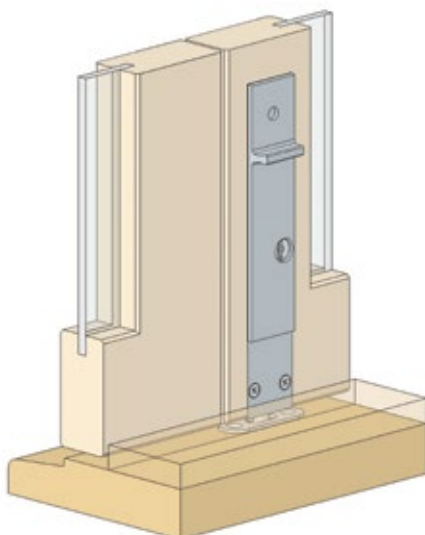
Suited to outward opening bifold doors, french doors and sliding doors, Centor DH features an extended 40mm throw. DH can be specified in any appropriate application where its distinctive square-edged styling is preferred.

DH SPECIFICATIONS	
max wind load	450kg force
min door thickness	35mm
security	keyed, non-keyed
dropbolt lengths	200/400mm
throw length	40mm
finishes	PVD brass brushed metallic black powdercoat white powdercoat

DH dropbolts will resist high winds and are rated to resist a 250kg load in Western Red Cedar and 450kg in Amora. DH features a unique damage-proof mechanism for bifold doors which prevents the bolt being operated if the key is left in the lock. The bolts are easily installed with a dedicated router bit. The bolts are supplied keyed alike and may be rekeyed by a professional locksmith.

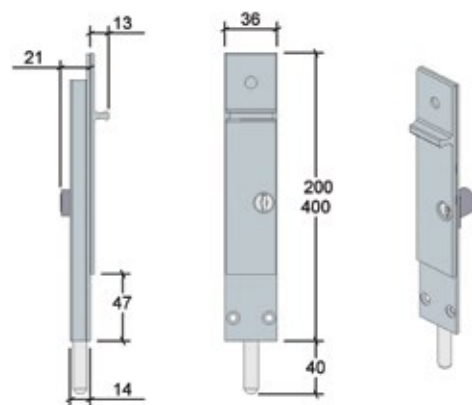


Architectural Detail



Patent granted

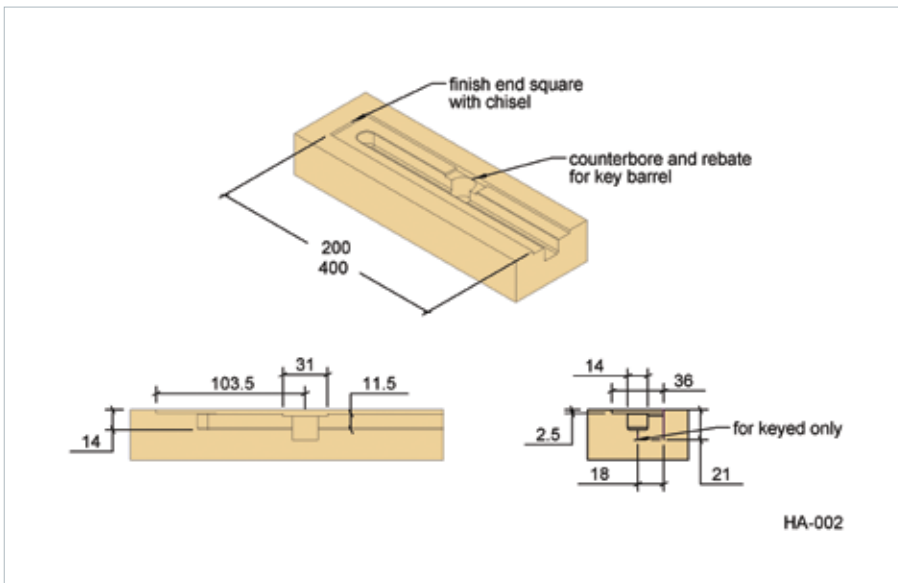
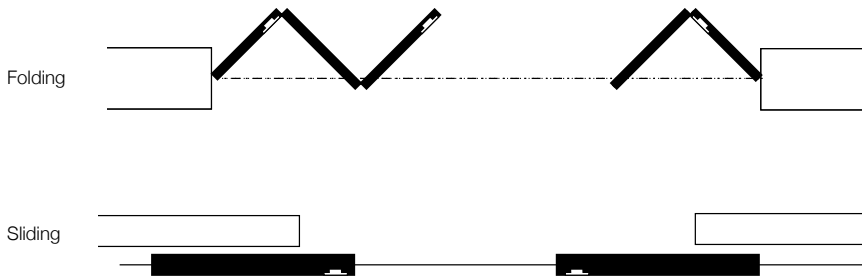
DH dropbolt assembly



HA-001.DXF


INSTALLATION

Dropbolts locations in some typical configurations.




Centor DH Dropbolt CONTINUED


DH / KEYED

PARTS	PRODUCT CODE	DESCRIPTION
	DBHA200KSTG	200mm dropbolt, keyed, PVD brass
	DBHA200KSX	200mm dropbolt, keyed, brushed metallic
	DBHA200KSL	200mm dropbolt, keyed, black powdercoat
	DBHA200KSW	200mm dropbolt, keyed, white powdercoat
	DBHA400KSTG	400mm dropbolt, keyed, PVD brass
	DBHA400KSX	400mm dropbolt, keyed, brushed metallic
	DBHA400KSL	400mm dropbolt, keyed, black powdercoat
	DBHA400KSW	400mm dropbolt, keyed, white powdercoat


DH / NON-KEYED

PARTS	PRODUCT CODE	DESCRIPTION
	DBHA200NSTG	200mm dropbolt, non-keyed, PVD brass
	DBHA200NSX	200mm dropbolt, non-keyed, brushed metallic
	DBHA200NSL	200mm dropbolt, non-keyed, black powdercoat
	DBHA200NSW	200mm dropbolt, non-keyed, white powdercoat
	DBHA400NSTG	400mm dropbolt, non-keyed, PVD brass
	DBHA400NSX	400mm dropbolt, non-keyed, brushed metallic
	DBHA400NSL	400mm dropbolt, non-keyed, black powdercoat
	DBHA400NW	400mm dropbolt, non-keyed, white powdercoat

ROUTER BIT

PARTS	PRODUCT CODE	DESCRIPTION
	DBFORB	dedicated router bit for professional installation of Centor DH, DF, DL and DO dropbolts

CUPS

PARTS	PRODUCT CODE	DESCRIPTION
	DBCS	dropbolt cup, stainless steel
	DBCTG	dropbolt cup, PVD brass

Centor DF Dropbolt

Suited to outward opening bifold doors, french doors and sliding doors, Centor DF comes with a 20mm throw and rounded styling. An extensive range of lengths (to 1000mm) and finishes are available.

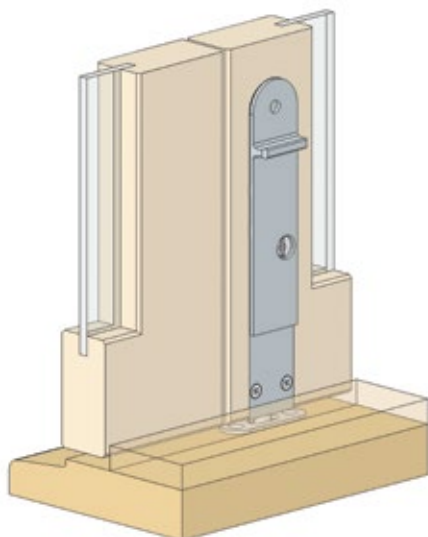
DF SPECIFICATIONS	
max wind load	450kg force
min door thickness	35mm
security	keyed, non-keyed
dropbolt lengths	200/400/600/1000mm
throw length	20mm
finishes	PVD brass natural anodised black powdercoat white powdercoat custom powdercoat* chrome brushed metallic

*Custom powdercoat available by special order.

DF dropbolts will resist high winds and is rated to resist a 250kg load in Western Red Cedar and 450kg in Amoor. Centor can provide a test certificate on application. DF features a unique damage-proof mechanism for bifold doors which prevents the bolt being operated if the key is left in the lock. The bolts are easily installed with a dedicated router bit and are available in PVD brass, brushed metallic, chrome, natural anodised and custom powdercoat finishes. The bolts are available keyed alike and may be rekeyed by a professional locksmith.

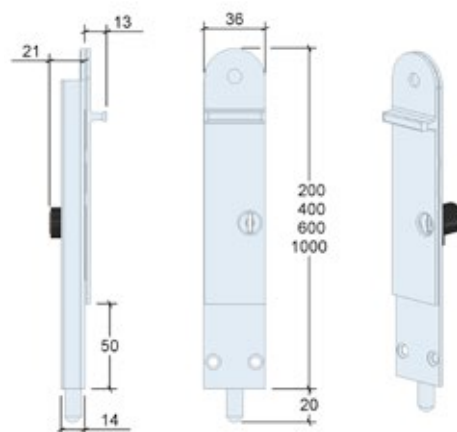


Architectural Detail



Patent granted

DF dropbolt assembly



FO-001.DXF


Centor DF Dropbolt CONTINUED

INSTALLATION

Dropbolts locations in some typical configurations.




DF / KEYED


PARTS	PRODUCT CODE	DESCRIPTION
	DBFO200KRTG	200mm dropbolt, keyed, PVD brass
	DBFO200KRN	200mm dropbolt, keyed, natural anodised
	DBFO200KRL	200mm dropbolt, keyed, black powdercoat
	DBFO200KRW	200mm dropbolt, keyed, white powdercoat
	DBFO200KRPC	200mm dropbolt, keyed, custom powdercoat
	DBFO200KRC	200mm dropbolt, keyed, chrome
	DBFO200KRX	200mm dropbolt, keyed, brushed metallic
	DBFO400KRTG	400mm dropbolt, keyed, PVD brass
	DBFO400KRN	400mm dropbolt, keyed, natural anodised
	DBFO400KRL	400mm dropbolt, keyed, black powdercoat
	DBFO400KRW	400mm dropbolt, keyed, white powdercoat
	DBFO400KRPC	400mm dropbolt, keyed, custom powdercoat
	DBFO400KRC	400mm dropbolt, keyed, chrome
	DBFO400KRX	400mm dropbolt, keyed, brushed metallic
	DBFO600KRTG	600mm dropbolt, keyed, PVD brass
	DBFO600KRN	600mm dropbolt, keyed, natural anodised
	DBFO600KRL	600mm dropbolt, keyed, black powdercoat
	DBFO600KRW	600mm dropbolt, keyed, white powdercoat
	DBFO600KRPC	600mm dropbolt, keyed, custom powdercoat
	DBFO600KRC	600mm dropbolt, keyed, chrome
DBFO600KRX	600mm dropbolt, keyed, brushed metallic	

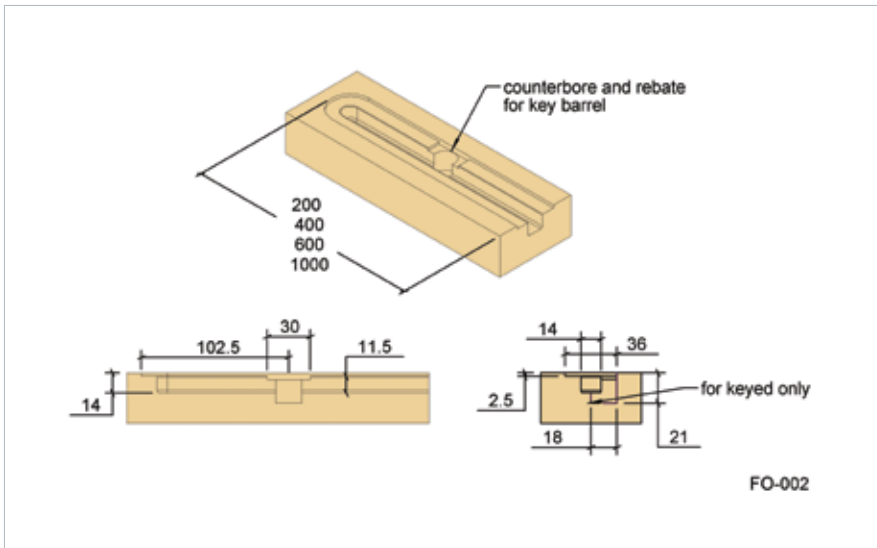
Custom powdercoat available by special order.

ROUTER BIT


PARTS	PRODUCT CODE	DESCRIPTION
	DBFORB	dedicated router bit for professional installation of Centor DH, DF, DL, and DO dropbolts

CUPS

PARTS	PRODUCT CODE	DESCRIPTION
	DBCS	dropbolt cup, stainless steel
	DBCTG	dropbolt cup, PVD brass



DF / NON-KEYED

PARTS	PRODUCT CODE	DESCRIPTION
	DBFO200NRTG	200mm dropbolt, non-keyed, PVD brass
	DBFO200NRN	200mm dropbolt, non-keyed, natural anodised
	DBFO200NRL	200mm dropbolt, non-keyed, black powdercoat
	DBFO200NRW	200mm dropbolt, non-keyed, white powdercoat
	DBFO200NRPC	200mm dropbolt, non-keyed, custom powdercoat
	DBFO200NRC	200mm dropbolt, non-keyed, chrome
	DBFO200NRX	200mm dropbolt, non-keyed, brushed metallic
	DBFO400NRTG	400mm dropbolt, non-keyed, PVD brass
	DBFO400NRN	400mm dropbolt, non-keyed, natural anodised
	DBFO400NRL	400mm dropbolt, non-keyed, black powdercoat
	DBFO400NRW	400mm dropbolt, non-keyed, white powdercoat
	DBFO400NRPC	400mm dropbolt, non-keyed, custom powdercoat
	DBFO400NRC	400mm dropbolt, non-keyed, chrome
	DBFO400NRX	400mm dropbolt, non-keyed, brushed metallic
	DBFO600NRTG	600mm dropbolt, non-keyed, PVD brass
	DBFO600NRN	600mm dropbolt, non-keyed, natural anodised
	DBFO600NRL	600mm dropbolt, non-keyed, black powdercoat
	DBFO600NRW	600mm dropbolt, non-keyed, white powdercoat
	DBFO600NRPC	600mm dropbolt, non-keyed, custom powdercoat
	DBFO600NRC	600mm dropbolt, non-keyed, chrome
DBFO600NRX	600mm dropbolt, non-keyed, brushed metallic	
DBFO1000NRN	1000mm dropbolt, non-keyed, natural anodised	
DBFO1000NRL	1000mm dropbolt, non-keyed, black powdercoat	
DBFO1000NRW	1000mm dropbolt, non-keyed, white powdercoat	
DBFO1000NRPC	1000mm dropbolt, non-keyed, custom powdercoat	
DBFO1000NRX	1000mm dropbolt, non-keyed, brushed metallic	

Custom powdercoat available by special order.

Centor DL Dropbolt

Designed specifically for use with sliding doors, Centor DL features a low profile hand-grip to ensure clearance in parallel or cavity sliding applications. Rounded styling and a 20mm throw complete the package.

DL SPECIFICATIONS

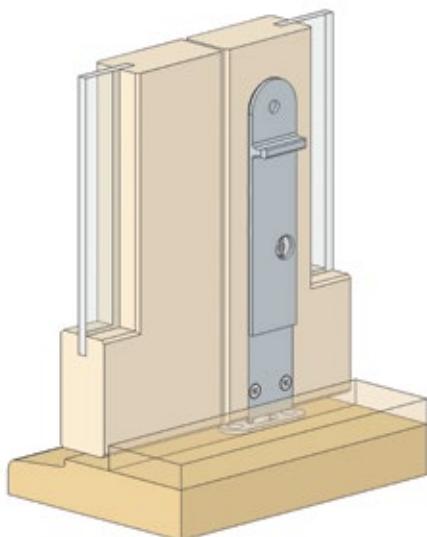
max wind load	450kg force
min door thickness	35mm
security	keyed, non-keyed
dropbolt lengths	200/400mm
throw length	20mm
finishes	PVD brass natural anodised black powdercoat white powdercoat custom powdercoat* chrome brushed metallic

*Custom powdercoat available by special order.

A range of keyed and non-keyed flush-mounting dropbolts with round styled and 20mm throw designed for use with sliding doors. DL will resist high winds and is rated to resist a 250kg load in Western Red Cedar and 450kg in Amoora. Centor can provide a test certificate on application. DL features a unique damage-proof mechanism for sliding doors which prevents the bolt being operated if the key is left in the lock. The bolts are easily installed with a dedicated router bit and are available in PVD brass, brushed metallic, natural anodised, chrome and powdercoat finishes. The bolts are available keyed alike and may be rekeyed by a professional locksmith.

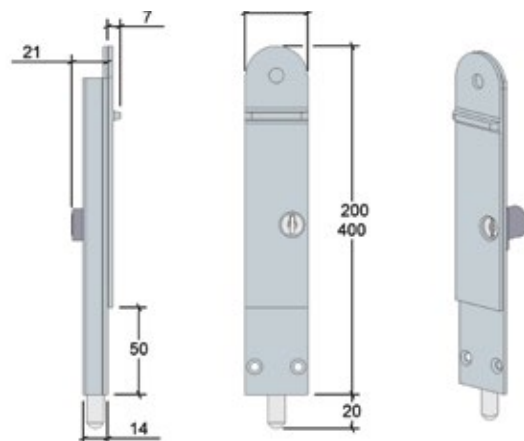


Architectural Detail



Patent granted

DL dropbolt assembly



FL-001.DXF

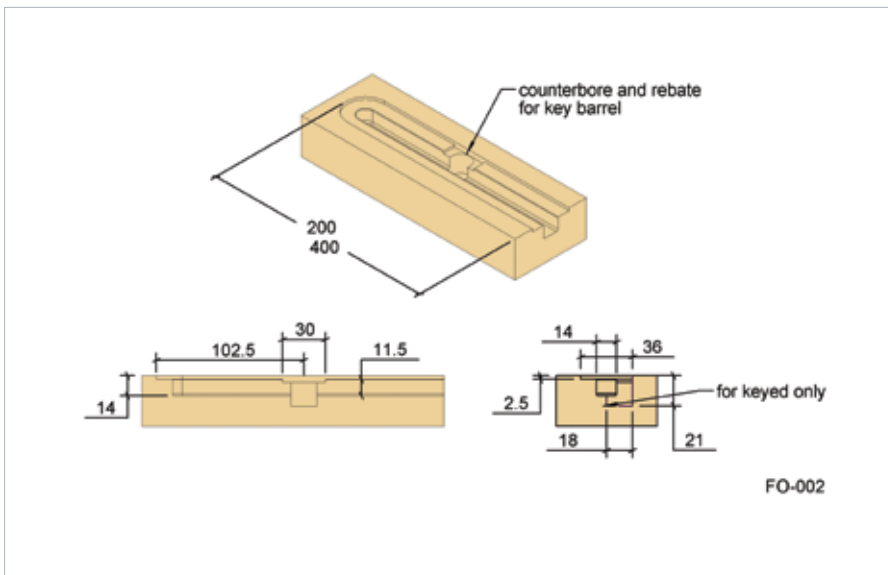
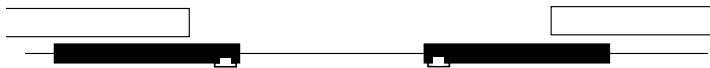
INSTALLATION

Dropbolts locations in some typical configurations.

Bi-passing sliding




Sliding




Centor DL Dropbolt CONTINUED

DL / KEYED

PARTS	PRODUCT CODE	DESCRIPTION
	DBFL200KRTG	200mm dropbolt, low profile, keyed, PVD brass
	DBFL200KRN	200mm dropbolt, low profile, keyed, natural anodised
	DBFL200KRL	200mm dropbolt, low profile, keyed, black powdercoat
	DBFL200KRW	200mm dropbolt, low profile, keyed, white powdercoat
	DBFL200KRPC	200mm dropbolt, low profile, keyed, custom powdercoat
	DBFL200KRC	200mm dropbolt, low profile, keyed, chrome
	DBFL200KRX	200mm dropbolt, low profile, keyed, brushed metallic
	DBFL400KRTG	400mm dropbolt, low profile, keyed, PVD brass
	DBFL400KRN	400mm dropbolt, low profile, keyed, natural anodised
	DBFL400KRX	400mm dropbolt, low profile, keyed, brushed metallic


Custom powdercoat available by special order.

DL / NON-KEYED


PARTS	PRODUCT CODE	DESCRIPTION
	DBFL200NRTG	200mm dropbolt, low profile, non-keyed, PVD brass
	DBFL200NRN	200mm dropbolt, low profile, non-keyed, natural anodised
	DBFL200NRL	200mm dropbolt, low profile, non-keyed, black powdercoat
	DBFL200NRW	200mm dropbolt, low profile, non-keyed, white powdercoat
	DBFL200NRPC	200mm dropbolt, low profile, non-keyed, custom powdercoat
	DBFL200NRC	200mm dropbolt, low profile, non-keyed, chrome
	DBFL200NRX	200mm dropbolt, low profile, non-keyed, brushed metallic
	DBFL400NRTG	400mm dropbolt, low profile, non-keyed, PVD brass
	DBFL400NRN	400mm dropbolt, low profile, non-keyed, natural anodised
	DBFL400NRX	400mm dropbolt, low profile, non-keyed, brushed metallic

Custom powdercoat available by special order.

ROUTER BIT

PARTS	PRODUCT CODE	DESCRIPTION
	DBFORB	dedicated router bit for professional installation of Centor DH, DF, DL and DO dropbolts

CUPS

PARTS	PRODUCT CODE	DESCRIPTION
	DBCS	dropbolt cup, stainless steel
	DBCTG	dropbolt cup, PVD brass

Centor DO Dropbolt (for inward opening)

Designed specifically for use with inward opening bifold and French doors, Centor DO comes into its own wherever an offset bolt is required. It features rounded styling and an extensive range of lengths and finishes.

DO SPECIFICATIONS	
max wind load	450kg force
min door thickness	35mm (DOv) 45mm (DOe)
security	keyed, non-keyed
dropbolt lengths	200/400/600/1000mm
throw length	20mm (DBOC) 25mm (DBOE, DBOV and DBOT)
finishes	PVD brass natural anodised black powdercoat bronze powdercoat white powdercoat custom powdercoat* chrome brushed metallic

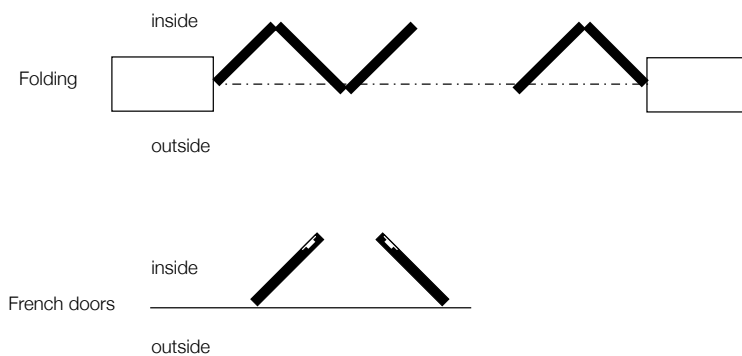
*Custom powdercoat available by special order.

DO Dropbolt offers all the style and security of the DF but with its offset bolt is designed for inward opening applications such as french doors, entry doors or inward opening bifold doors.

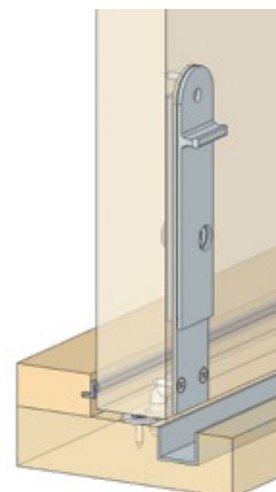


INSTALLATION

Dropbolts locations in some typical configurations.



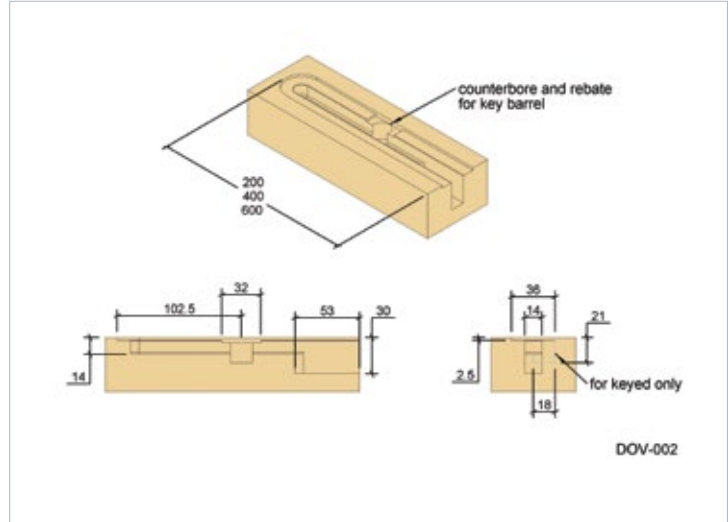
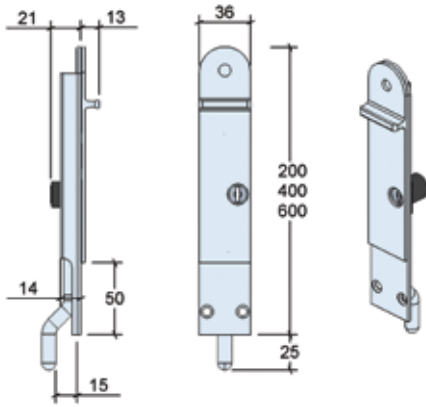
Architectural Detail



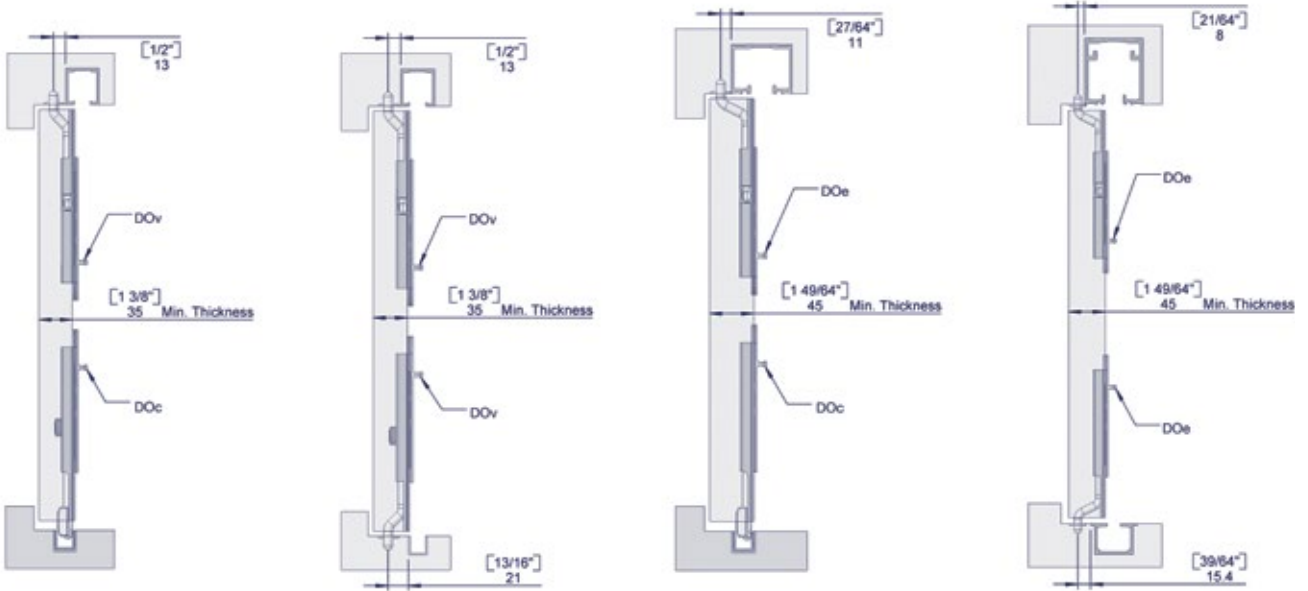
Patent granted

Centor DOv Dropbolt

DOv dropbolt assembly



Inward Opening Door Configurations



E2+ Concealed Guide

E2+ Straight Guide

E3 Concealed Guide


E4 Straight Guide

DOV / KEYED

PARTS	PRODUCT CODE	DESCRIPTION
	DBOV200KRTG	200mm dropbolt, keyed, PVD brass
	DBOV200KRN	200mm dropbolt, keyed, natural anodised
	DBOV200KRL	200mm dropbolt, keyed, black powdercoat
	DBOV200KRW	200mm dropbolt, keyed, white powdercoat
	DBOV200KRPC	200mm dropbolt, keyed, custom powdercoat
	DBOV200KRC	200mm dropbolt, keyed, chrome
	DBOV200KRX	200mm dropbolt, keyed, brushed metallic
	DBOV400KRTG	400mm dropbolt, keyed, PVD brass
	DBOV400KRN	400mm dropbolt, keyed, natural anodised
	DBOV400KRL	400mm dropbolt, keyed, black powdercoat
	DBOV400KRW	400mm dropbolt, keyed, white powdercoat
	DBOV400KRPC	400mm dropbolt, keyed, custom powdercoat
	DBOV400KRC	400mm dropbolt, keyed, chrome
	DBOV400KRX	400mm dropbolt, keyed, brushed metallic
	DBOV600KRX	600mm dropbolt, keyed, brushed metallic

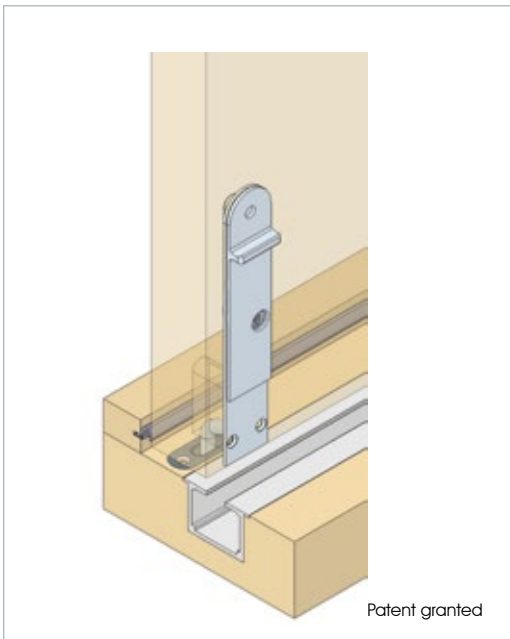
Custom powdercoat available by special order.

DOV / NON-KEYED

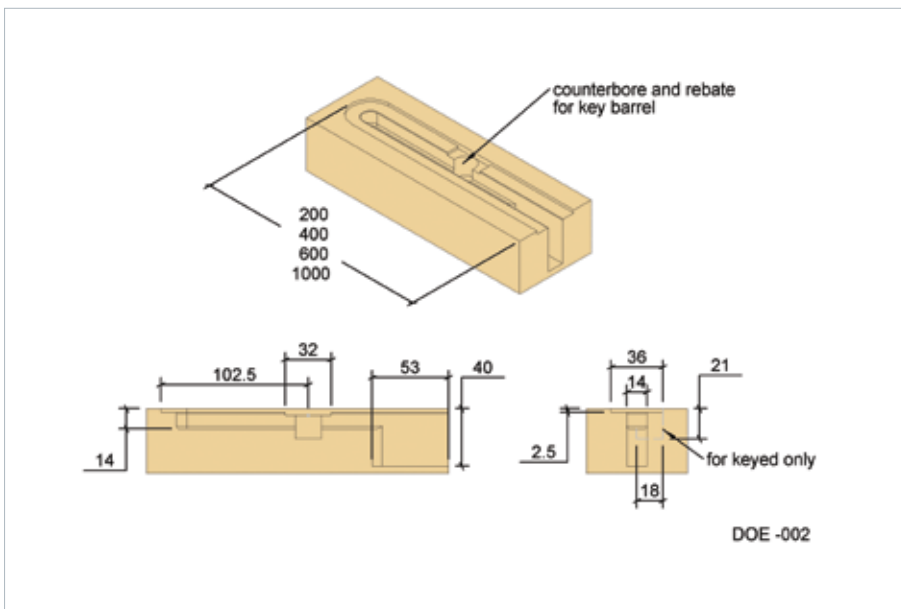
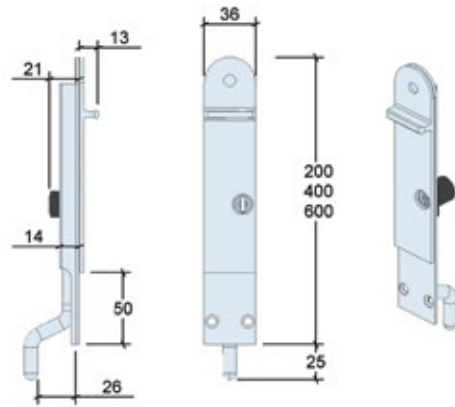
PARTS	PRODUCT CODE	DESCRIPTION
	DBOV200NRTG	200mm dropbolt, non-keyed, PVD brass
	DBOV200NRN	200mm dropbolt, non-keyed, natural anodised
	DBOV200NRL	200mm dropbolt, non-keyed, black powdercoat
	DBOV200NRW	200mm dropbolt, non-keyed, white powdercoat
	DBOV200NRPC	200mm dropbolt, non-keyed, custom powdercoat
	DBOV200NRC	200mm dropbolt, non-keyed, chrome
	DBOV200NRX	200mm dropbolt, non-keyed, brushed metallic
	DBOV400NRTG	400mm dropbolt, non-keyed, PVD brass
	DBOV400NRN	400mm dropbolt, non-keyed, natural anodised
	DBOV400NRL	400mm dropbolt, non-keyed, black powdercoat
	DBOV400NRW	400mm dropbolt, non-keyed, white powdercoat
	DBOV400NRPC	400mm dropbolt, non-keyed, custom powdercoat
	DBOV400NRC	400mm dropbolt, non-keyed, chrome
	DBOV400NRX	400mm dropbolt, non-keyed, brushed metallic
	DBOV600NRTG	600mm dropbolt, non-keyed, PVD brass
	DBOV600NRN	600mm dropbolt, non-keyed, natural anodised
	DBOV600NRL	600mm dropbolt, non-keyed, black powdercoat
	DBOV600NRW	600mm dropbolt, non-keyed, white powdercoat
	DBOV600NRPC	600mm dropbolt, non-keyed, custom powdercoat
DBOV600NRX	600mm dropbolt, non-keyed, brushed metallic	

Custom powdercoat available by special order.

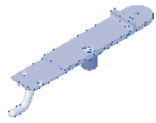
Centor DOe Dropbolt



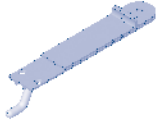
DOe dropbolt assembly



DOe / KEYED

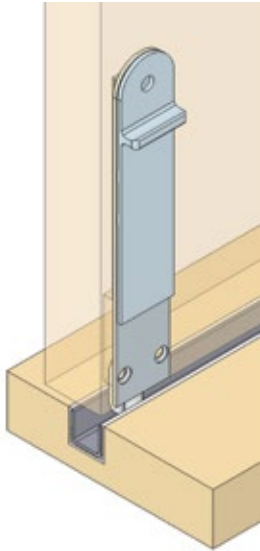
PARTS	PRODUCT CODE	DESCRIPTION
	DBOE200KRTG	200mm dropbolt, keyed, PVD brass
	DBOE200KRX	200mm dropbolt, keyed, brushed metallic
	DBOE400KRTG	400mm dropbolt, keyed, PVD brass
	DBOE400KRX	400mm dropbolt, keyed, brushed metallic
	DBOE600KRTG	600mm dropbolt, keyed, PVD brass
	DBOE600KRX	600mm dropbolt, keyed, brushed metallic

DOe / NON-KEYED

PARTS	PRODUCT CODE	DESCRIPTION
	DBOE200NRTG	200mm dropbolt, non-keyed, PVD brass
	DBOE200NRX	200mm dropbolt, non-keyed, brushed metallic
	DBOE400NRTG	400mm dropbolt, non-keyed, PVD brass
	DBOE400NRX	400mm dropbolt, non-keyed, brushed metallic
	DBOE600NRTG	600mm dropbolt, non-keyed, PVD brass
	DBOE600NRX	600mm dropbolt, non-keyed, brushed metallic
	DBOE1000NRTG	1000mm dropbolt, non-keyed, PVD brass
	DBOE1000NRX	1000mm dropbolt, non-keyed, brushed metallic

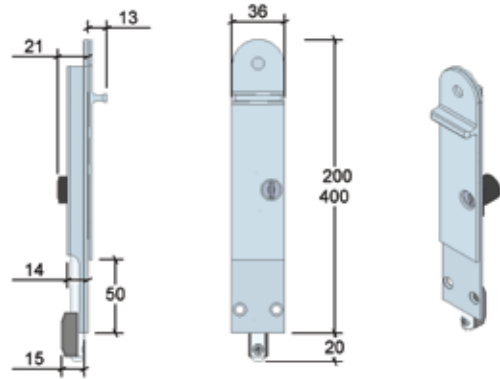
Centor D0c Dropbolt

Architectural Detail

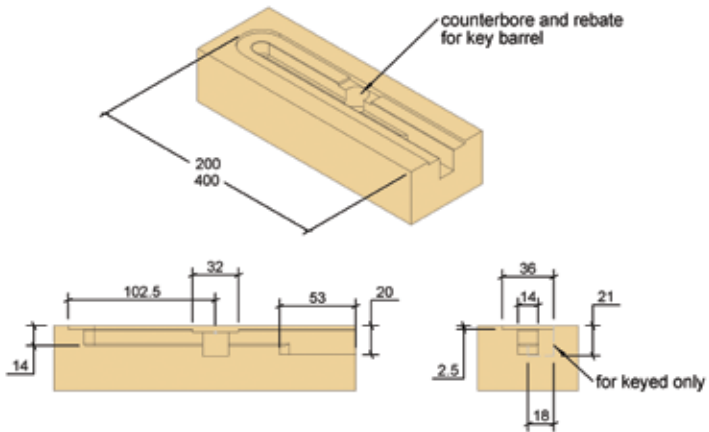


Patent granted

D0c dropbolt assembly

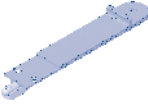


DOC-001.DXF



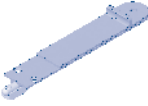
DOC-002

DOc / KEYED

PARTS	PRODUCT CODE	DESCRIPTION
	DBOC200KRTG	200mm dropbolt, concealed, keyed, PVD brass
	DBOC200KRN	200mm dropbolt, concealed, keyed, natural anodised
	DBOC200KRL	200mm dropbolt, concealed, keyed, black powdercoat
	DBOC200KRW	200mm dropbolt, concealed, keyed, white powdercoat
	DBOC200KRPC	200mm dropbolt, concealed, keyed, custom powdercoat
	DBOC200KRC	200mm dropbolt, concealed, keyed, chrome
	DBOC200KRX	200mm dropbolt, concealed, keyed, brushed metallic

Custom powdercoat available by special order.

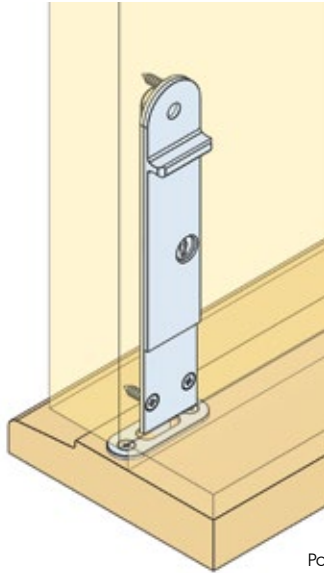
DOc / NON-KEYED

PARTS	PRODUCT CODE	DESCRIPTION
	DBOC200NRTG	200mm dropbolt, concealed, non-keyed, PVD brass
	DBOC200NRN	200mm dropbolt, concealed, non-keyed, natural anodised
	DBOC200NRL	200mm dropbolt, concealed, non-keyed, black powdercoat
	DBOC200NRW	200mm dropbolt, concealed, non-keyed, white powdercoat
	DBOC200NRPC	200mm dropbolt, concealed, non-keyed, custom powdercoat
	DBOC200NRC	200mm dropbolt, concealed, non-keyed, chrome
	DBOC200NRX	200mm dropbolt, concealed, non-keyed, brushed metallic
	DBOC400NRTG	400mm dropbolt, concealed, non-keyed, PVD brass
	DBOC400NRX	400mm dropbolt, concealed, non-keyed, brushed metallic

Custom powdercoat available by special order.

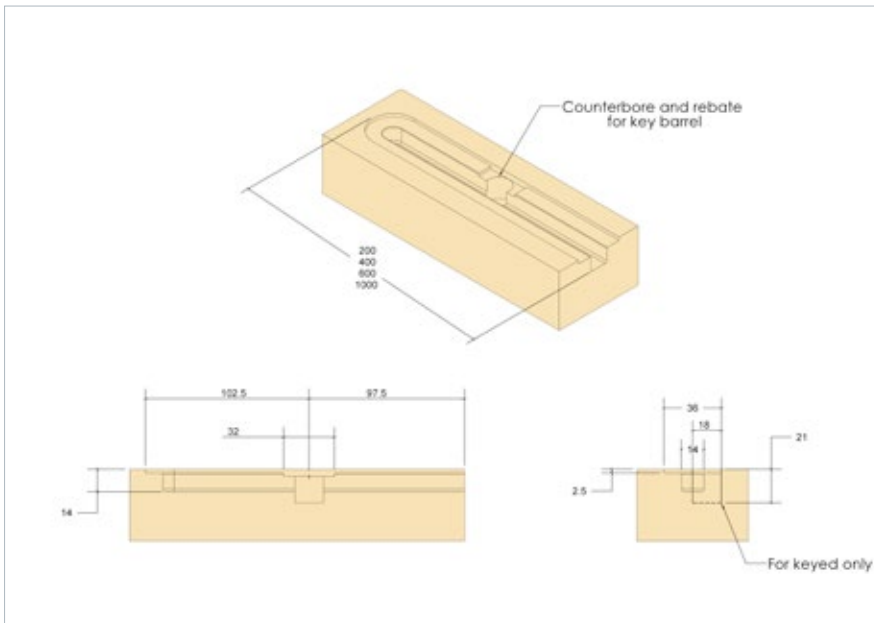
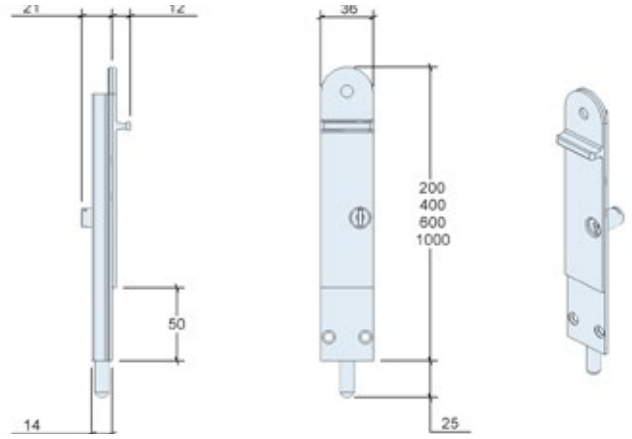
Centor DOT Dropbolt

Architectural Detail



Patent granted


DOT dropbolt assembly



DOt / KEYED

PARTS	PRODUCT CODE	DESCRIPTION
	DBOT200KRTG	200mm dropbolt, keyed, PVD brass
	DBOT200KRN	200mm dropbolt, keyed, natural anodised
	DBOT200KRQ	200mm dropbolt, keyed, bronze powdercoat
	DBOT200KRW	200mm dropbolt, keyed, white powdercoat
	DBOT200KRX	200mm dropbolt, keyed, brushed metallic
	DBOT400KRTG	400mm dropbolt, keyed, PVD brass
	DBOT400KRN	400mm dropbolt, keyed, natural anodised
	DBOT400KRQ	400mm dropbolt, keyed, bronze powdercoat
	DBOT400KRW	400mm dropbolt, keyed, white powdercoat
	DBOT400KRX	400mm dropbolt, keyed, brushed metallic
	DBOT600KRTG	600mm dropbolt, keyed, PVD brass
	DBOT600KRN	600mm dropbolt, keyed, natural anodised
	DBOT600KRQ	600mm dropbolt, keyed, bronze powdercoat
	DBOT600KRW	600mm dropbolt, keyed, white powdercoat
	DBOT600KRX	600mm dropbolt, keyed, brushed metallic
	DBOT1000KRTG	1000mm dropbolt, keyed, PVD brass

DOt / NON-KEYED

PARTS	PRODUCT CODE	DESCRIPTION
	DBOT200NRTG	200mm dropbolt, non-keyed, PVD brass
	DBOT200NRN	200mm dropbolt, non-keyed, natural anodised
	DBOT200NRQ	200mm dropbolt, non-keyed, bronze powdercoat
	DBOT200NRW	200mm dropbolt, non-keyed, white powdercoat
	DBOT200NRX	200mm dropbolt, non-keyed, brushed metallic
	DBOT400NRTG	400mm dropbolt, non-keyed, PVD brass
	DBOT400NRN	400mm dropbolt, non-keyed, natural anodised
	DBOT400NRQ	400mm dropbolt, non-keyed, bronze powdercoat
	DBOT400NRW	400mm dropbolt, non-keyed, white powdercoat
	DBOT400NRX	400mm dropbolt, non-keyed, brushed metallic
	DBOT600NRTG	600mm dropbolt, non-keyed, PVD brass
	DBOT600NRN	600mm dropbolt, non-keyed, natural anodised
	DBOT600NRQ	600mm dropbolt, non-keyed, bronze powdercoat
	DBOT600NRW	600mm dropbolt, non-keyed, white powdercoat
	DBOT600NRX	600mm dropbolt, non-keyed, brushed metallic
	DBOT1000NRTG	1000mm dropbolt, non-keyed, PVD brass
DBOT1000NRN	1000mm dropbolt, non-keyed, natural anodised	
DBOT1000NRQ	1000mm dropbolt, non-keyed, bronze powdercoat	
DBOT1000NRW	1000mm dropbolt, non-keyed, white powdercoat	
DBOT1000NRX	1000mm dropbolt, non-keyed, brushed metallic	

Centor DM Dropbolt

Half the length (100mm) of the smallest door dropbolt system and correspondingly narrow, Centor DM is designed to flush-mount into window frames with minimal visual impact.

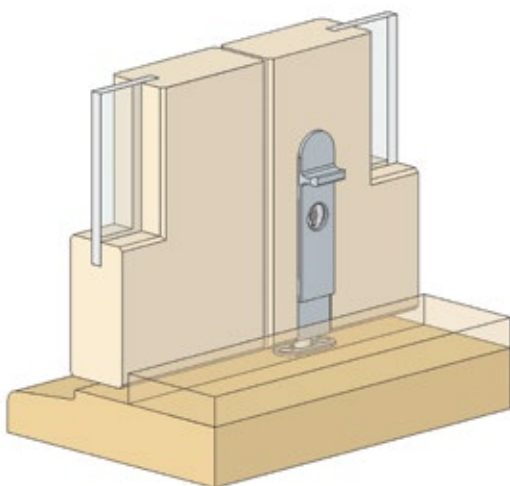
DM SPECIFICATIONS	
max wind load	200kg force
min door thickness	35mm
security	keyed
dropbolt lengths	100mm
throw length	20mm
finishes	PVD brass natural anodised black powdercoat white powdercoat custom powdercoat* chrome brushed metallic

*Custom powdercoat available by special order.

DM Dropbolt is suitable for locking casement, awning, sliding and bifold windows. At 100mm long, it is half the size of the DM bolt and is designed to flush-mount into the window frame with minimal visual impact. DM can be supplied keyed alike to your DF or DH locks and can be re-keyed to other window locks in the house by any professional locksmith.

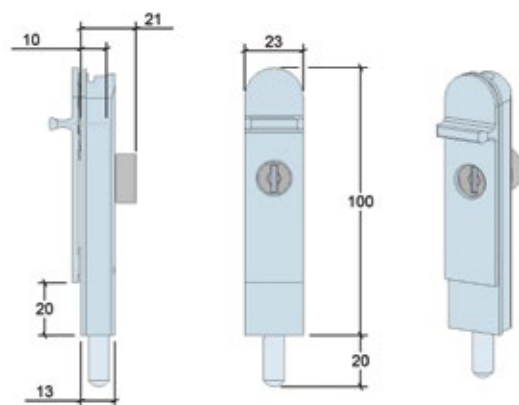


Architectural Detail



Patent granted

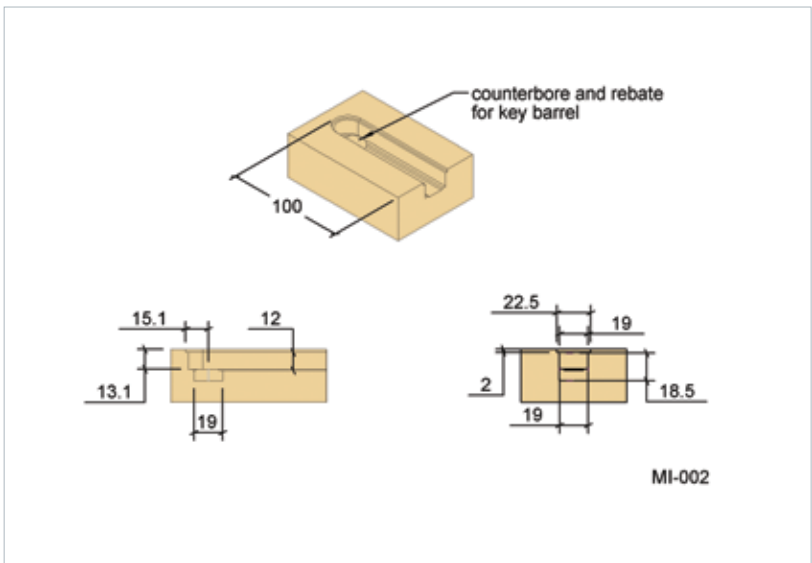
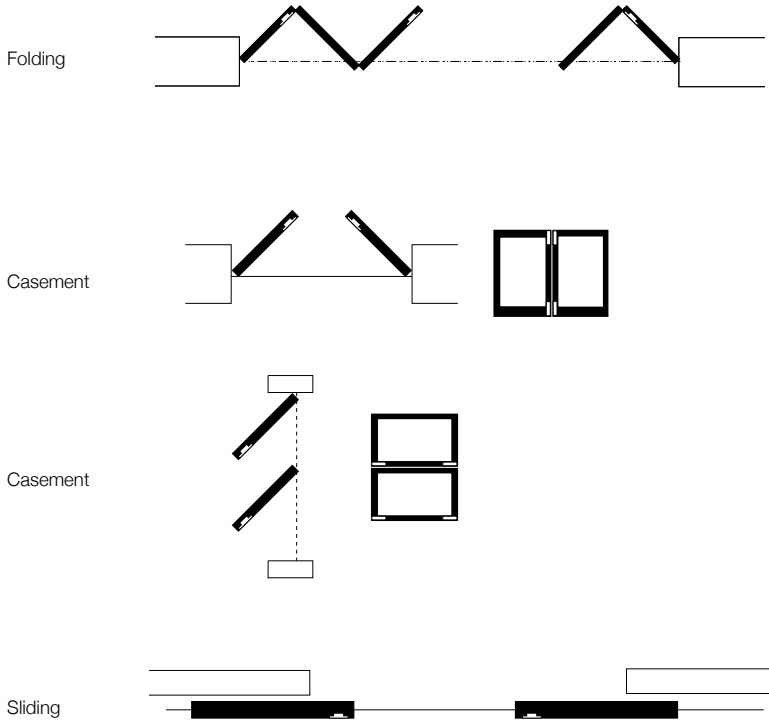
DM dropbolt assembly



MI-001.DXF




INSTALLATION

Dropbolts locations in some typical configurations.



Centor DM Dropbolt CONTINUED

DM / KEYED

PARTS	PRODUCT CODE	DESCRIPTION
	DBMI100KRTG	100mm dropbolt, keyed, PVD brass
	DBMI100KRN	100mm dropbolt, keyed, natural anodised
	DBMI100KRL	100mm dropbolt, keyed, black powdercoat
	DBMI100KRW	100mm dropbolt, keyed, white powdercoat
	DBMI100KRPC	100mm dropbolt, keyed, custom powdercoat
	DBMI100KRC	100mm dropbolt, keyed, chrome
	DBMI100KRX	100mm dropbolt, keyed, brushed metallic
	DBML100KRTG	100mm dropbolt, low-profile, keyed, PVD brass
	DBML100KRX	100mm dropbolt, low-profile, keyed, brushed metallic
	DBMIRB	router bit
	DBMICL	moulded plastic cup

Custom powdercoat available by special order.



Centor DS Dropbolt

Only 36mm in width, Centor DS is the ideal dropbolt for tall timber windows with narrow framing. The extended 300mm barrel means the hand-grip is within reach whether placed at the top of tall windows or behind furniture.

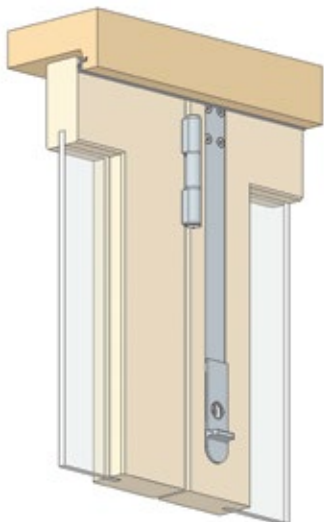
DS SPECIFICATIONS	
max wind load	200kg force
min door thickness	35mm
security	keyed
dropbolt lengths	300mm
throw length	20mm
finishes	PVD brass natural anodised black powdercoat white powdercoat custom powdercoat* chrome brushed metallic

*Custom powdercoat available by special order.

The 300mm length of the DS Dropbolt makes it an ideal bolt to install in tall windows, or in windows where furniture such as benches restrict accessibility. The slim profile of the DS makes it ideal for timber windows with narrow framing. The cylinder can be re-keyed to other window locks in the house by a professional locksmith.

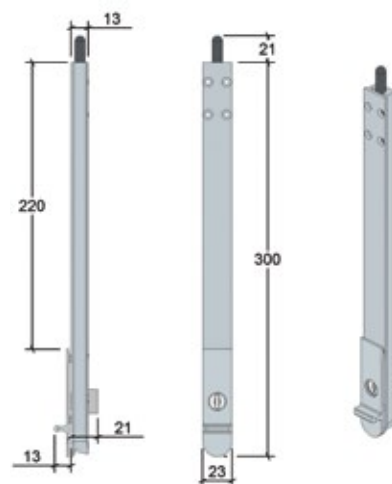


Architectural Detail



Patent granted

DS dropbolt assembly

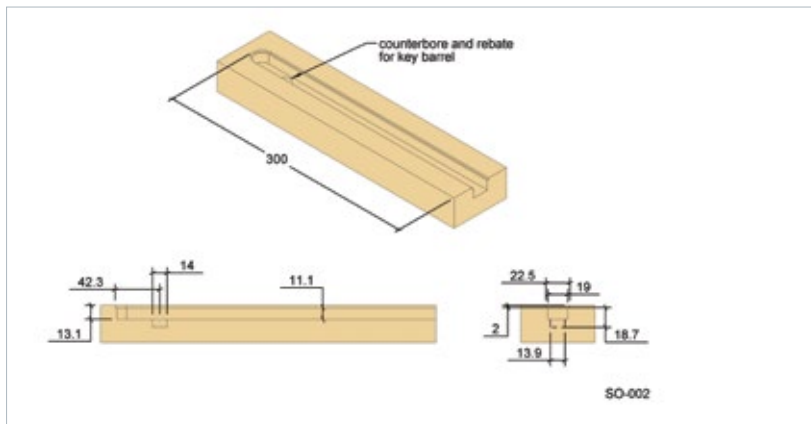
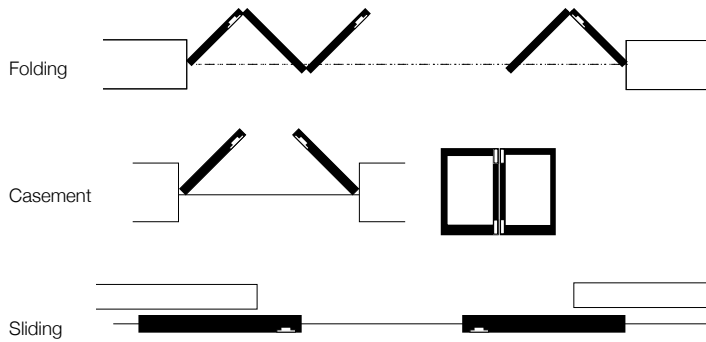


SO-001.DXF




Centor DS Dropbolt CONTINUED

INSTALLATION

Dropbolts locations in some typical configurations.



DS / KEYED

PARTS	PRODUCT CODE	DESCRIPTION
	DBSO300KRTG	300mm dropbolt, keyed, PVD brass
	DBSO300KRN	300mm dropbolt, keyed, natural anodised
	DBSO300KRL	300mm dropbolt, keyed, black powdercoat
	DBSO300KRW	300mm dropbolt, keyed, white powdercoat
	DBSO300KRPC	300mm dropbolt, keyed, custom powdercoat
	DBSO300KRC	300mm dropbolt, keyed, chrome
	DBSO300KRX	300mm dropbolt, keyed, brushed metallic
	DBSL300KRTG	300mm dropbolt, low-profile, keyed, PVD brass
	DBSL300KRX	300mm dropbolt, low-profile, keyed, brushed metallic
	DBMIRB	router bit
	DBMICL	moulded plastic cup

Custom powdercoat available by special order.