

ALUMINIUM & PVC GUIDE CHANNEL SET

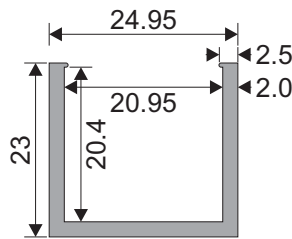
New to the Cowdroy Sliding and Folding door track systems is an **Aluminium and PVC Guide Channel Set**. This guide channel set is an additional option to the current range of aluminium and PVC guide channels.

The robust aluminium outer channel has a 2mm wall thickness for improved stability and an internal retaining lip to ensure the PVC inner channel does not lift. The dedicated inner PVC sill channel comes with pre-punched drain slots to one side (@ 306mm centres) to ensure a smooth and interference-free operation.

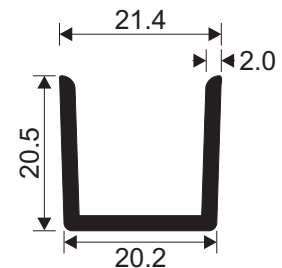
The set is supplied in separate extrusions to facilitate easy installation. The aluminium outer channel is installed first and then the PVC sill channel simply pushes in to complete the installation with no fixing hardware visible.

Ideal for use with the AllWeather folding and sliding systems in both bottom and top applications.

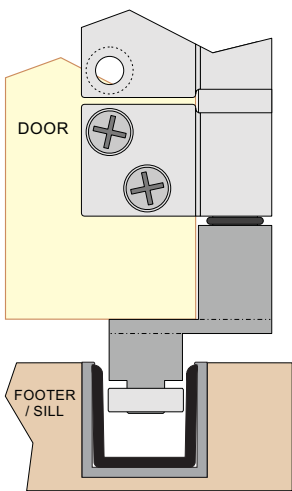
TECHNICAL SPECIFICATIONS	
Code:	TT84762
Dimensions:	23 x 24.95 x 2mm
Length:	6500mm
Finish:	Clear Anodised
Material:	Aluminium
Code:	TT84618
Dimensions:	20.5 x 21.4 x 2mm
Length:	6500mm
Finish:	Black
Material:	PVC



TT84762
Aluminium Outer Channel 6.5m C/A

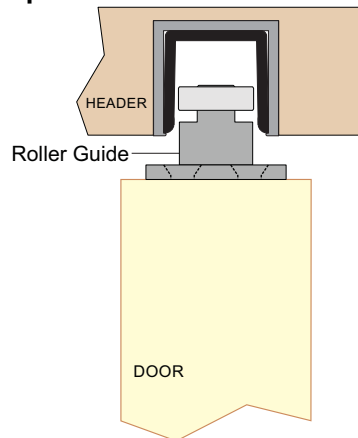


TT84618
PVC Guide Channel 6.5m Black



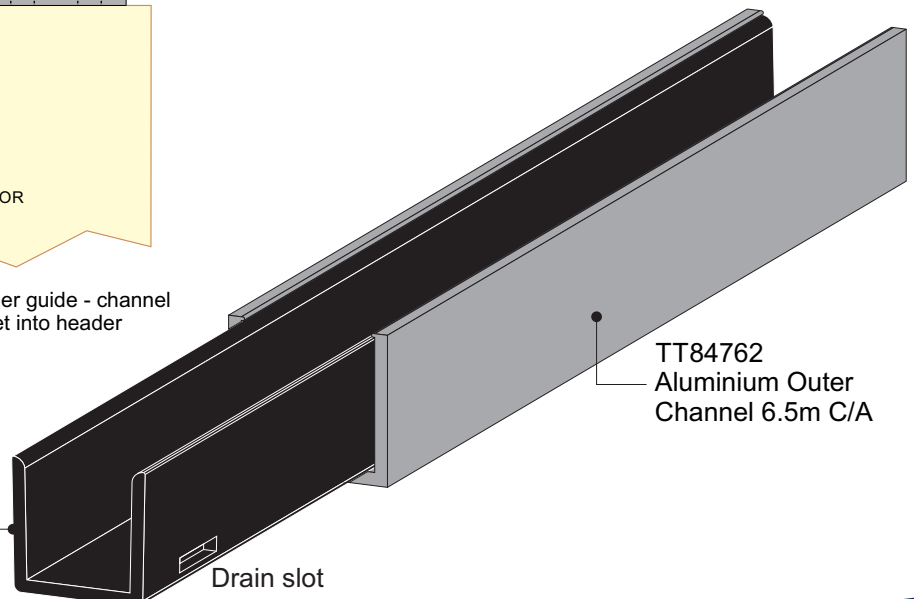
Bottom roller guide
- channel set into sill

Examples



Top roller guide - channel set into header

TT84618
PVC Guide Channel
6.5m Black



TT84762
Aluminium Outer Channel 6.5m C/A

Drain slot