

Four Entry Modes

...

Open Your Door With Your Own Way
Smartphone APP/Pin code/Rfid card/keys



Pin code unlock



Card unlock



Key unlock



APP unlock



Description

The Ultra-Secua is designed specially for security screen door lock that suits different door thickness from 19mm to 30mm. All electronic parts are put into the exterior lock, no cable to drill through the door, so you can replace old lock more easily all by yourself within 10 minutes. With 2pcs 3V Lithium battery go up to two years at least without worrying about the batteries and enjoy the real convenience. The Ultra-Secua has passed IP66 rated and 240 hours salt spray test that can withstand extreme weather, even if the coastal climate, cold and hot days. The Ultra-Secua supports multiple ways to unlock with 150 codes and 200 cards, share ekeys or access codes to your guests or friends for permanent access, specific dates or periods of time anywhere anytime; With an extra gateway, remotely lock/unlock via free phone app

Specifications

- Unlocking methods: TT lock APP/pin code/RFID card/keys.
- Retrofit Mortise: Whitco, Lockwood, Doric, Austral (coming soon)
- Locking method: 3 pin locking, single pin locking
- Material: Zinc alloy and Acrylic keypad
- Easy installation: all electronic parts are put into the front panel, no cable to drill through door. Lift the handle to engage the 3-pin locking system directly.
- Power supply: 2pcs 3V Lithium battery
- Energy saving design: 2pcs 3V Lithium battery last up to 24 months.
- Suits either left or right hand opening hinged security and screen doors
- Suits door thickness from 19mm to 30mm
- Anti-Peep Code: User may enter any random digits before or/and after the correct code and can still gain access, make sure strangers can't steal your code by watching you nearby when you enter the code.
- Wrong-Try Lockout: Input wrong password 5 times, the keypad will be locked for 5 minutes
- Low power Alarm: when battery is lower than 4.8V, buzzer will make alert while each unlocking. It still can keep 50 times unlocking until batteries dead, please replace the batteries in time.

Ultra-Secua Security screen lock



System Specification :

Admin capacity:	1
Available Colour	Black
Door Thickness	19mm – 30mm
Communication	Bluetooth 4.1 BLE and above
Support OS	iOS 7.0 or above, Android 4.4 or above
Battery Life	3 – 4 years
Power Supply	2pcs 3V Lithium battery (included)
Static Current	< 65uA
Motor working current	<200mA
Unlock Way	M1 card, Passcode, APP, Wristband, Mechanical Key, Bluetooth
Unlock Time	1-1.5seconds
Working Temperature	-20~70 degree
Working Humidity	10% ~ 97%
IP Class	(IP66 External Lock Housing)
Retrofit	Whitco, Lockwood, Doric, Austral (coming soon)
WiFi Gateway	Available
Warranty	Refer to McGrath locks Warranty form
User code capacity	150
User card capacity	200
APP shared code	Unlimited
Length of password	4 – 9 Digits
RFID card type	Mifare1 card, support S50 and S70
Card working frequency	13.56MHZ
Door swing	Left, Right

What's in the box



Download and Install the APP



Scan to download app

Enable your smart phone to scan QR code to download the APP. Also you can search "TT Lock" on APP store or Google play to download the APP.

Setting via lock

If you don't want to use the App, you may follow the programming instructions below.

1 Create NEW Access

Add administrator (only 1):



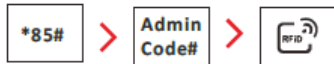
- Enter *12#
- Input 123456# (the initial code)
- Input admin code# (4-9 digits)
- Repeat admin code#

Add a new user with an access code (150 at most):



- Enter *85#
- Input admin code#
- Input user code# (4-9 digits)
- Repeat user code#

Add a new user with an RFID card (200 at most):



- Enter *85#
- Input admin code#
- Swipe the card

Tips: If your smartphone support NFC, copy the registered RFID card to your smartphone, the phone will be the key to unlock.

2 Modify Code

Modify Admin Code



- Enter *12#
- Input old admin code#
- Input new admin code#
- Repeat the new admin code#

Modify User Code



- Enter *10#
- Input old user code#
- Input new user code#
- Repeat the new user code#

3 Manage the Language



If not register the admin code, the default admin code is 123456

4 Delete User

Delete ALL Access Codes:



- Enter *71#
- Input admin code#

Delete ALL RFID Cards:



- Enter *69#
- Input admin code#

Ultra-Secua Security screen lock

5 Reset the Lock

Long press the Reset button, when hear "please input initialization passcode", input 000#, reset successfully.
All code/card/phone users will be deleted.

6 Demo Mode

The demo mode is turned off by default, when not register the admin code, enter 24679# will open the demo mode.
During the demo mode, input 123456# or any cards can unlock.
After registering the admin, the demo mode will be invalid automatically.

7 Low Battery Alert

When battery power is lower than 4.8V, each time waking up the keypad, buzzer will make alert "Low battery, please replace the batteries", the keypad light flashes 1s.
Please change with new Alkaline batteries, don't mix new and old batteries.

8 Scrambling Code To Anti Peep

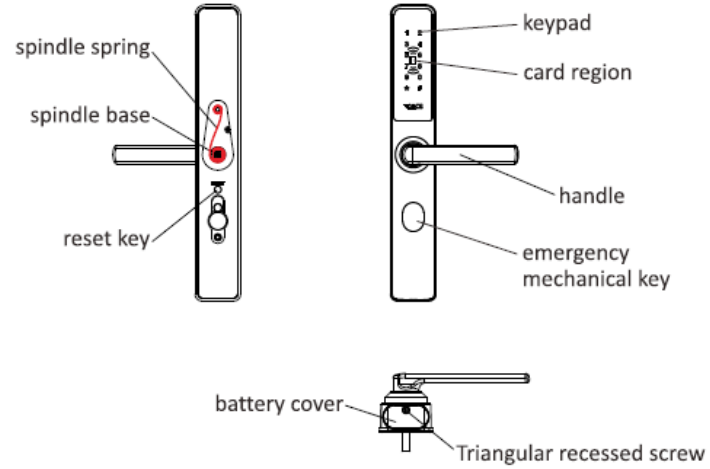
Users may enter any random digits before or/and after the correct passcode and can still gain access, make sure strangers can't steal your passcode by watching your nearby when you enter the passcode.

9 Incorrect code/card Alert

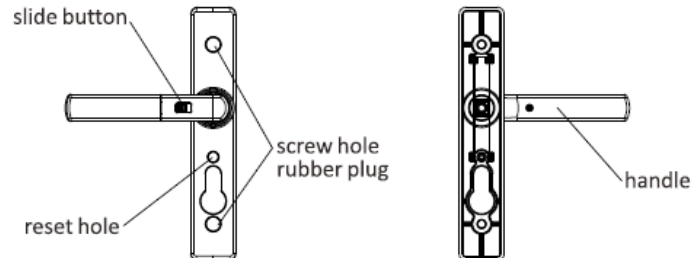
If incorrect code/card is entered 5 times, the alarm tone will last for 5S and the lock will freeze for 5 minutes. If want to unlock, you will hear "illegal operating system has locked."

Installation Instructions

Exterior Assembly Diagram

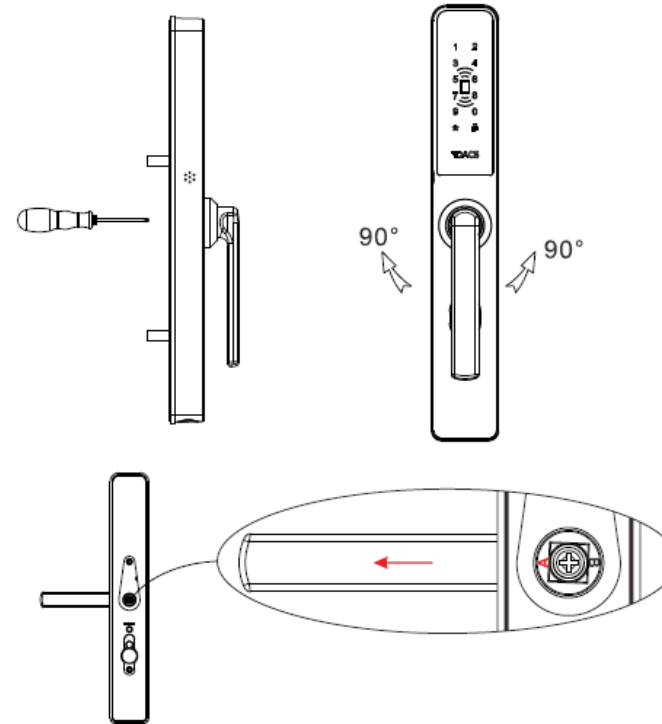


Interior Assembly Diagram



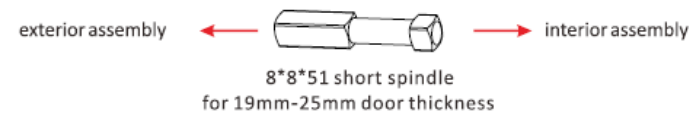
I Adjust the handle direction

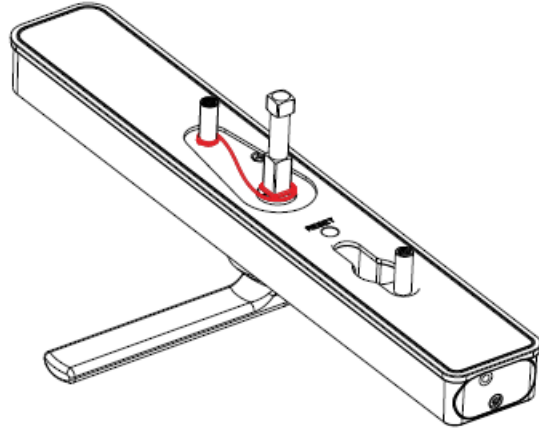
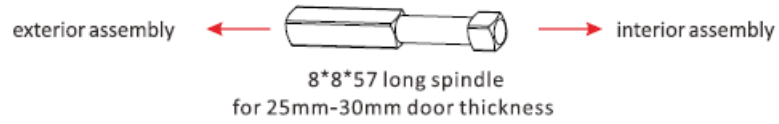
1. The smart door lock is suitable for left hand and right hand opening door. As showed in figure, with the screwdriver, loosen the inside screw, rotate the handle 90 degrees to left/right, then tighten the screw.
2. The "A" must keep same direction with the handle.



II Install the spindle

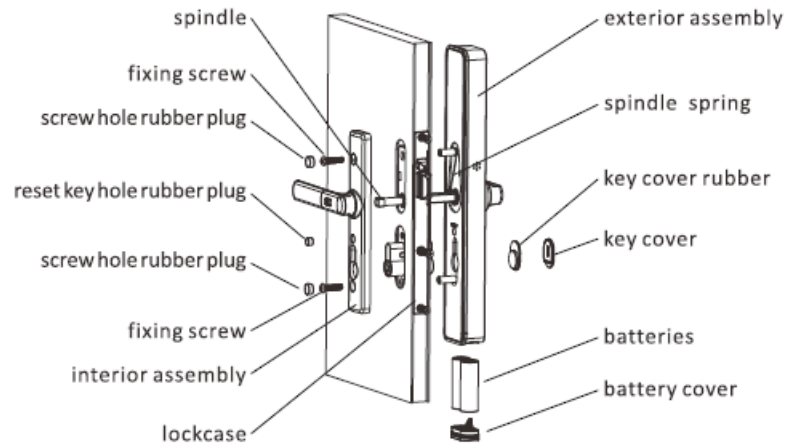
1. First select the suitable spindle according to the door thickness.
2. Install the spindle through spindle spring as showed in figure .





III Installation steps

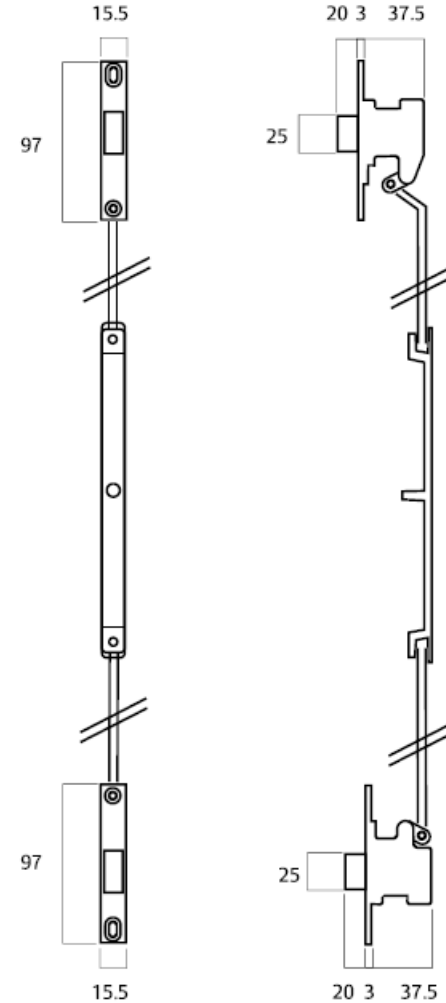
1. First install and tighten the lockcase according to the door opening direction, and install the strike plate on the door frame.
2. Install and tighten the cylinder.
3. Install the exterior and interior assembly, tighten the two fixing screws, and install the screw hole rubber plug.



Accessories

Single or Multi point hinged security or screen door lock

Standard Multi Point Kit



With Smart Phone APP

Control Your Lock From Anywhere
Customizable Access Codes For Anyone Needing Access



Scramble Pin Code Technology

Add random digits to protect your code from prying eyes.

ULTRA
SECUA
DIGITAL LOCK



random digits



correct code
952708



random digits
