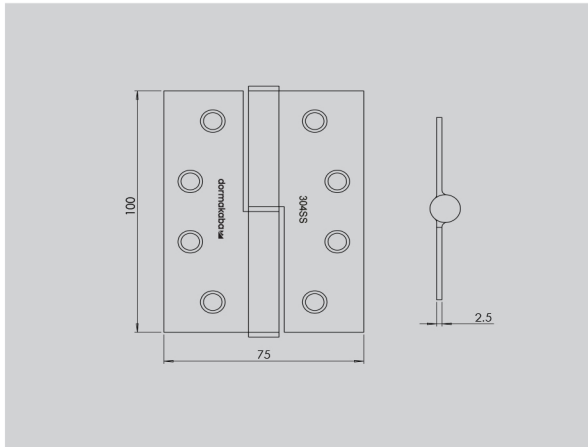




# Stainless Steel Hinges

# Broad Butt Button Tipped Hinges



## DKH100/75LO LH - 100mm x 75mm Lift Off

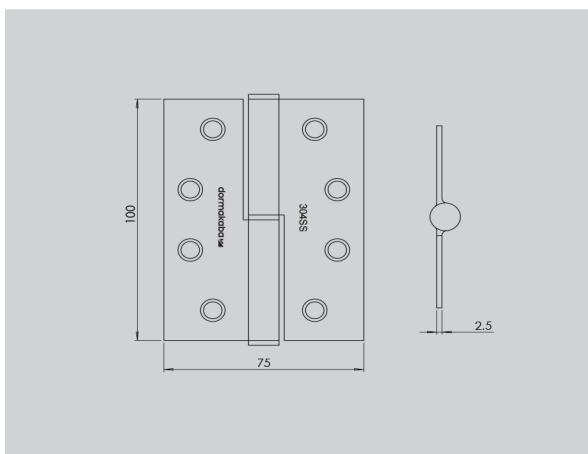
Lift Off Hinge suitable for Timber or Metal doors and Timber or Pressed Metal frame applications

### Available Finishes

- Satin Stainless Steel
- Polished Stainless Steel

### Features:

- 304 Grade Stainless Steel
- Handed right or left
- 1 pair per box, 30 pairs per carton
- Supplied with (8) x 4.2 x 35mm wood & (4) x M5 x 12mm metal thread screws
- Size 100 x 75 x 2.5mm



## DKH100/75LO RH - 100mm x 75mm Lift Off

Lift Off Hinge suitable for Timber or Metal doors and Timber or Pressed Metal frame applications

### Available Finishes

- Satin Stainless Steel
- Polished Stainless Steel

### Features:

- 304 Grade Stainless Steel
- Handed right or left
- 1 pair per box, 30 pairs per carton
- Supplied with (8) x 4.2 x 35mm wood & (4) x M5 x 12mm metal thread screws
- Size 100 x 75 x 2.5mm