

6600 Series

Square end plate furniture

Features

- A true rectangular plate displaying clean modern lines with bevelled edges
- Manufactured using hygienic and corrosion resistant 316 Solid Stainless Steel
- A characteristic feature of Stainless Steel door furniture is the naturally gleaming finish
- Concealed fixed external plates with visible fixed internal plates connected with bolt through fixings
- Extensive range of optional plate functions
- Designed with bolt through the door fixing for use with the dormakaba MS2602 series mortice locks and latches
- Heavy duty spring mechanism manufactured using the highest grade materials
- Nylon bush preventing metal to metal wear and providing a smoother friction free movement
- All turn snibs and privacy snibs on plate are supplied with a heavy duty star spindle for positive turn actuation and furthermore provides for true installation alignment
- Compatible with all Coastal and Urban lever designs
- Standard screws in 5/32 thread to suit door thickness of 32mm-50mm thick doors

Fire Rating

The 6600 series plate furniture is fire rated and complies with AS1905.1-2005 Part 1

Disabled Compliance

Disabled turn's on plates 6607, 6648, 6617, 6658 and 6657 feature a user friendly finger grip of non entrapment design. Designed with the assistance of access consultants.

Functions

See functions chart for all available functions.

Finish

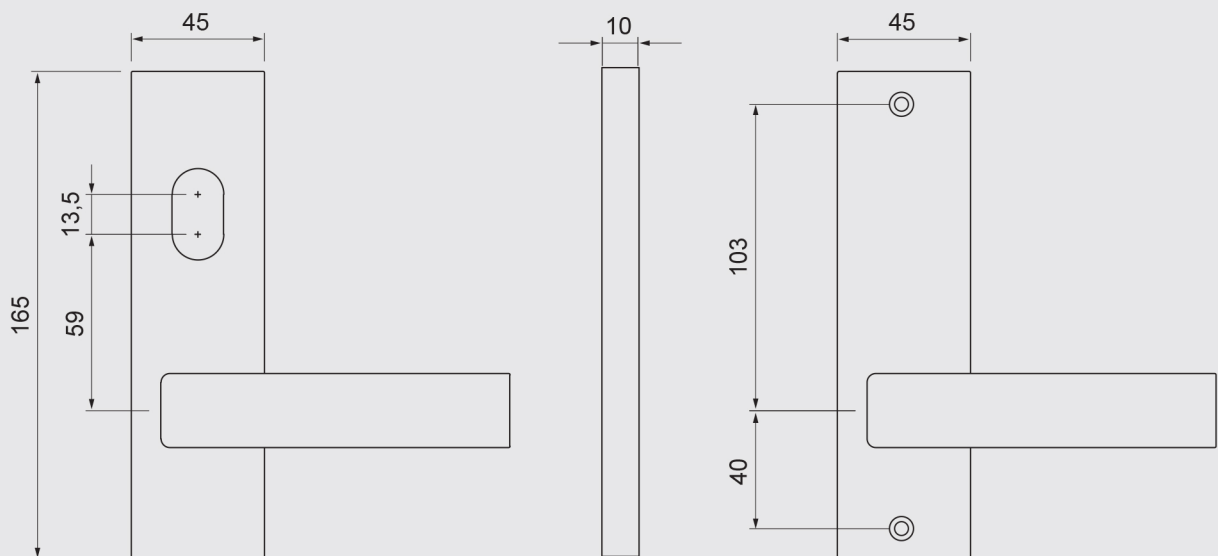
Satin Stainless Steel SSS
Polished Stainless Steel PSS

Note: Other finishes available on request

Spare Parts

6640/00 Standard furniture screws to suit 32mm-50mm thick doors per 2
6640/01 extended furniture screws to suit 50mm-100mm thick doors per 2
5350/00 split spindle pack (2 x split spindles & 2 x springs)
5350/02 75mm star spindle
5350/03 extended split spindle to suit 100mm doors up to 100mm per 2
5350/04 solid spindle to suit doors up to 100mm per 2

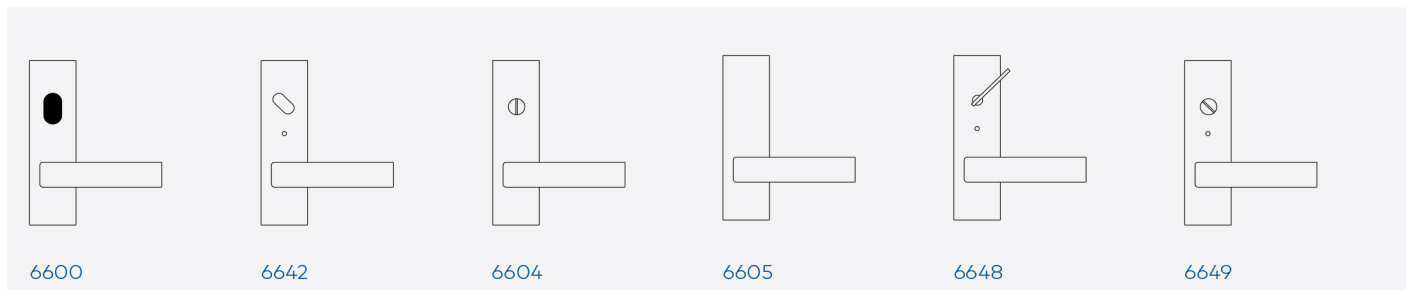
Dimensions



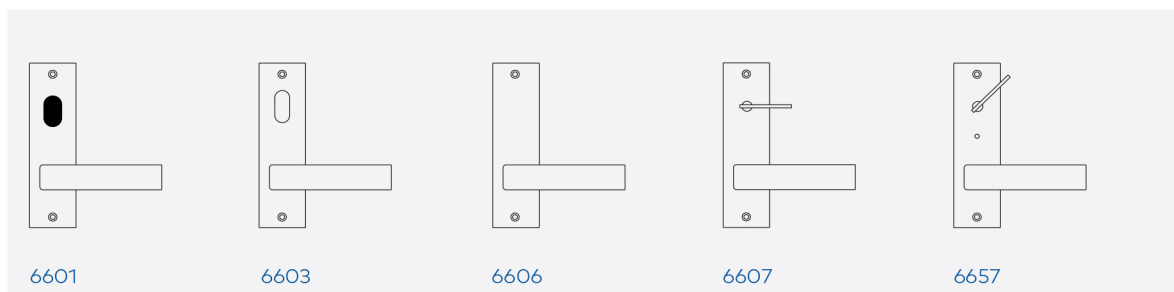
6600 Series

Square end plate furniture range

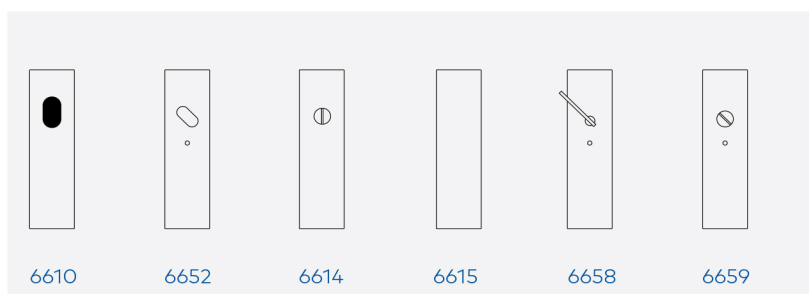
External concealed fix plates with lever



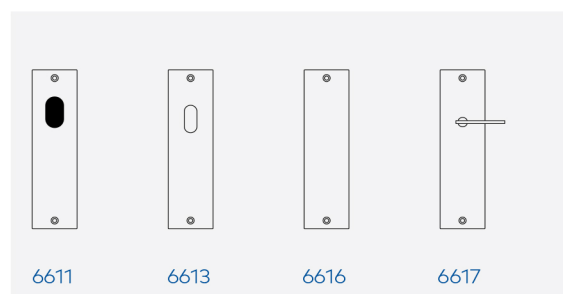
Internal visible fix plates with lever



External concealed fix plain plates



Internal visible fix plain plates



Lever Style

30 31 37 39

Note: The following levers are AS1428.1 2009 compliant - 30, 37 & 39



Function

Oval Cylinder Hole Standard Turn Snib Privacy Button Fixed Lever LED Disabled Turn Snib