



## 6000 Series

### Plate Door Furniture

316 Grade  
Stainless Steel

dormakaba 



dormakaba have an experienced team of specification writers who can discuss with you your project in detail and offer a no cost and obligation free hardware scheduling service. All of this whilst the practicalities of budget are kept in mind.

# Table of contents

**7**

**6400**

Narrow square end plate

**10**

**6500**

Narrow round end plate

**13**

**6600**

Square end plate

**16**

**6700**

Round end plate

# Door Handing Chart

## DOOR OPENING IN



RH - right hand door opening in

OUTSIDE

LH - left hand door opening in

## DOOR OPENING OUT



RH - right hand door opening out

OUTSIDE

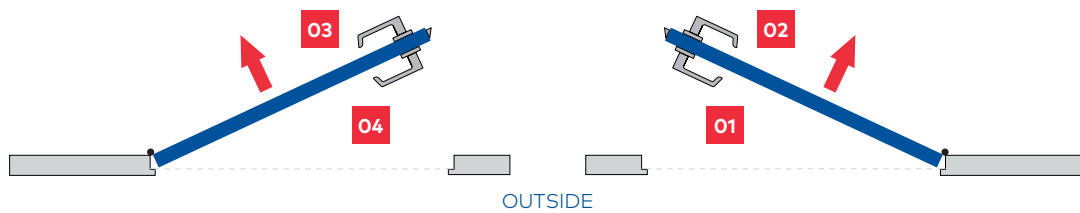
LH - left hand door opening out

## DOOR OPENING IN

RH - right hand door opening in

INSIDE

LH - left hand door opening in



OUTSIDE

## DOOR OPENING OUT

RH - right hand door opening out

INSIDE

LH - left hand door opening out



OUTSIDE

**03**  
RH - Right handed door furniture

**04**  
RH - Right handed door furniture

**01**  
LH - Left handed door furniture

**02**  
LH - Left handed door furniture

# Solid Stainless Steel Plate Door Furniture

Our offer of solid 316 grade stainless steel door furniture have remained consistently true to our commitment to high quality materials, first class workmanship and outstanding designs combined with easy fixing.

dormakaba works closely with architects, designers and our end users to satisfy the sophisticated requirements encountered nowadays in the architectural domain.

Through relationships with architects, designers, end users and installers, the SSS Series plate furniture has been developed to meet the highest demands in any project. Furthermore these demands require us to place a strong emphasis on design innovation, product development and material use.

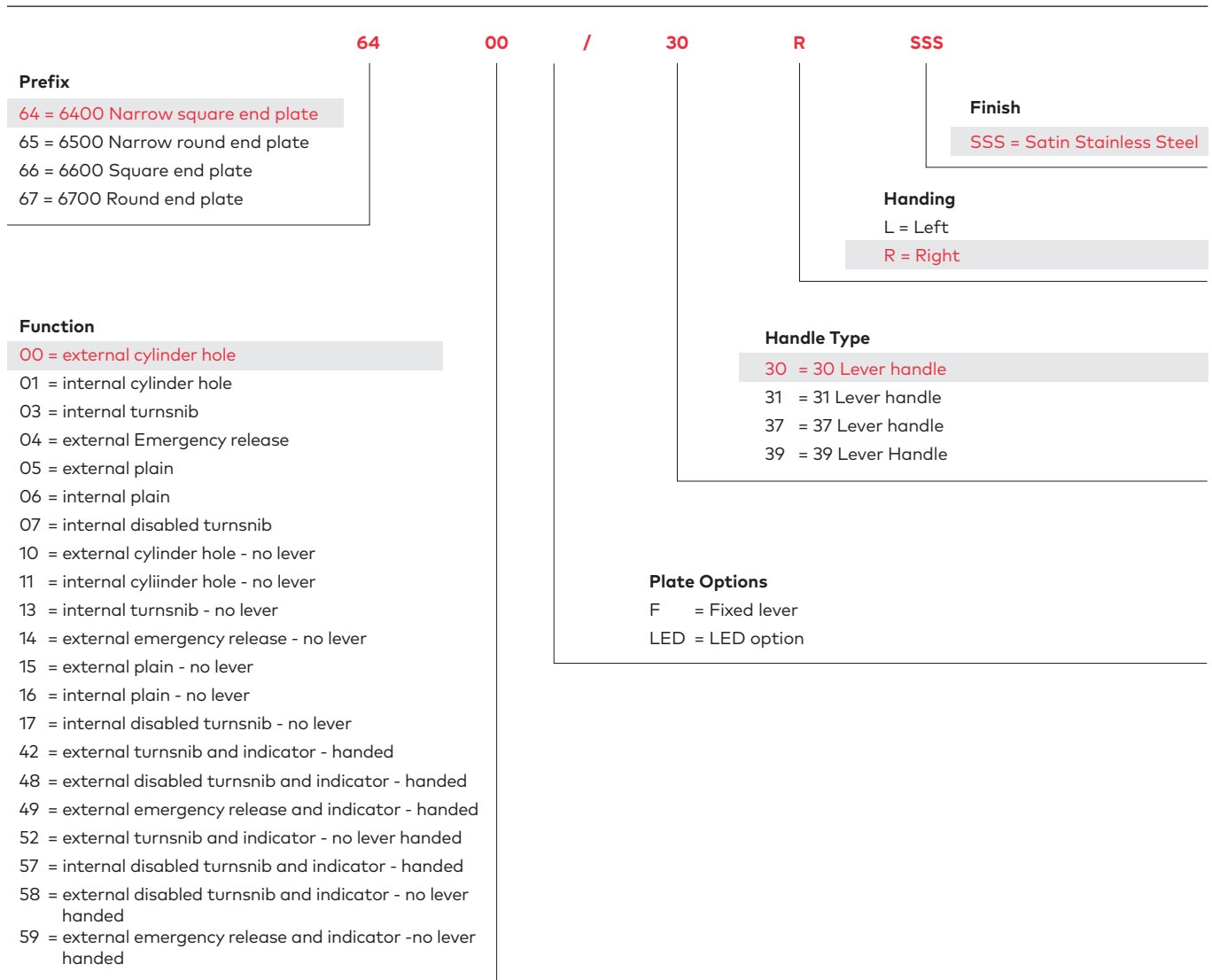
We consistently strive to maintain our position as the design and innovation leader that others follow in all facets of architectural hardware.

The dormakaba SSS Series has an extensive combination of possibilities with co-ordinated lever designs. Moreover the SSS plate designs are characterised by exemplary functional integrity, wear resistance and excellent loadability in any commercial project application.



# SSS Plate Door Furniture

## Ordering procedure chart



# 6400 Series

## Narrow square end plate furniture

### Features

- A true rectangular narrow plate displaying clean modern lines with bevelled edges
- Manufactured using hygienic and corrosion resistant 316 Solid Stainless Steel
- A characteristic feature of Stainless Steel door furniture is the naturally gleaming finish
- Concealed fixed external plates with visible fixed internal plates connected with bolt through fixings
- Extensive range of optional plate functions
- Designed with bolt through fixing for use with Australian narrow stile mortice locks and latches.
- Non handed plate with oscillating lever action for quick reversal of handing.
- Heavy duty spring mechanism manufactured using the highest grade materials
- Nylon shim preventing metal to metal wear and providing a smoother friction free movement
- All turn snibs and privacy snibs on plate are supplied with a heavy duty star spindle for positive turn actuation and furthermore provides for true installation alignment
- Certain Coastal Series lever designs are not compatible with all narrow backset mortice locks. Check your requirements against the suitability chart in this brochure
- Standard screws in 5/32 thread to suit door thickness of 32mm-45mm thick doors

### Fire Rating

The 6400 series plate furniture is fire rated and complies with AS1905.1-2005 Part 1

### Disabled Compliance

6407 and 6417 feature a user friendly finger grip of non entrapment design. Designed with the assistance of access consultants.

### Functions

See functions chart for all available functions.

### Finish

Satin Stainless Steel SSS

Polished Stainless Steel PSS

Note: Other finishes available on request

### Spare parts

6640/00 Standard screws to suit 32mm-45mm thick doors per 2

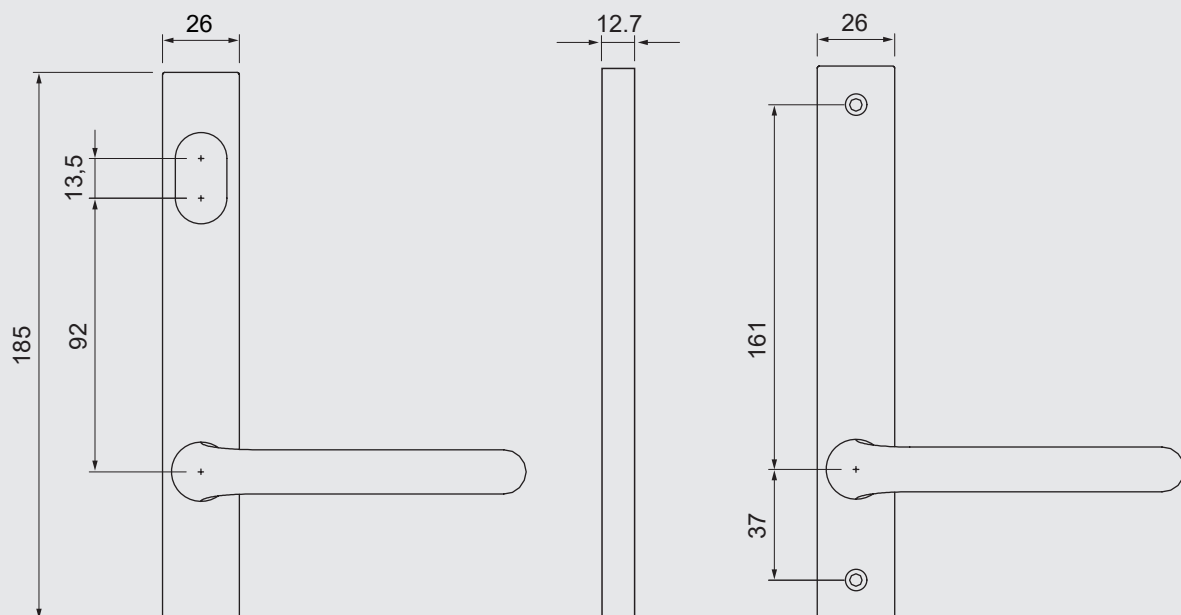
6640/01 Extended screws to suit 50mm-90mm thick doors per 2

5350/00 split spindle pack (2 x split spindles & 2 x springs)

5350/02 75mm star spindle

5350/03 extended split spindle to suit 100mm doors up to 100mm per 2

### Dimensions





01



02



03



04

01

**6400-30**  
External concealed plate with  
oval cylinder hole and 30 lever

02

**6415**  
External concealed plate

03

**6407-30**  
Internal visible fix plate with  
disabled turn snib and 30 lever

04

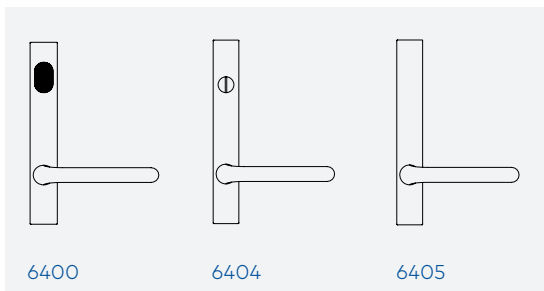
**6413**  
Internal visible fix plate with  
standard turn



# 6400 Series

## Narrow square end plate furniture range

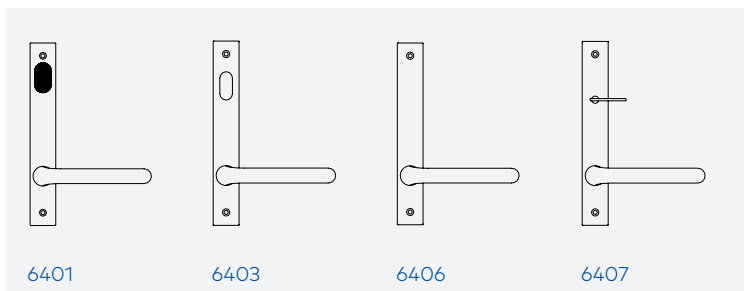
### External concealed fix plates with lever



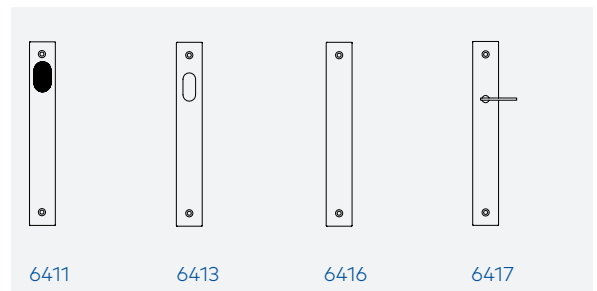
### External concealed fix plain plates



### Internal visible fix plates with lever



### Internal visible fix plain plates



Lever options & backset suitability – based on frame 12mm stop

● Yes – No

Lever Style	23	25.4	30	38	Lever Style	23	25.4	30	38
30	●	●	●	●	37	–	–	●	●
31	●	●	●	●	39	–	–	●	●

Note: The following levers are AS1428.1 2009 compliant - 30, 37 & 39



### Function

Oval Cylinder Hole	Standard Turn Snib	Privacy Button	Fixed Lever	LED	Disabled Turn Snib

# 6500 Series

## Narrow round end plate furniture

### Features

- A stylish alternative to the narrow square end plate displaying clean modern lines with bevelled edges
- Manufactured using hygienic and corrosion resistant 316 Solid Stainless Steel
- A characteristic feature of Stainless Steel door furniture is the naturally gleaming finish
- Concealed fixed external plates with plates connected with bolt through fixings
- Extensive range of optional plate functions
- Designed with bolt through fixing for use with Australian narrow stile mortice locks and latches
- Non handed plate with oscillating lever action for quick reversal of handing
- Heavy duty spring mechanism manufactured using the highest grade materials
- Nylon shim preventing metal to metal wear and providing a smoother friction free movement
- All turn snibs and privacy snibs on plate are supplied with a heavy duty star spindle for positive turn actuation and furthermore provides for true installation alignment
- Standard screws in 5/32 thread to suit door thickness of 32mm-45mm thick doors

### Fire Rating

The 6500 series plate furniture is fire rated and complies with AS1905.1-2005 Part 1

### Disabled Compliance

Disabled turn's on plates 6507 and 6517 feature a user friendly finger grip of non entrapment design. Designed with the assistance of access consultants.

### Functions

See functions chart for all available functions.

### Finish

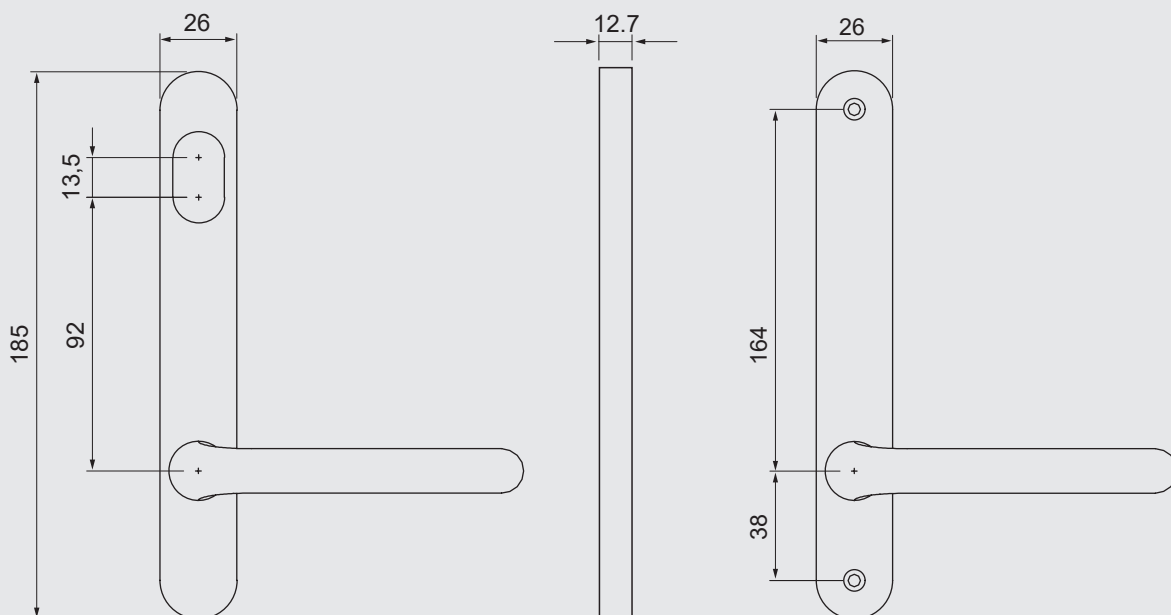
Satin Stainless Steel SSS  
Polished Stainless Steel PSS

Note: Other finishes available on request

### Spare parts

6640/00 Standard screws to suit 32mm-45mm thick doors per 2  
6640/01 Extended screws to suit 50mm-90mm thick doors per 2  
5350/00 split spindle pack (2 x split spindles & 2 x springs)  
5350/02 75mm star spindle  
5350/03 extended split spindle to suit 100mm doors up to 100mm per 2

### Dimensions





01



02



03



04

01

**6500-30**  
External concealed plate with  
oval cylinder hole and 30 lever

02

**6514**  
External concealed plate with  
privacy button

03

**6503-30**  
Internal visible fix plate with  
standard turn snib and 30 lever

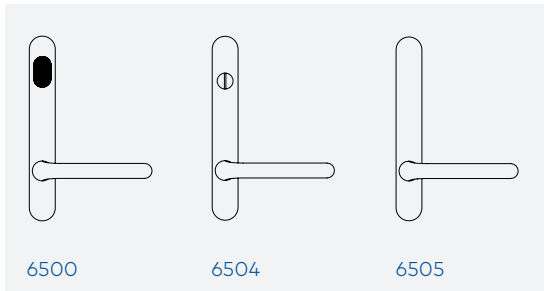
04

**6516**  
Internal visible fix plate

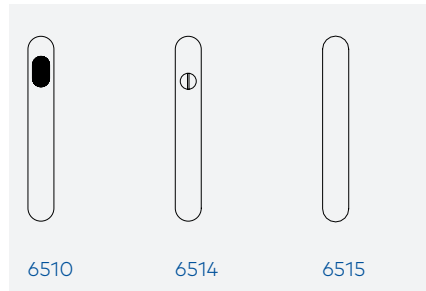
# 6500 Series

## Narrow round end plate furniture range

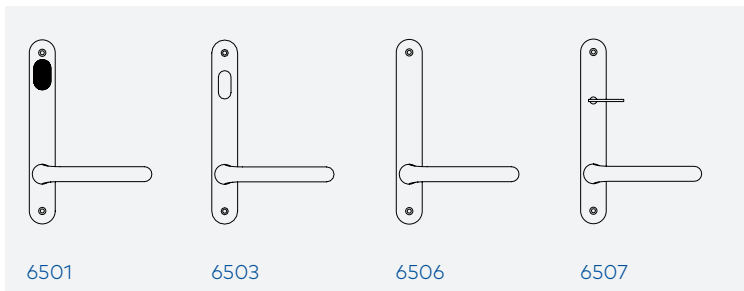
### External concealed fix plates with lever



### External concealed fix plain plates



### Internal visible fix plates with lever



### Internal visible fix plain plates



Lever options & backset suitability – based on frame 12mm stop										
					● Yes	– No				
Lever Style	23	25.4	30	38	Lever Style	23	25.4	30	38	
30	●	●	●	●	37	–	–	●	●	
31	●	●	●	●	39	–	–	●	●	

Note: The following levers are AS1428.1 2009 compliant - 30, 37 & 39



### Function

Oval Cylinder Hole	Standard Turn Snib	Privacy Button	Fixed Lever	LED	Disabled Turn Snib

# 6600 Series

## Square end plate furniture

### Features

- A true rectangular plate displaying clean modern lines with bevelled edges
- Manufactured using hygienic and corrosion resistant 316 Solid Stainless Steel
- A characteristic feature of Stainless Steel door furniture is the naturally gleaming finish
- Concealed fixed external plates with visible fixed internal plates connected with bolt through fixings
- Extensive range of optional plate functions
- Designed with bolt through the door fixing for use with the dormakaba MS2602 series mortice locks and latches
- Heavy duty spring mechanism manufactured using the highest grade materials
- Nylon bush preventing metal to metal wear and providing a smoother friction free movement
- All turn snibs and privacy snibs on plate are supplied with a heavy duty star spindle for positive turn actuation and furthermore provides for true installation alignment
- Compatible with all Coastal and Urban lever designs
- Standard screws in 5/32 thread to suit door thickness of 32mm-50mm thick doors

### Fire Rating

The 6600 series plate furniture is fire rated and complies with AS1905.1-2005 Part 1

### Disabled Compliance

Disabled turn's on plates 6607, 6648, 6617, 6658 and 6657 feature a user friendly finger grip of non entrapment design. Designed with the assistance of access consultants.

### Functions

See functions chart for all available functions.

### Finish

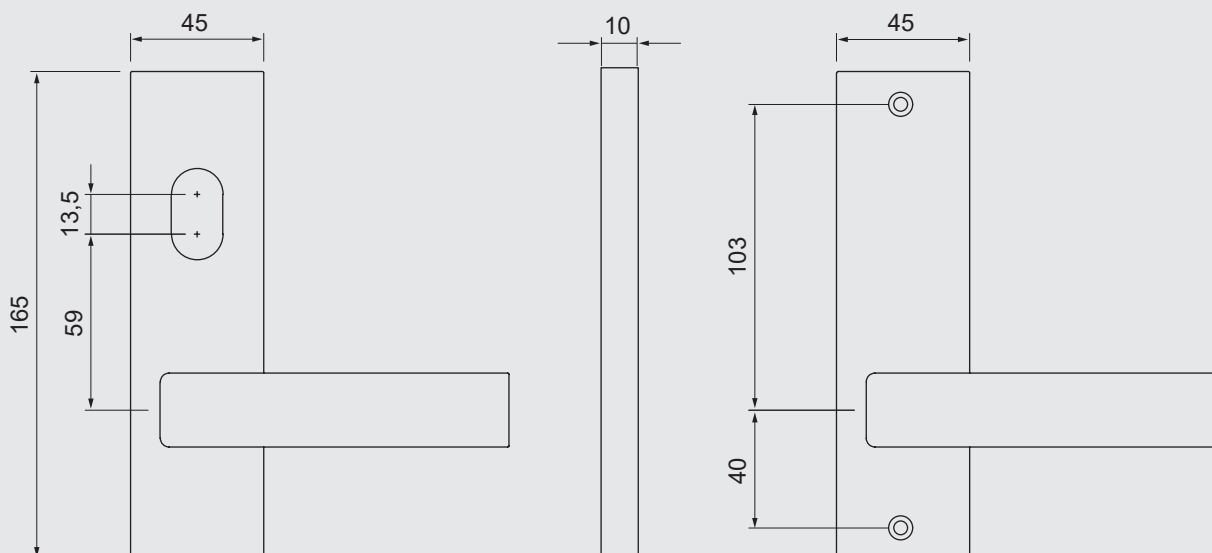
Satin Stainless Steel SSS  
Polished Stainless Steel PSS

Note: Other finishes available on request

### Spare Parts

- 6640/00 Standard furniture screws to suit 32mm-50mm thick doors per 2
- 6640/01 extended furniture screws to suit 50mm-100mm thick doors per 2
- 5350/00 split spindle pack (2 x split spindles & 2 x springs)
- 5350/02 75mm star spindle
- 5350/03 extended split spindle to suit 100mm doors up to 100mm per 2
- 5350/04 solid spindle to suit doors up to 100mm per 2

### Dimensions





01



02



03



04

01

**6600-30**

External concealed plate with oval cylinder hole and 30 lever

02

**6612**

External concealed plate with standard turn snib and LED

03

**6630-30**

Internal visible fix plate with standard turn snib and 30 lever

04

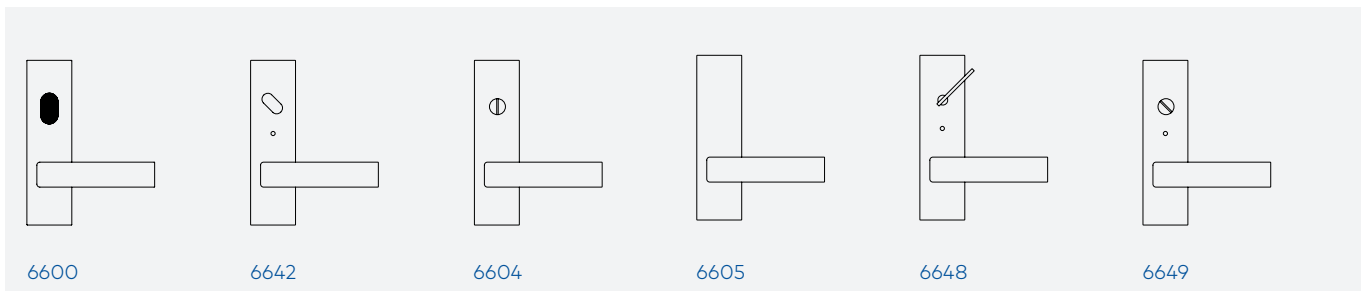
**6618**

Internal visible fix plate with disabled turn snib

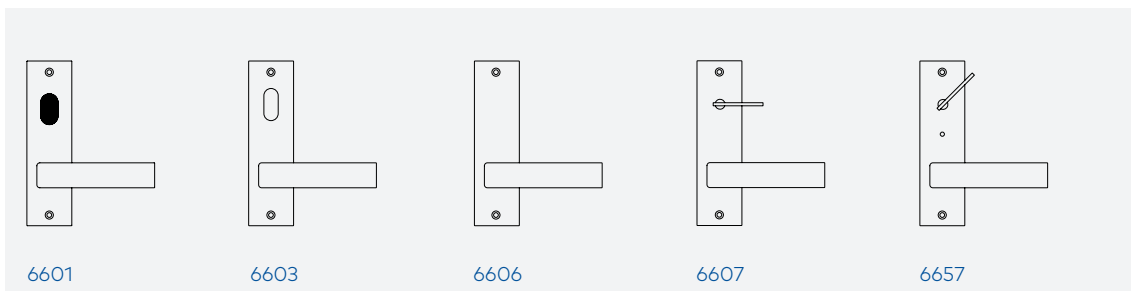
# 6600 Series

## Square end plate furniture range

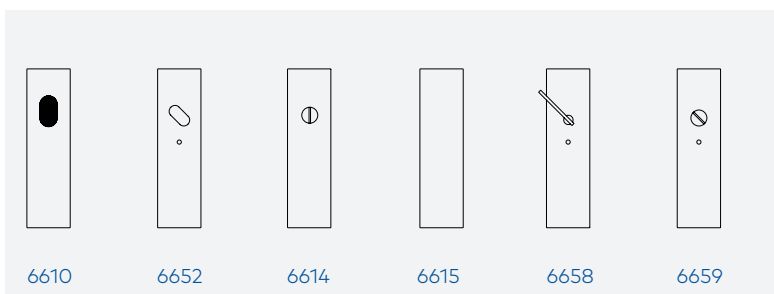
### External concealed fix plates with lever



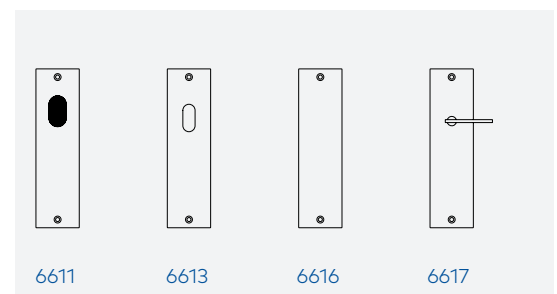
### Internal visible fix plates with lever



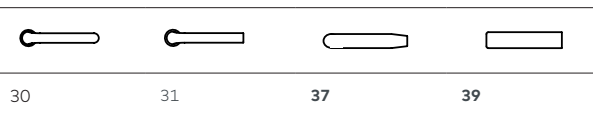
### External concealed fix plain plates



### Internal visible fix plain plates



### Lever Style



Note: The following levers are AS1428.1 2009 compliant - 30, 37 & 39



### Function



# 6700 Series

## Round end plate furniture

### Features

- A stylish alternative to the rectangular plate displaying clean modern lines with bevelled edges
- Manufactured using hygienic and corrosion resistant 316 Solid Stainless Steel
- A characteristic feature of Stainless Steel door furniture is the naturally gleaming finish
- Concealed fixed external plates with visible fixed internal plates connected with bolt through fixings
- Extensive range of optional plate functions
- Designed with bolt through the door fixing for use with the dormakaba MS2602 series mortice locks and latches
- Non handed plate with removable stop screw for opposite handing.
- Heavy duty spring mechanism manufactured using the highest grade materials
- Nylon bush preventing metal to metal wear and providing a smoother friction free movement
- All turn snibs and privacy snibs on plate are supplied with a heavy duty star spindle for positive turn actuation and furthermore provides for true installation alignment
- Compatible with all Coastal and Urban series lever designs
- Standard screws in 5/32 thread to suit door thickness of 32mm-50mm thick doors

### Fire Rating

The 6700 series plate furniture is fire rated and complies with AS1905.1-2005 Part 1

### Disabled Compliance

Disabled turn's on plates 6707, 6748, 6617, 6758 and 6757 feature a user friendly finger grip of non entrapment design. Designed with the assistance of access consultants.

### Functions

See functions chart for all available functions.

### Finish

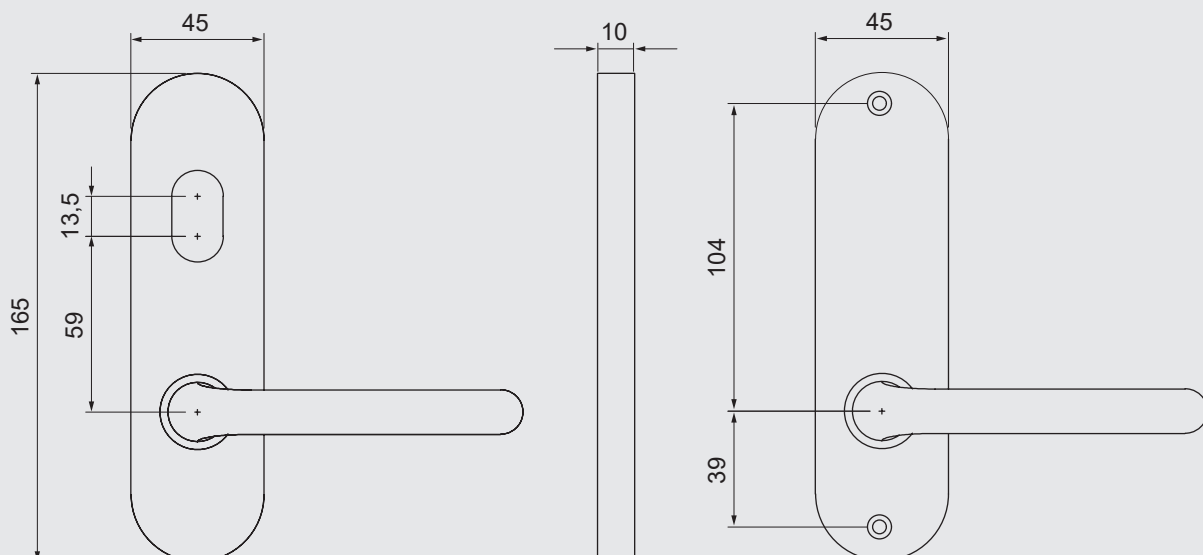
Satin Stainless Steel SSS  
Polished Stainless Steel PSS

Note: Other finishes available on request

### Spare Parts

6640/00 Standard furniture screws to suit 32mm-50mm thick doors per 2  
6640/01 extended furniture screws to suit 50mm-100mm thick doors per 2  
5350/00 split spindle pack (2 x split spindles & 2 x springs)  
5350/02 75mm star spindle  
5350/03 extended split spindle to suit 100mm doors up to 100mm per 2  
5350/04 solid spindle to suit doors up to 100mm per 2

### Dimensions







01



02



03



04

01

**6700-30**  
External concealed plate with  
oval cylinder hole and 30 lever

02

**6714**  
External concealed plate with  
privacy button

03

**6707-30**  
Internal visible fix plate with  
disabled turn snib and 30 lever

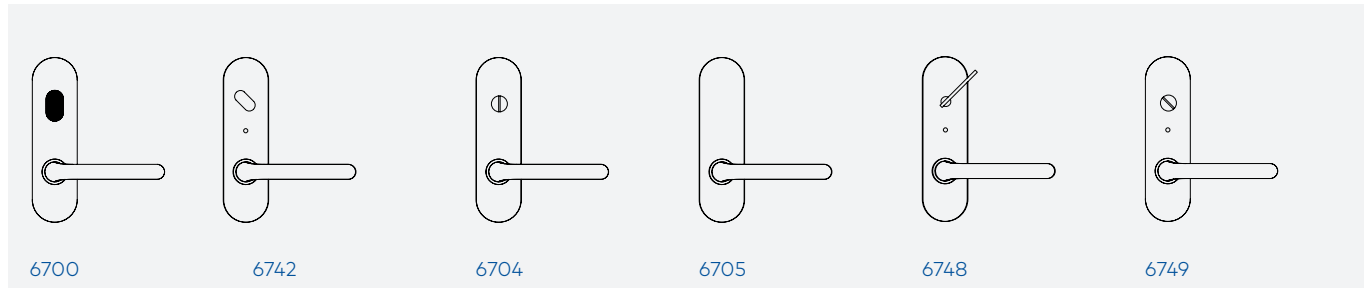
04

**6716**  
Internal visible fix plate

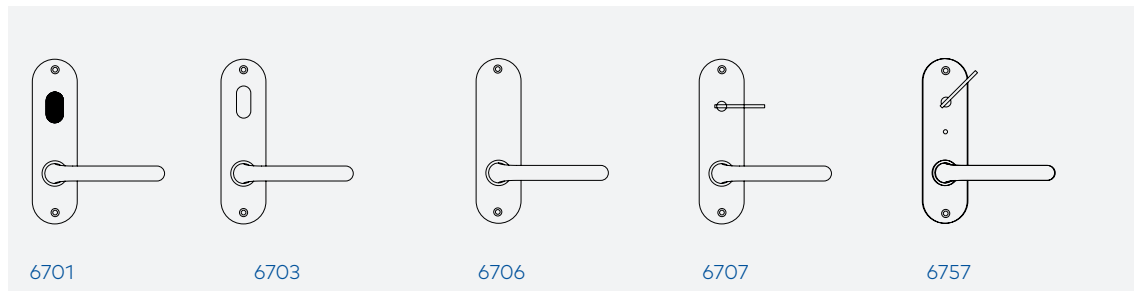
# 6700 Series

## Round end plate furniture range

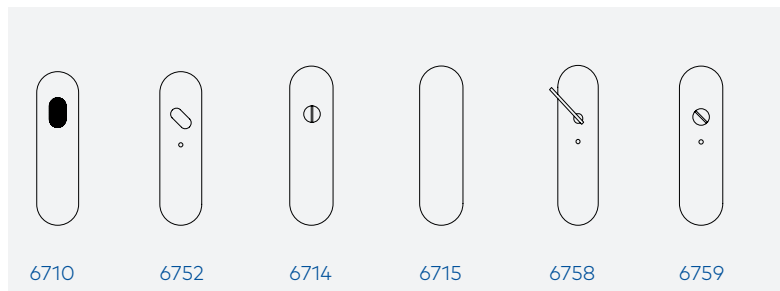
### External concealed fix plates with lever



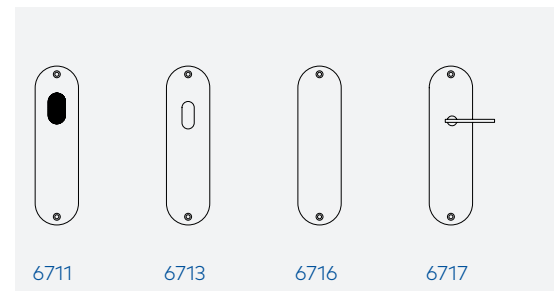
### Internal visible fix plates with lever



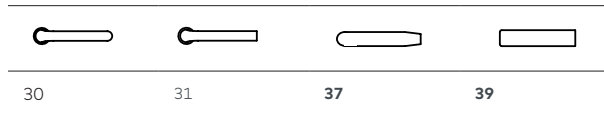
### External concealed fix plain plates



### Internal visible fix plain plates



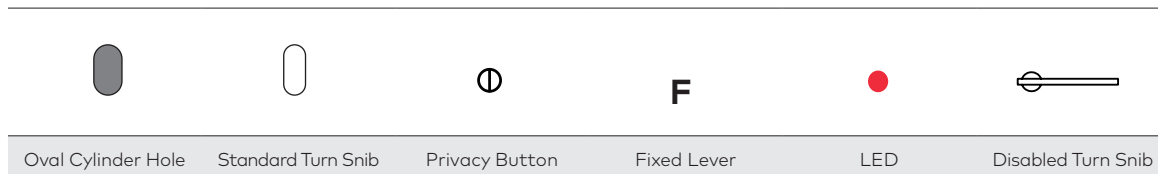
### Lever Style



**Note:** The following levers are AS1428.1 2009 compliant - 30, 37 & 39



### Function







**Door  
Hardware**



**Entrance  
Systems**



**Electronic  
Access & Data**



**Interior Glass  
Systems**



**Lodging  
Systems**



**Mechanical  
Key Systems**



**Safe Locks**



**Services**

**dormakaba Australia**

Head Office  
12-13 Dansu Court  
Hallam VIC 3803  
T: 1800 675 411  
info.au@dormakaba.com  
www.dormakaba.com.au

**dormakaba New Zealand**

Head Office  
Building P, 61-69 Patiki Road  
Avondale, Auckland 1026  
T: 0800 436 762  
info.nz@dormakaba.com  
www.dormakaba.co.nz