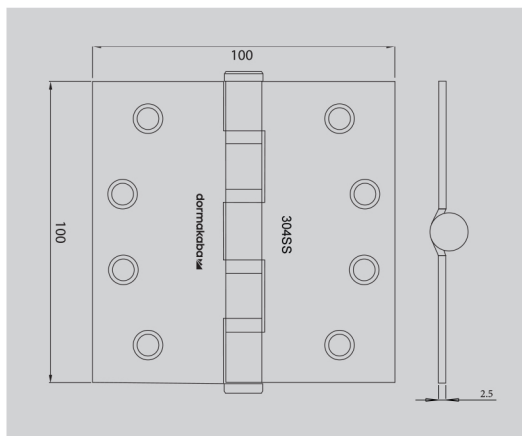


Stainless Steel Hinges

Broad Butt Ball Bearing Button Tipped Hinge



DKH100/100BB/2.5 - 100mm x 100mm Ball Bearing

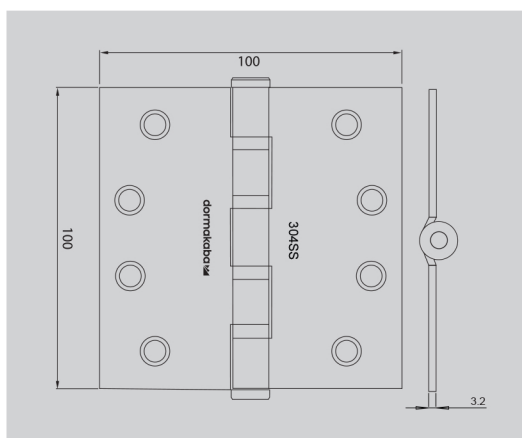
Ball Bearing Broad Butt Hinge suitable for Timber or Metal doors and Timber or Pressed Metal frame applications

Available Finishes

- Satin Stainless Steel
- Polished Stainless Steel
- Black Powder Coat

Features:

- Grade 304 Stainless Steel
- 2 Ball bearings
- Fixed pin with additional securing feature
- Standard pack 20 hinges
- Supplied with (8) x 4.8 x 35mm wood & (4) x M5 x 12mm metal thread screws
- Size 100 x 100 x 2.5mm



DKH100/100BB/3.2 - 100mm x 100mm Ball Bearing Loose Pin

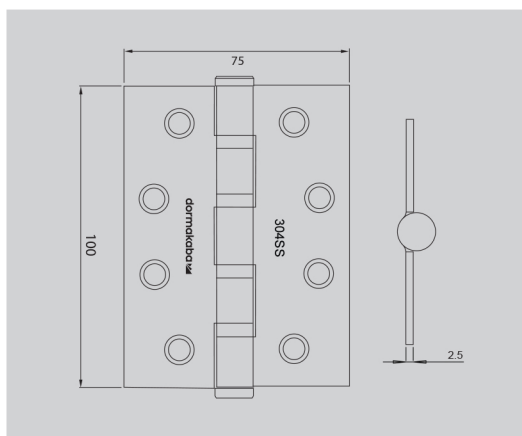
Ball Bearing Broad Butt Hinge suitable for Timber or Metal doors and Timber or Pressed Metal frame applications

Available Finishes

- Satin Stainless Steel
- Polished Stainless Steel

Features:

- Grade 304 Stainless Steel
- 2 Ball bearings
- Loose Pin
- Standard pack 20 hinges
- Supplied with (8) x 4.8 x 35mm wood & (4) x M5 x 12mm metal thread screws
- Size 100 x 100 x 3.2mm



DKH100/75BB/2.5 - 100mm x 75mm Ball Bearing

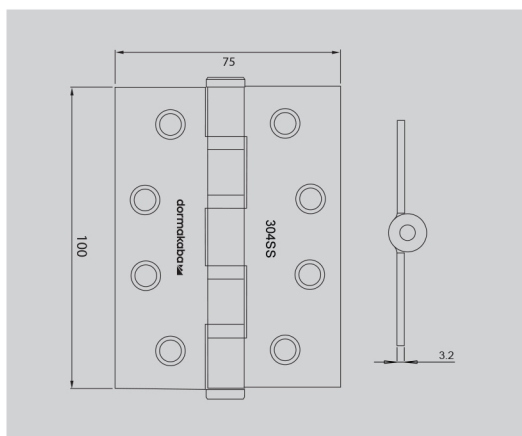
Ball Bearing Broad Butt Hinge suitable for Timber or Metal doors and Timber or Pressed Metal frame applications

Available Finishes

- Satin Stainless Steel
- Polished Stainless Steel
- Black Powder Coat

Features:

- Grade 304 Stainless Steel
- 2 Ball bearings
- Fixed pin with additional securing feature
- Standard pack 20 hinges
- Supplied with (8) x 4.8 x 35mm wood & (4) x M5 x 12mm metal thread screws
- Size 100 x 75 x 2.5mm



DKH100/75BB/3.2 - 100mm x 75mm Ball Bearing

Ball Bearing Broad Butt Hinge suitable for Timber or Metal doors and Timber or Pressed Metal frame applications

Available Finishes

- Satin Stainless Steel
- Polished Stainless Steel

Features:

- Grade 304 Stainless Steel
- 2 Ball bearings
- Loose Pin
- Standard pack 20 hinges
- Supplied with (8) x 4.8 x 35mm wood & (4) x M5 x 12mm metal thread screws
- Size 100 x 75 x 3.2mm