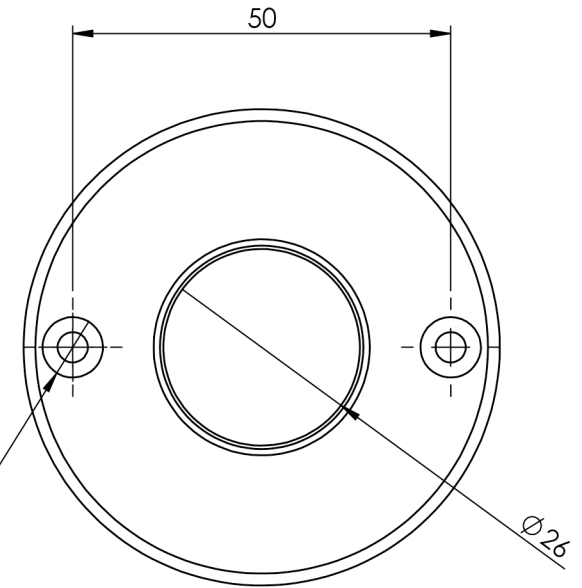


2 x $\phi 4$ THRU ALL
 ✓ $\phi 8 \times 90^\circ$
 □ $\phi 8 \nabla 12$



ITEM NO.	PART NUMBER	DESCRIPTION	QTY.	DRAWN	B DOOLAN	14/07/2017	CAT NO:	REV: A
				CHK'D	U WAUGE	14/07/2017		
1	405-1	ROD SOCKET END	1	MATERIAL	ZINC ALLOY		405	DESCRIPTION: 25MM ROUND ROD SOCKET END
2	SCS-3.5-25	SCREW-C/SUNK-3.5MMX25MM	2	FINISH	CHROME			
				WEIGHT				