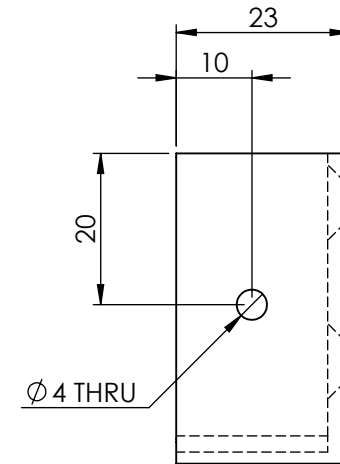
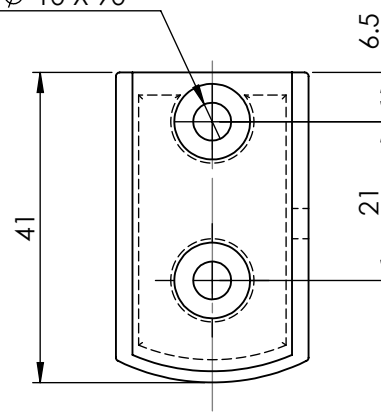


2 x  $\varnothing 5$  THRU ALL  
 $\surd$   $\varnothing 10 \times 90^\circ$



NOTE: BOTH BRACKETS INCLUDED IN KIT

ITEM NO.	PART NUMBER	DESCRIPTION	QTY.
1	SCAENDWH-LH	SUPPORT BRACKET-LH	1
2	SCAENDWH-RH	SUPPORT BRACKET-RH	1
3	SDH-SD-4-16	SCREW-DOME HEAD-SELF DRILLING-4MMX16MM	2
4	SCS-4-40	SCREW-C/SUNK-4MMX32MM	4
5	WP-6-30	WALL PLUG-6MMX30MM	4

DRAWN	B DOOLAN	17/06/2015
CHK'D	U WAUGE	17/06/2015
MATERIAL	ALUMINIUM	
FINISH	WHITE / CLEAR ANODISED	
WEIGHT		

**EMROWARE™**  
[www.emro.com.au](http://www.emro.com.au)

This drawing has been made with due care and attention however Emro do not accept any responsibility for variations. This drawing and information contained is the property of Emro and cannot be used without their consent.

CAT NO: **SCAEND** REV: **A**

DESCRIPTION: **WALL MOUNTING END BRACKET (PAIR)**