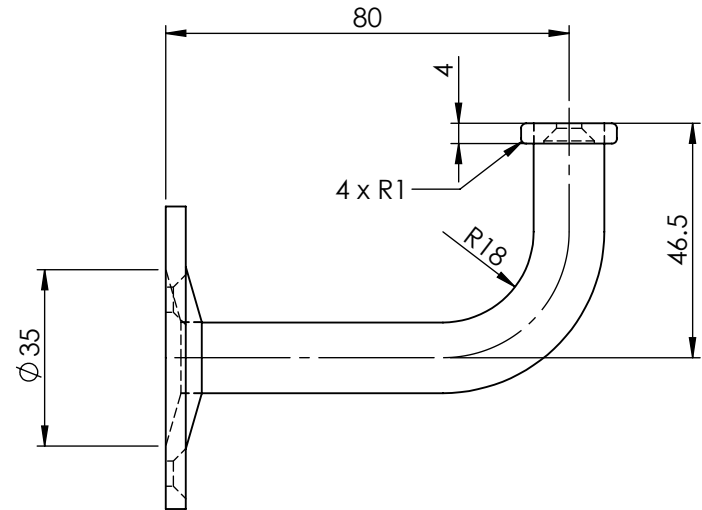


SECTION A-A



ITEM NO.	PART NUMBER	DESCRIPTION	QTY.	DRAWN	B DOOLAN	3/11/2016	CAT NO:	REV: B
				CHK'D	G SIMPSON	3/11/2016		
MATERIAL	316 STAINLESS STEEL							
FINISH	POLISHED							
WEIGHT								
1	SS444FT	BRACKET	1					
2	SCS-5-25	SCREW-C/SUNK-5MMX25MM	2					
3	SCS-5-40	SCREW-C/SUNK-5MMX40MM	3					