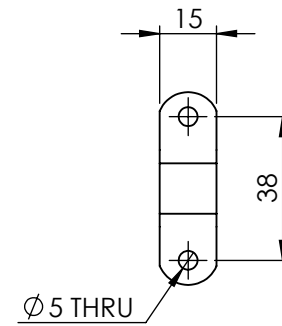
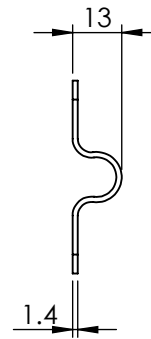
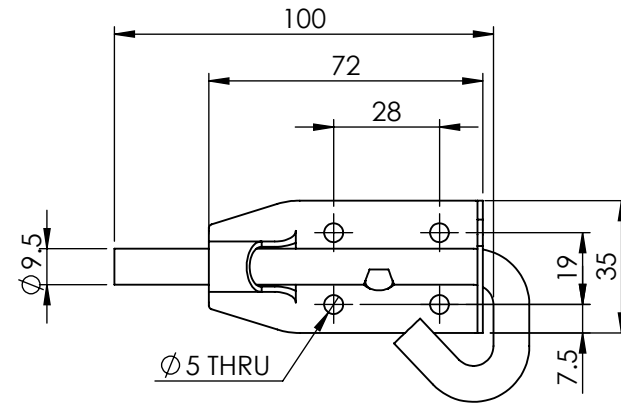


DETAIL ITEM ①



DETAIL ITEM ②

| ITEM NO. | PART NUMBER | DESCRIPTION | QTY. |
|----------|-------------|-------------|------|
| 1        | SSPB110-1   | BRACKET     | 1    |
| 2        | SSPB110-3   | CATCH       | 1    |

|  |                     |            |   |                      |               |
|--|---------------------|------------|---|----------------------|---------------|
| DRAWN  | B DOOLAN            | 17/06/2015 | CAT NO:   | <b>SSPB110</b>       | REV: <b>A</b> |
| CHK'D  | U WAUGE             | 17/06/2015 |   |                      |               |
| MATERIAL   | 316 STAINLESS STEEL |            |   |                      |               |
| FINISH   | SATIN               |            |   |                      |               |
| WEIGHT   |                     |            | DESCRIPTION:  | <b>PADBOLT-100MM</b> |               |
| <br><a href="http://www.emro.com.au">www.emro.com.au</a> |                     |            | This drawing has been made with due care and attention however Emro do not accept any responsibility for variations. This drawing and information contained is the property of Emro and cannot be used without their consent. |                      |               |