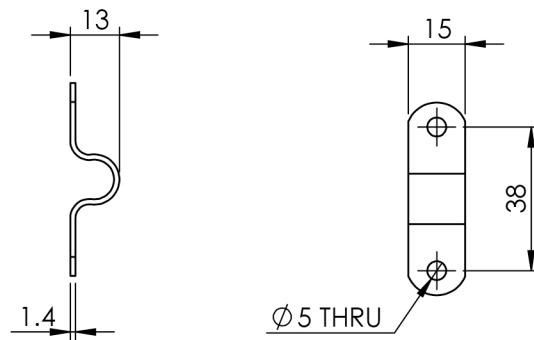
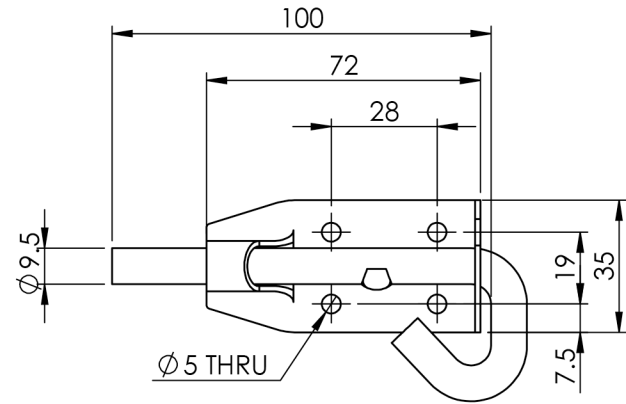


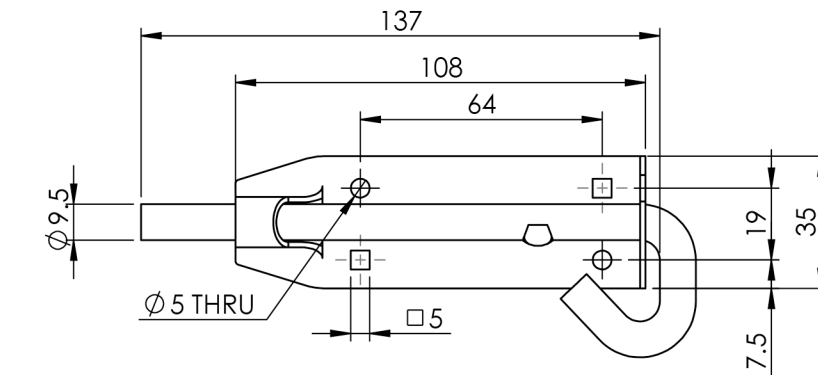
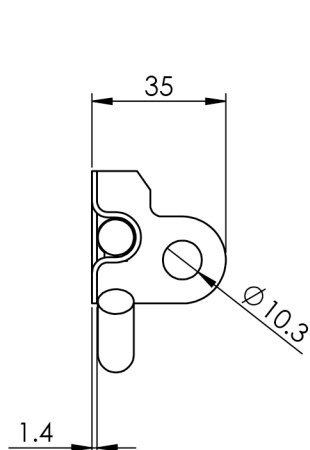
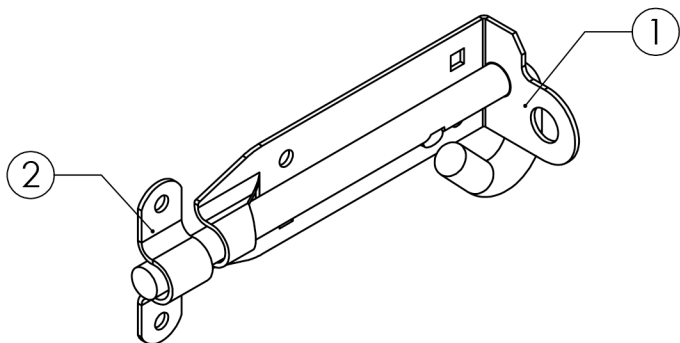
DETAIL ITEM ①



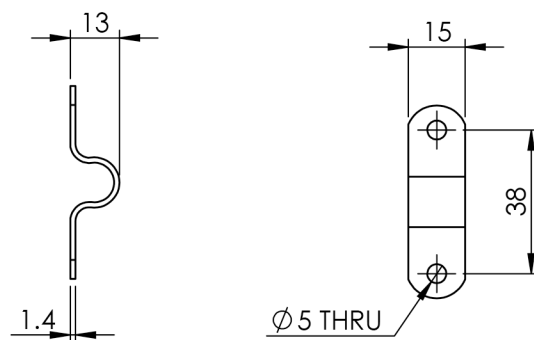
DETAIL ITEM ②

ITEM NO.	PART NUMBER	DESCRIPTION	QTY.
1	SSPB110-1	BRACKET	1
2	SSPB110-3	CATCH	1

DRAWN	B DOOLAN	17/06/2015	CAT NO:	SSPB110	REV: A
CHK'D	U WAUGE	17/06/2015			
MATERIAL	316 STAINLESS STEEL		DESCRIPTION:	PADBOLT-100MM	
FINISH	SATIN				
WEIGHT					
<b>EMROWARE™</b> <a href="http://www.emro.com.au">www.emro.com.au</a>					
<small>This drawing has been made with due care and attention however Emro do not accept any responsibility for variations. This drawing and information contained is the property of Emro and cannot be used without their consent.</small>					



DETAIL ITEM ①



DETAIL ITEM ②

ITEM NO.	PART NUMBER	DESCRIPTION	QTY.
1	SSPB150-1	BRACKET	1
2	SSPB110-3	CATCH	1

DRAWN	B DOOLAN	17/06/2015	CAT NO:	SSPB150	REV: A
CHK'D	U WAUGE	17/06/2015			
MATERIAL	316 STAINLESS STEEL		DESCRIPTION:	PADBOLT-150MM	
FINISH	SATIN				
WEIGHT					
 <a href="http://www.emro.com.au">www.emro.com.au</a>					
<small>This drawing has been made with due care and attention however Emro do not accept any responsibility for variations. This drawing and information contained is the property of Emro and cannot be used without their consent.</small>					