

FLOOR MOUNTED DOOR STOP, CONCEALED

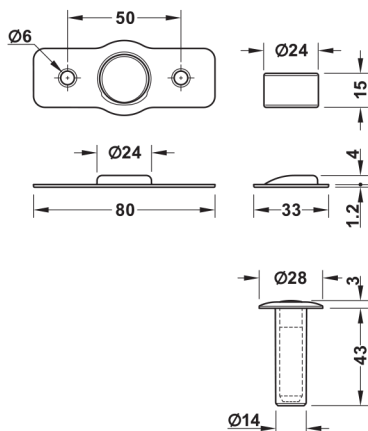
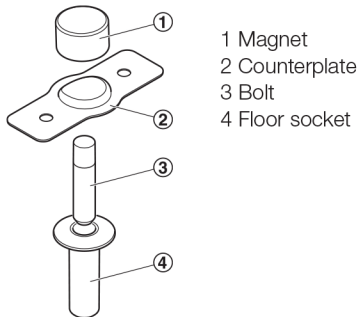
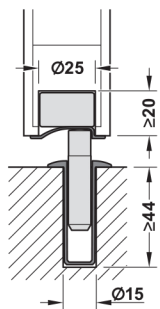
This magnetic door stop is an elegant yet highly functional doorstop that is trip hazard free, comes in a range of colours and includes a hold-open function.



Magnetic door stop, concealed



- > Application: Hinged doors made from wood or metal for indoor use
- > Hold-open function (28 Nm)
- > Prevents damage to the wall and door
- > Prevents 'spring-back' and holds the door in an open position
- > No risk of tripping
- > Installation:
 - Floor socket: For recess mounting in the floor
 - Counterplate and magnet: For recess installation in door leaf
- > Floor socket: Transparent or black plastic or chrome plated zinc alloy
- > N30 neodymium magnet, steel bolt, plastic counterplate
- > Order qty: 1 pc



Finish	Cat. No.
Transparent	938.70.009
Black	938.70.003
Polished chrome plated	938.70.002
Brushed chrome plated	938.70.004