



**halliday
baillie**

HB 630 SERIES

SLIDING DOOR ENTRY LOCK SET – 55mm BACKSET

The Halliday + Baillie HB 630 sliding door lock set series allows several lock functions for sliding doors requiring keyed security. This series uses a "snib" (a slide block that acts like a traditional thumb turn) to throw the bolt.

Sliding the snib operates the bolt unless the cylinder is engaged. The key cylinder will lock the snib in place and does not activate the bolt. Please note that Euro Profile Cylinders are used with these sets and are sold separately. Various flush pull configurations are available as below.

Flush Pull Material : Diecast Zinc and Brass

Lock Body Material : Diecast Zinc, Brass, 316 Stainless Steel

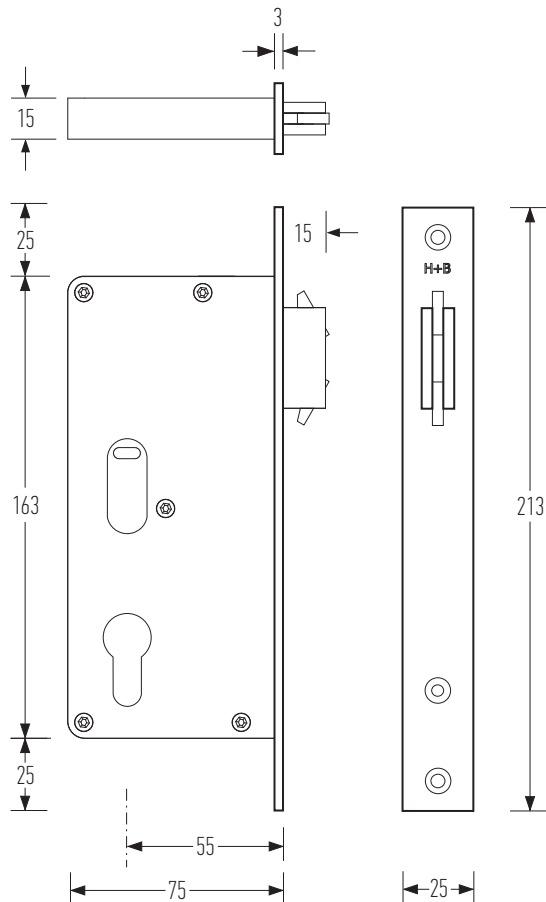
Backset : 55mm

Minimum door thickness : 38mm

Flush pulls : 250 x 36 x 13

Internal grip depth : 11mm

Suitable for timber or wide profile aluminium doors



Standard HB 630 set includes :

- HB 630 Series Lock Body
- Two HB668 Flush Pulls
- HB 604 Fixing Kits (one set for HB 633)
- Strike and Dust Box - Standard
- Two spindle lengths (please specify door thickness for doors over 50mm)
- Fasteners
- Cylinder ordered separately for slider thickness



Standard
dustbox and strike plate



To be used with the HB 604
Timber fixing Kit on timber doors

Configurations :

HB 630 : Key/Snib Both Sides

HB 632 : Key/Snib In, Blank Out

HB 633 : Key/Snib In, No Pull Out



Sold separately
for slider thickness

Available in all standard
Halliday + Baillie finishes,
see finishes sheet for further details.



Snib/Key
HB 630 configuration shown

Snib/Key
HB 632 configuration shown

Snib/Key
HB 633 configuration shown

Blank
HB 632 configuration shown

Snib/Key
HB 633 configuration shown

* Packer strike HB 641 also available

Designed and manufactured in New Zealand. For more information, installation templates, and measured drawings of this product and others please visit : www.hallidaybaillie.com or contact your authorized Halliday + Baillie dealer. All information subject to change.