

## HB 678

### FLUSH D PULL

Inspired by the popular HB 675 Bi-fold Flush Pull, the HB 678 has been developed with flexibility in mind. With an integrated D Handle within the flush pull itself, the HB 678 does double duty as both flush pull and pull handle. Useful where flush mounting is required, but the additional grip of a handle is desirable.

Flush D Pulls are suitable for surface sliding doors, pivot, or bi-fold doors and cabinetry. Unlike our other options suitable for bi-fold, hinge, or pivot doors, the HB 678 is a non-handed pull.

Ball bearings in the casing hold the D Handle in place when closed. For the longer 250mm (9.84") version, please see the HB 679.

Each Flush Pull is shipped with one set of the HB 604 Timber Fixing kits. Handing is not required for order.

**Material** : Diecast Zinc and Brass

**Dimensions** : 170 ( 6.69" ) x 50 ( 1.97" ) x 19 ( 0.75" )

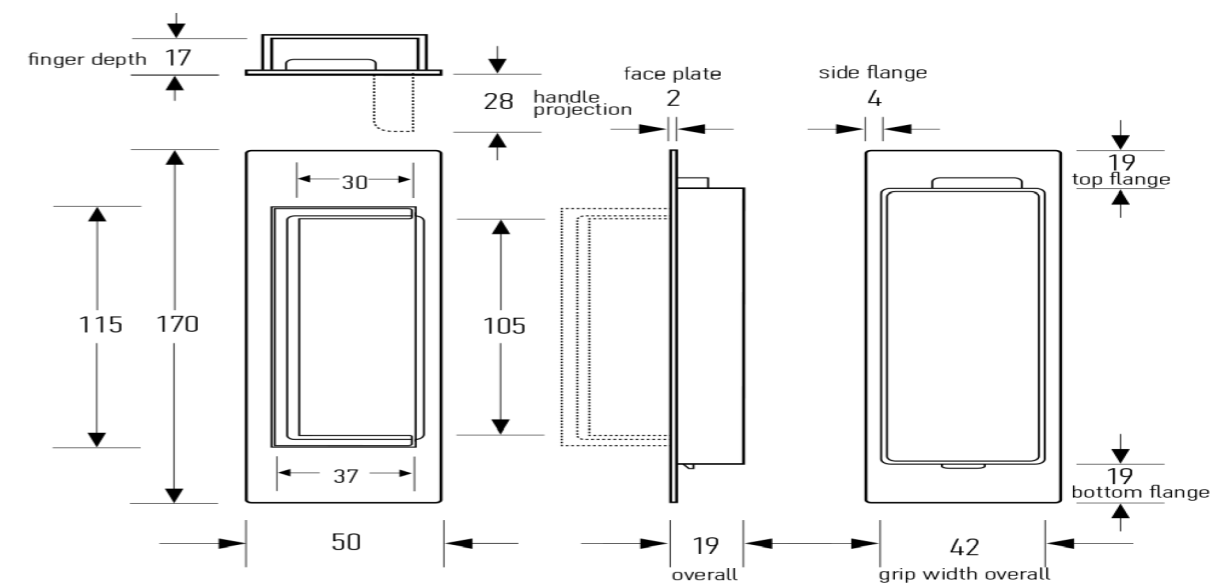
**D Handle Projection** : 28 ( 1.10" ) from face of flush pull

Suitable for timber or aluminum doors.

Available in electroplate finishes only (powder coat unavailable). See finishes sheet for further details.



Includes HB 604 Timber Fixing Kit for timber door installation.





# halliday baillie

## HB 679

### FLUSH D PULL - TALL

Matching the HB 677 Bi-fold Flush Pull, the HB 679 has been developed with flexibility in mid. With an integrated D Handle within the flush pull itself, the HB 679 does double duty as both flush pull and pull handle. Useful where flush mounting is required, but the additional grip of a handle is desirable.

Flush D Pulls are suitable for surface sliding doors, pivot, or bi-fold doors and cabinetry. Ball bearings in the casing hold the D Handle in place when closed. For the shorter 170mm (6.69") version, please see the HB 678.

Each Flush Pull is shipped with one set of the HB 604 Timber Fixing kits. Handing is not required for order.

**Material :** Diecast Zinc and Brass

**Dimensions :** 250 ( 9.84" ) x 50 ( 1.97" ) x 19 ( 0.75" )

**D Handle Projection :** 28 ( 1.10" ) from face of flush pull

Suitable for timber or aluminum doors.

Available in electroplate finishes only (powder coat unavailable). See finishes sheet for further details.



Includes HB 604 Timber Fixing Kit for timber door installation.

