

**halliday
baillie**

HB 680

PUSH BUTTON EDGE PULL 170mm

The HB 680 Push Button Activated Edge Pull for pocket doors has been designed to match the 170mm height of the HB 660 and HB 660/35 Flush Pulls. Its slim faceplate, smooth push-button release and narrow 49mm body depth make it suitable for sliding wood passage doors, including wide stile timber and aluminum cavity sliding doors.

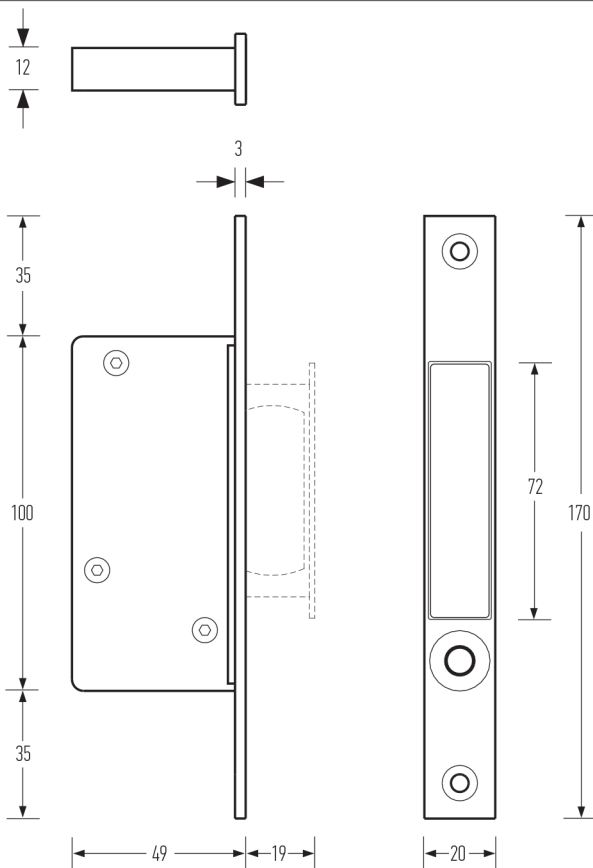
Shown here with the HB 660 Flush Pull. A minimum door thickness of 38mm is required. For 35mm thick doors, please specify the HB 660/35.

Each Edge Pull ships with all fixings. Flush Pulls sold seperately.

Material : Diecast Zinc and Brass
Dimensions (overall) : 170 x 20 x 49
Dimensions (case to be morticed) : 100 x 49 x 12
Handle Projection : 19mm

Suitable for timber or aluminium doors.

Available in all standard Halliday + Baillie finishes. See finishes sheet for further details.



Designed and manufactured in New Zealand. For more information, installation templates, and measured drawings of this product and others please visit : www.hallidaybaillie.com or contact your authorized Halliday + Baillie dealer. All information subject to change.

HB 604 TIMBER FIXING KIT

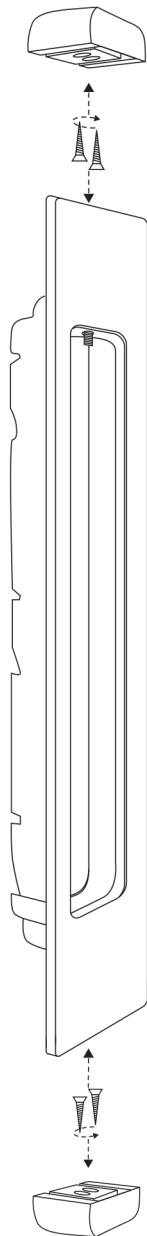
The HB 604 allows various Halliday + Baillie flush pulls to be installed into timber joinery with concealed fixing.

Most of our flush pull handle range are designed to go straight into aluminium or steel joinery without the use of these kits.

For each flush pull you require 1 x HB 604 Timber Fixing Kit. All flush pulls ship with the timber fixing kit.

Flush Pulls using HB 604:

HB 650
HB 660
HB 660/35
HB 665
HB 668
HB 670
HB 675
HB 677
HB 678
HB 679
HB 3370
HB 3375



Screw fixing kits shown for timber

HB 604 Timber Fixing Kit on timber doors



HB 660 FLUSH PULL 6.69"

The Halliday + Baillie HB 660 Flush Pull is the standard for elegant simplicity. Use this pull with the HB 680 Edge Pull for sliding pocket doors. To ensure a seamless look throughout the project, the matching HB 690 sliding door lock can be specified for privacy doors.

If using back to back together with the HB 680 Edge Pull, a minimum door thickness of 1½" is required. For 1.38" thick doors, please specify the HB 660/35.

Each Flush Pull is shipped with one set of the HB 604 Timber Fixing kits.

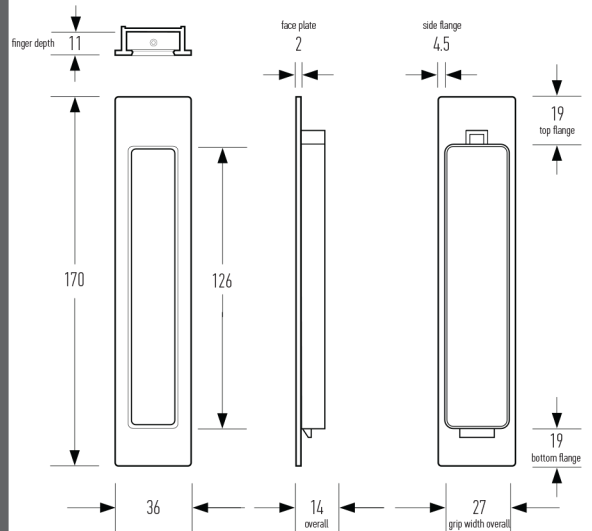
Material : Diecast Zinc and Brass

Dimensions : 6.69" x 1.42" x 0.55"

Internal grip depth : 0.43"

Suitable for timber or aluminum doors.

Available in all standard Halliday + Baillie finishes. See finishes sheet for further details.



To be used with the HB 604 Timber Fixing Kit on timber doors



Designed and manufactured in New Zealand. For more information on this product and others please visit www.hallidaybaillie.com. For dealers in North America, contact Bridgeport Worldwide +1-800-362-1484 www.BridgeportWorldwide.com/hallidaybaillie. All information subject to change.