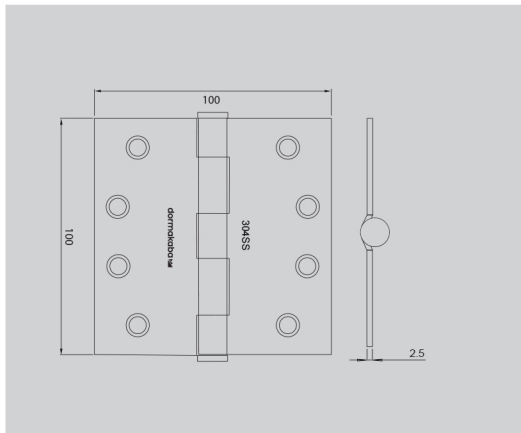


# Stainless Steel Hinges

# Broad Butt Button Tipped Hinges



## DKH100/100FP - 100mm x 100mm Fixed Pin

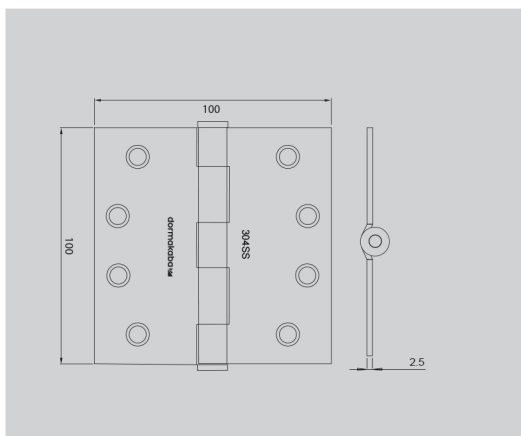
Broad Butt Hinge suitable for Timber or Metal doors and Timber or Pressed Metal frame applications

### Available Finishes

- Satin Stainless Steel
- Polished Stainless Steel
- Black Powder Coat

### Features:

- 304 Grade Stainless Steel
- Fixed pin with additional securing feature
- Standard pack 20 hinges
- Supplied with (8) x 4.8 x 35mm wood & (4) x M5 x 12mm metal thread screws
- Size 100 x 100 x 2.5mm



## DKH100/100LP - 100mm x 100mm Loose Pin

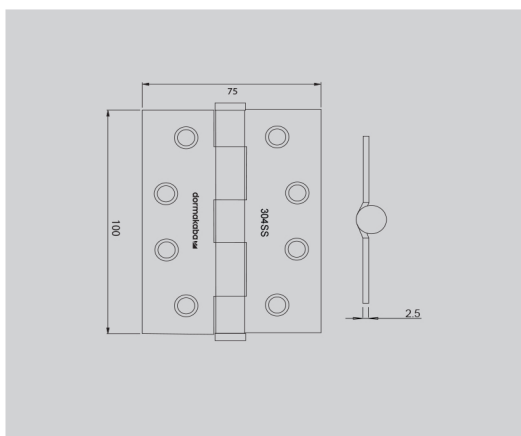
Broad Butt Hinge suitable for Timber or Metal doors and Timber or Pressed Metal frame applications

### Available Finishes

- Satin Stainless Steel
- Polished Stainless Steel

### Features:

- 304 Grade Stainless Steel
- Loose pin
- Standard pack 20 hinges
- Supplied with (8) x 4.8 x 35mm wood & (4) x M5 x 12mm metal thread screws
- Size 100 x 100 x 2.5mm



## DKH100/75FP - 100mm x 75mm Fixed Pin

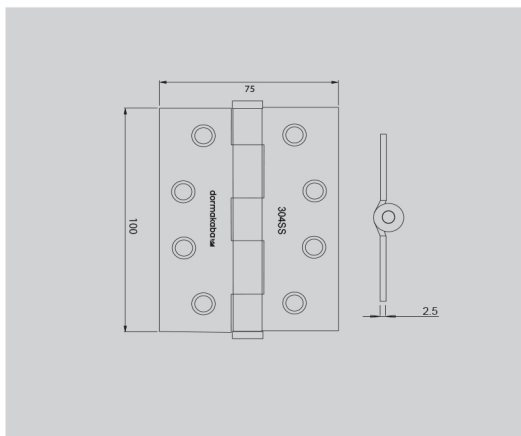
Broad Butt Hinge suitable for Timber or Metal doors and Timber or Pressed Metal frame applications

### Available Finishes

- Satin Stainless Steel
- Polished Stainless Steel
- Black Powder Coat

### Features:

- 304 Grade Stainless Steel
- Fixed pin with additional securing feature
- Standard pack 20 hinges
- Supplied with (8) x 4.8 x 35mm wood & (4) x M5 x 12mm metal thread screws
- Size 100 x 75 x 2.5mm



## DKH100/75LP - 100mm x 75mm Loose Pin

Broad Butt Hinge suitable for Timber or Metal doors and Timber or Pressed Metal frame applications

### Available Finishes

- Satin Stainless Steel
- Polished Stainless Steel

### Features:

- 304 Grade Stainless Steel
- Loose pin
- Standard pack 20 hinges
- Supplied with (8) x 4.8 x 35mm wood & (4) x M5 x 12mm metal thread screws
- Size 100 x 75 x 2.5mm