

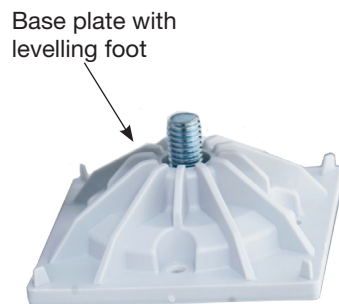
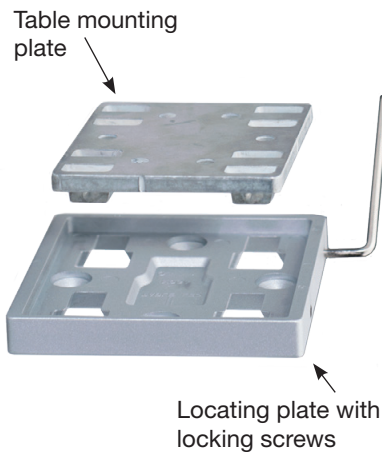
Kethy

Table Legs

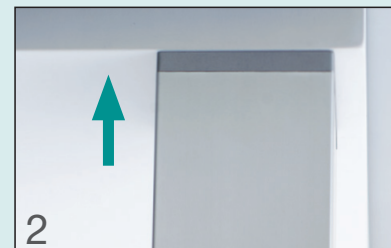
CUT TO CUSTOM SPECIFICATIONS

Anodised Aluminium

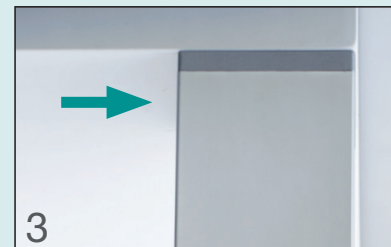
FL880



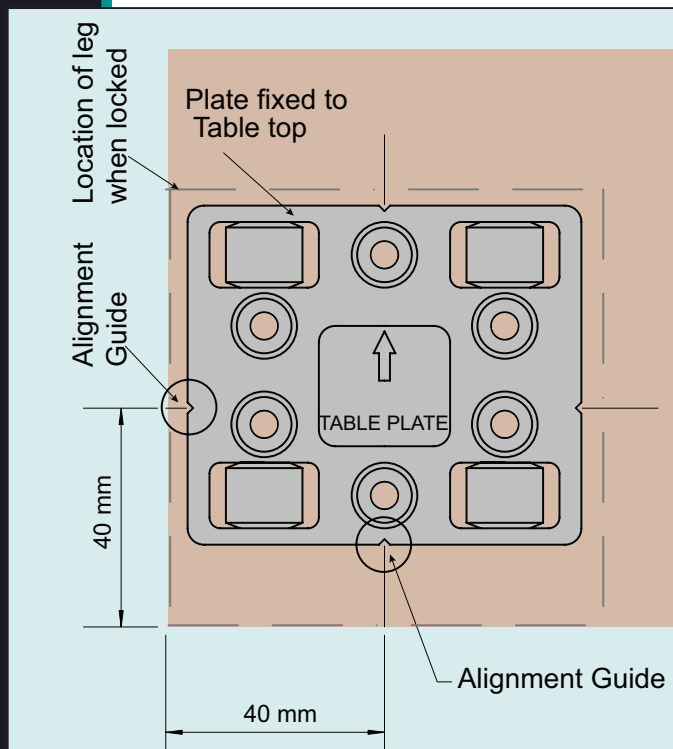
1 Attach mounting plate to table



2 Locate leg over mounting plate



3 Click leg into position and lock with Allen key



FL880

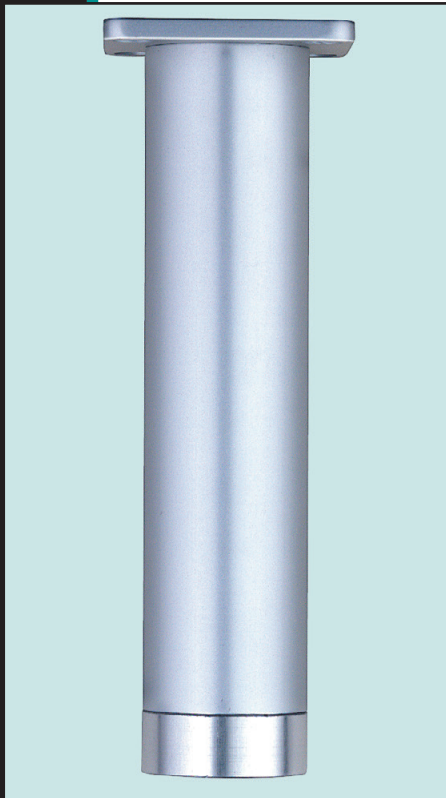
Patented slot-together bracket allows for flat transportation and fast, easy on-site assembly. 80mm X 80mm anodised aluminium leg with adjustable levelling foot. Standard height 730mm or cut to your specification, legs supplied with locating plate and base plate attached. Ideal for free standing tables.

GREG STEELE TRADING PTY. LTD.

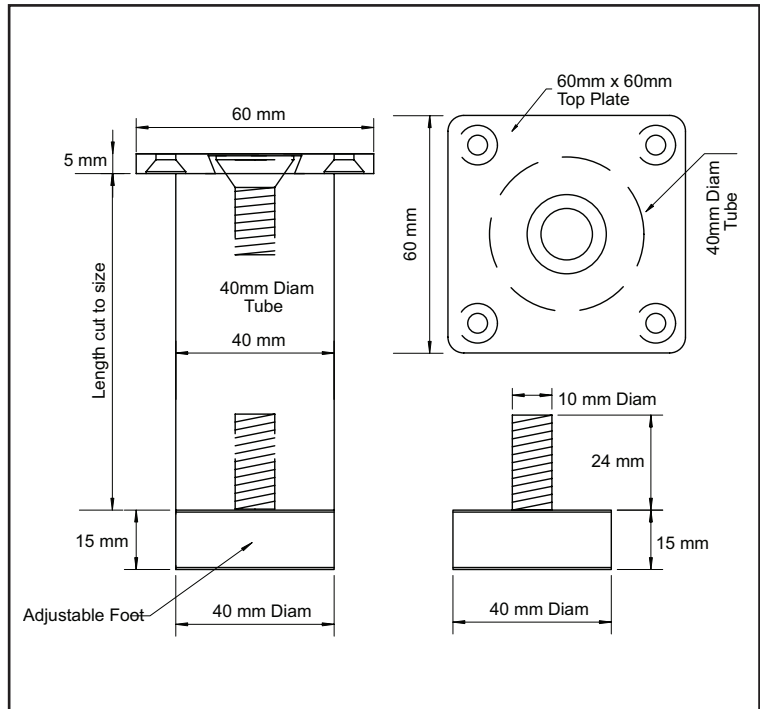
UNIT 15, 29/33 WARATAH STREET, KIRRAWEE, NSW, 2232 PHONE: 02 9542 4991 FAX: 02 9542 4662 www.kethy.com

FURNITURE LEGS

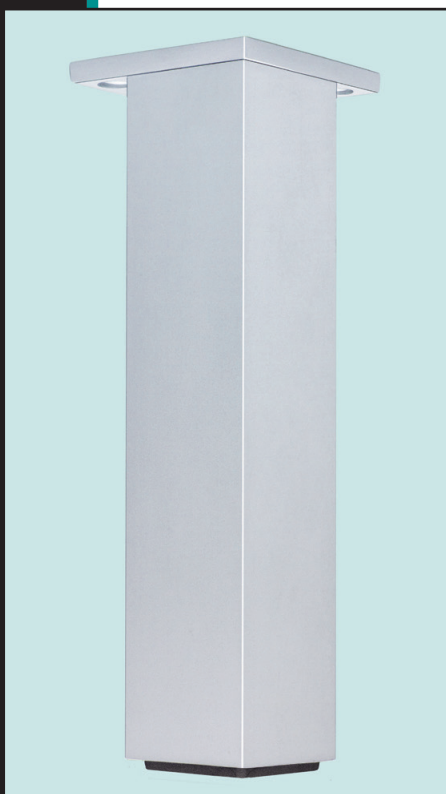
FL675 and FL685 are designed as stylish short furniture legs or as taller supports for bench tops attached to a wall or island unit. Their compact attachment is not suitable for full-height legs on a freestanding table.



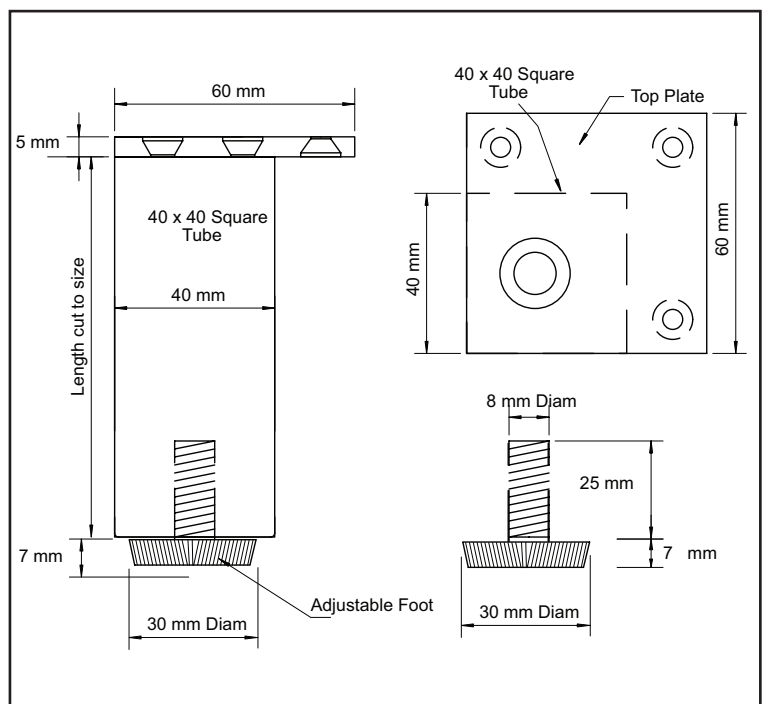
FL675



FL675 Round Aluminium Furniture leg 40mm Ø. Available in standard 195mm or custom made up to 1600mm. Aluminium foot with 10mm adjustment. Colours available: Matt Aluminium



FL685



FL685 Square Aluminium Furniture leg 40mm sq. Available in standard 195mm or custom made up to 1600mm. Black plastic foot with 10mm adjustment. Colours available: Matt Aluminium

GREG STEELE TRADING PTY. LTD.