

IS3070si (IS3100si)



The IS3070si weather resistant door bottom seal can be fitted without removing the door, and can be used with alternative threshold plates. This seal provides effective containment against cold smoke, sound, dust, light, insects and weather. The aesthetic cover strip ensures there is no visible screw line.

The IS3100si set incorporates an IS3070si door bottom seal plus an IS4100 threshold plate.

Gap size

- Min. 12mm / max. 20mm

Standard lengths

- 1000mm
- 2250mm
- Also available in: 250mm increments from 1000mm to 5000mm

Standard colours

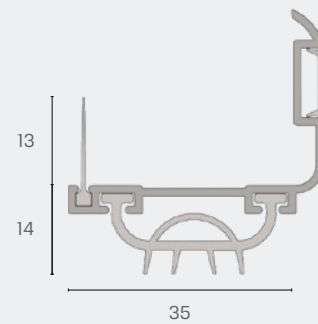
- Silver anodised aluminium carrier with grey silicone gasket and cover strip. (Black silicone gasket and cover strip also available upon request)

Fixing

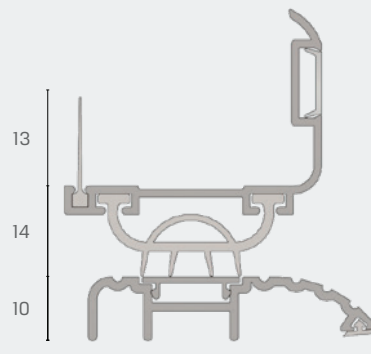
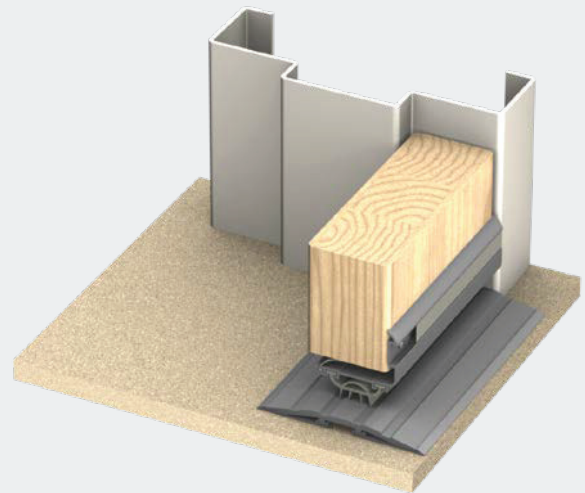
- Fixing screws are supplied with detailed fitting instructions
- Fixing holes are pre-drilled and slotted to allow the seals to be adjusted and positioned accurately

Approval/s

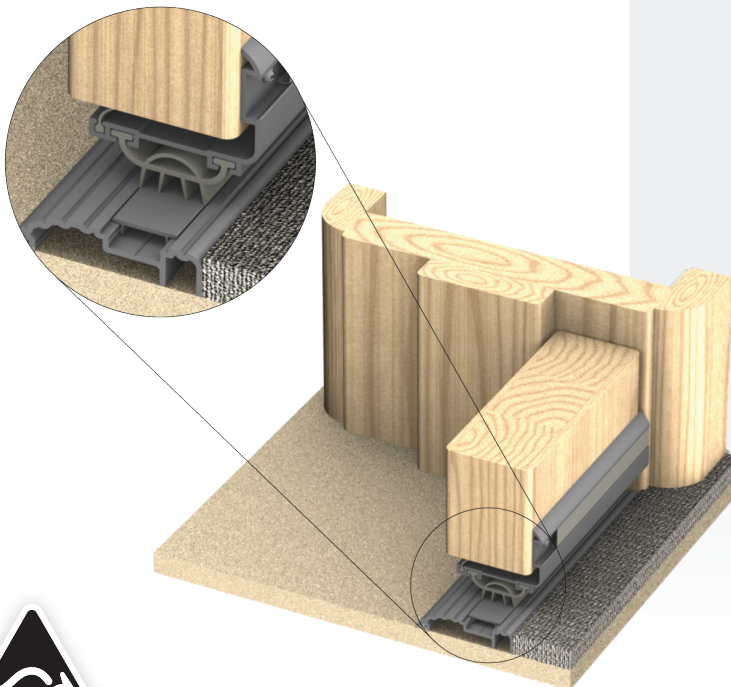
- Conforms with BCA Specification C3.4 smoke sealing requirements
- Acoustically tested in accordance with AS1191, ISO140.3 and ISO10140-2



IS3070si



IS3100si



Kilargo IS3070si (IS3100si) | Last edit 10/04/2018

15 Wentworth Pl, Banyo QLD 4014, Australia
P +61 7 3635 5000 F +61 7 3861 9266 E sales@kilargo.com.au W kilargo.com.au