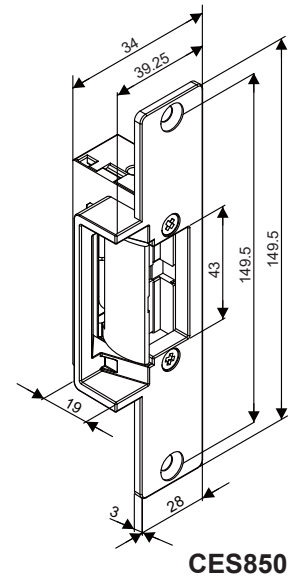
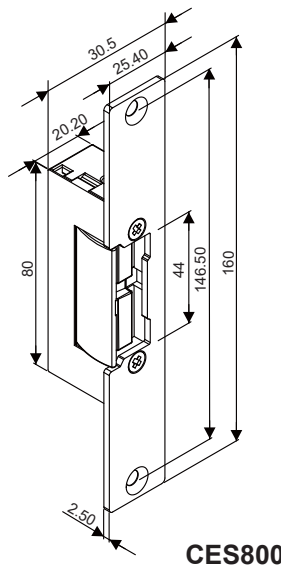
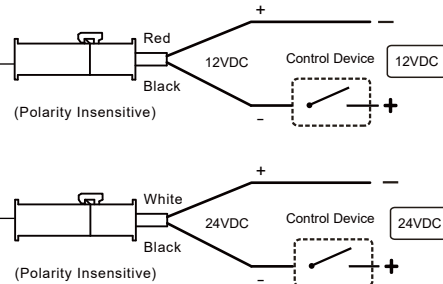
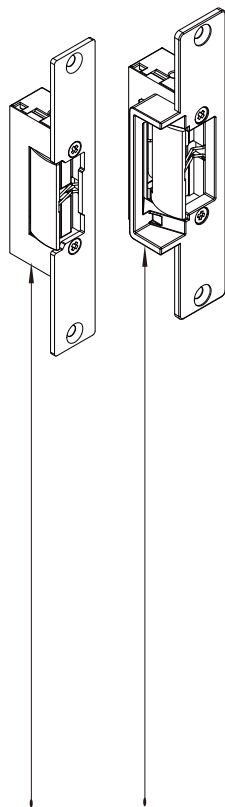


Specification

- ◆ Operating Voltage: 12/24VDC
- ◆ Current Draw: 300mA/12VDC
150mA/24VDC
- ◆ Operating Temperature: 32°F to 120°F (0°C to 49°C)
- ◆ Humidity: 0% to 85% Non-condensing
- ◆ Life Rating of Solenoid: over 500,000 cycles
- ◆ Latch Throw: CES800 series: 12 mm
CES850 series: 15 mm
- ◆ Keeper width: CES800 series: 44 mm
CES850 series: 43 mm
- ◆ Material: Zinc alloy main stand
Stainless steel faceplate
- ◆ Weight (approx.): CES800 series 250g
CES850 series 280g

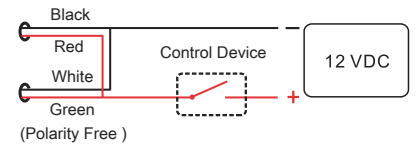


Wiring Diagram Dual Voltage (12/24V)

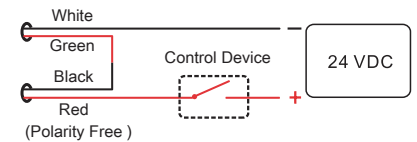


Dual Voltage (12V/24V)

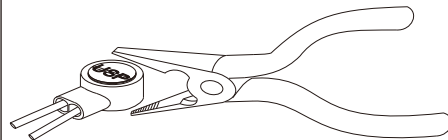
12 VDC



24 VDC

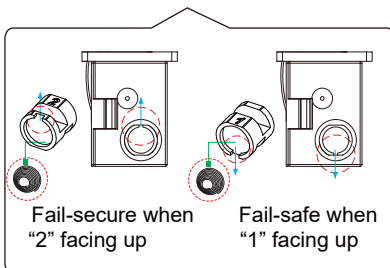


Butt Splice (IDC) Connector

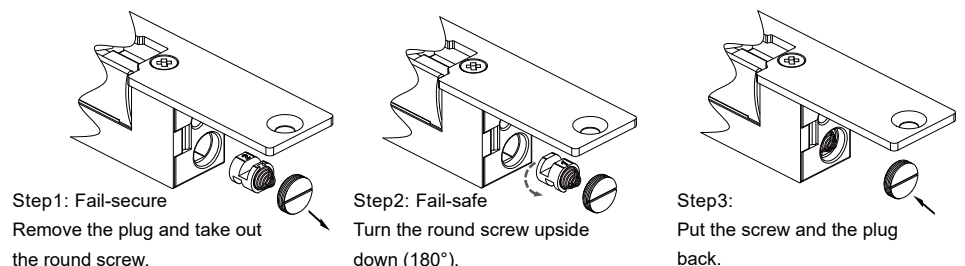


Place the wire inside the connector and use pliers to press down on the head of the connector evenly.

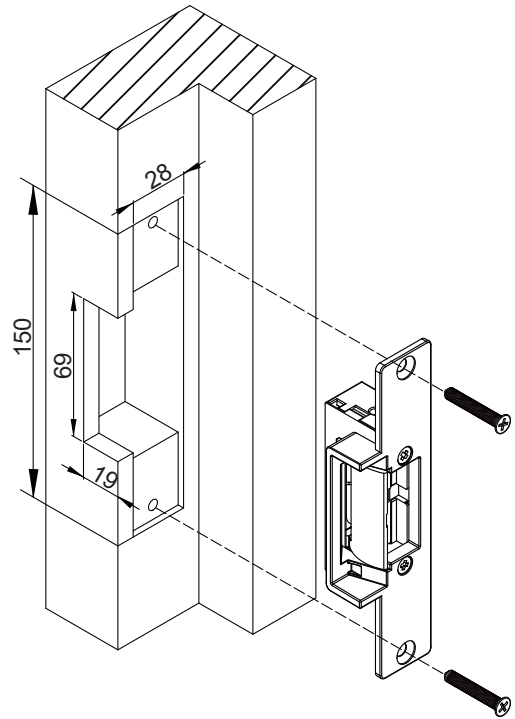
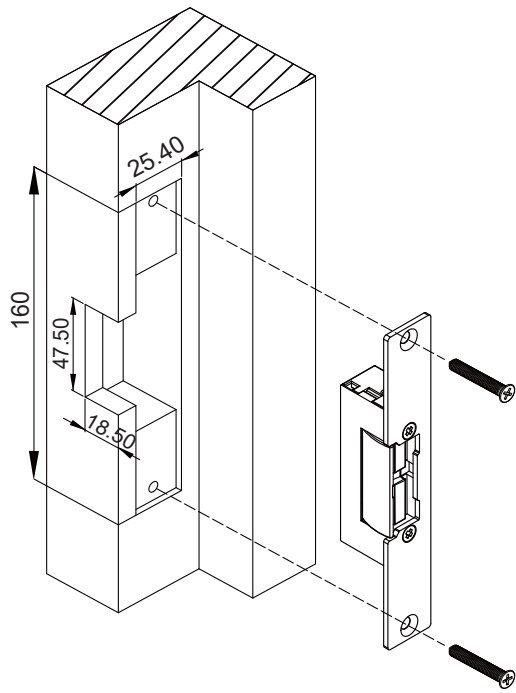
Control Mode



Version Adjustment:



Mortise Mount on Wooden Frames



Mortise Mount on Hollow Metal Frames

