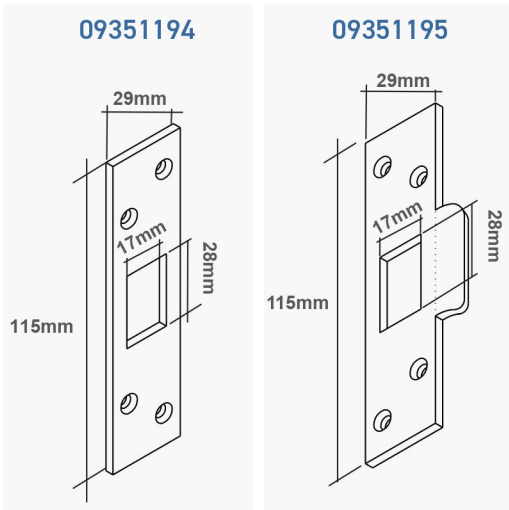


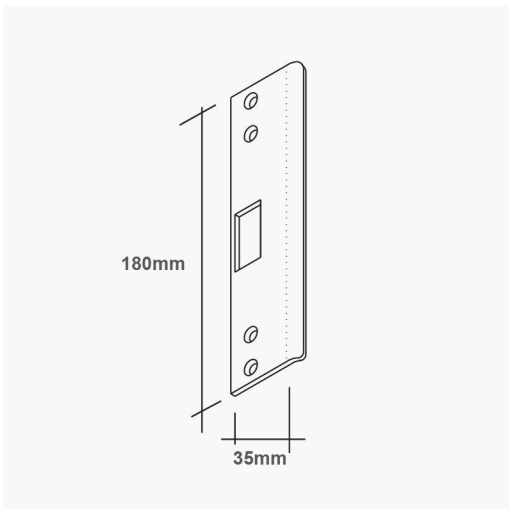
EXTENDED STRIKERS

STAINLESS STEEL



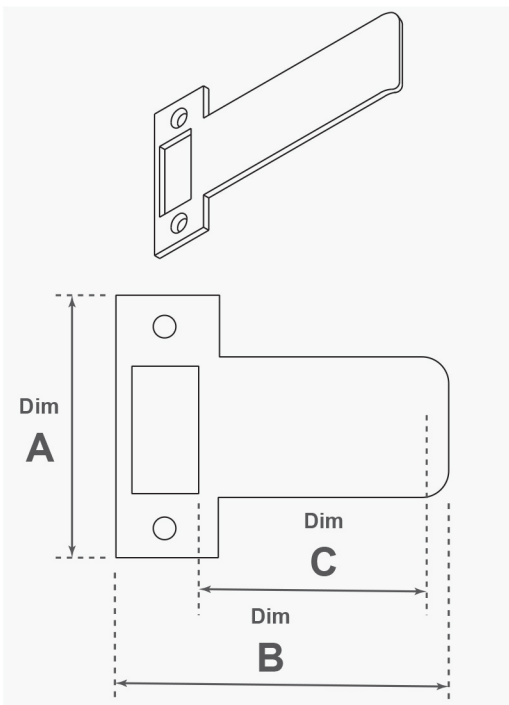
STAINLESS STEEL EXTENDED STRIKERS 1.2MM THICKNESS

Part No.	External Plate Size	Internal Hole Size	Material
09351194	115mm x 29mm	17mm x 28mm	Stainless Steel
09351195	115mm x 29mm	17mm x 28mm	Stainless Steel



EX STRIKERS 1.2MM THICKNESS

Part No.	Dimensions	Material
09351163	180mm x 35mm	Stainless Steel
09351162	180mm x 75mm	Stainless Steel
09351235	160mm x 75mm	Stainless Steel



EXTENDED STRIKERS 1.2MM THICKNESS

Part No.	Dim. A & B	Material	Dim. C
09351236	70mm x 53mm	Stainless Steel	22mm
09351133	70mm x 60mm	Stainless Steel	30mm
09351134	70mm x 70mm	Stainless Steel	40mm
09351192	70mm x 80mm	Stainless Steel	50mm
09351193	70mm x 105mm	Stainless Steel	75mm
09351135	70mm x 130mm	Stainless Steel	100mm
0760291003	70mm x 155mm	Stainless Steel	125mm
09351247	70mm x 230mm	Stainless Steel	200mm