

## ALUMINIUM INTERFOLD HINGE

Code No. A 124

### APPLICATION

- Suitable for aluminium entrance doors in high usage situation
- Suitable for either centre pocket or front edge glazing systems.
- Suitable for some timber door applications.
- Pre-drilling of the holes in the timber may be required.

### SPECIFICATION

- **Alloy:** High strength T.6 minimum tensile 254 mpa.
- **Pin Dia:** 6mm 304 Stainless Steel with machined chamfer both ends.
- **Bushes:** Flanged nylon.
- **Knuckle:** Squareline - Heavy Duty
- **Aluminium Endcaps:** Pressed-in interference fit.
- **Maximum Weight Capacity:** 20 kg (turn over for further information)

### INSTALLATION GUIDE ONLY

- **Door thickness: Minimum 35mm.**
- When using a door closer, we recommend a minimum of 3 hinges be used, with the top hinge located as high as possible. For excessive usage, a fourth hinge may be required.
- Standard Door: 2040 (H) x 820 (W)
- Locator allows for fast fixing.

### FIXING

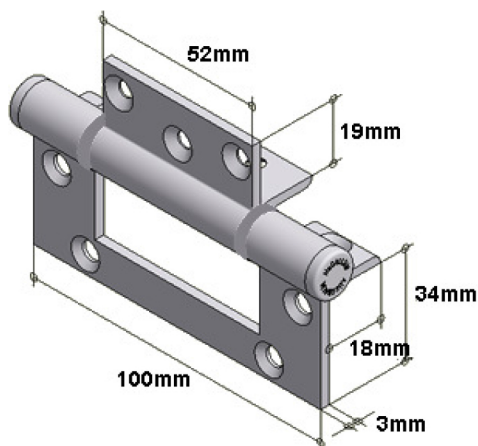
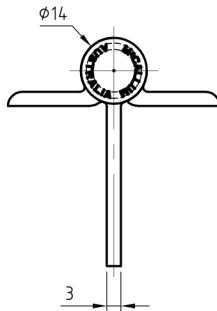
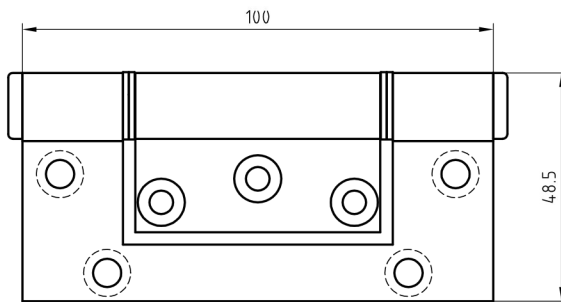
- **Fastening screws supplied.**
- Locator allows for Fast-Fixing.

### FINISH

- SNA - Satin Natural Anodised
- Black - Black Powder Coat
- White - White Powder Coat

### OLD CODE NO.

- A104 SF



Code No. A 124