

SOAP DISPENSERS



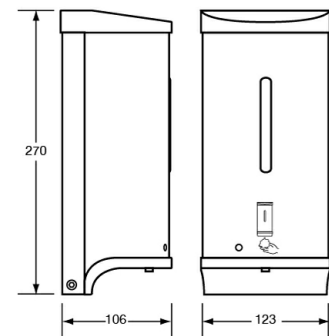
ML_MSD_FOAMDISP_SS

Auto Foam Soap Dispenser in Satin Stainless Steel

Specification

Material	#304 Stainless Steel Case, ABS Top & Base
Finish	Satin Stainless Steel Case, Grey top & Base
Specify	ML_MSD_FOAMDISP_SS
Mounting	Surface Mount Concealed Fix
Dimensions	270mmH x 123mmW x 106mm D
Capacity	800ml removable reservoir
Features	Provides one foam spray(0.6~0.8mL) per cycle Auto Operation: Infrared Sensor Operated/Powered by four AA Batteries (not included) provides approx 25,000 cycles/one year usage LED Standby and Low Battery Light Liquid Level Indicator Can be used with select Medical Grade Soap Vandal resistant security lock (key provided) Spare part available: ML_MSD_FOAMPUMP & ML_MSD_CO
Consumable Advice	A Commercial Grade Foam Soap with a Viscosity of 1cps (centipoise) should be used in this dispenser to ensure the dispenser performs at an optimal level. <i>* Any soap used that is not in line with the advice above may cause the unit to operate at a sub-optimal level, fail or damage the unit and could void the Metlam Australia product warranty.</i>
Metlam Australia Consumable	ML_HFS : Hand Foam Soap Aloe Vera
Also Available	ML MSD FOAMDISP_BLK : Designer Black
Note	* This unit is accessible compliant when installed in accordance with AS1428.1 guidelines.

For installation instructions download the Metlam Australia App



Downloads & Resources

Care & Maintenance

Installation instructions

Revit

Associated Videos

Stainless Steel Cleaning & Maintenance

Looking after your Metlam Australia Automatic Soap Dispenser

How to install a Metlam Australia MSD Soap Dispenser

Metlam Australia Pty Ltd reserves the right to, and from time to time, make changes and improvements in design and dimensions.