

# TOILET PARTITION HARDWARE



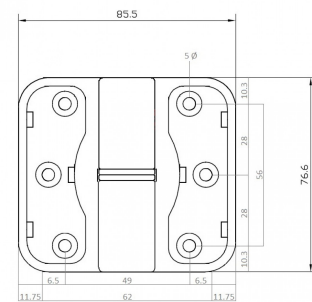
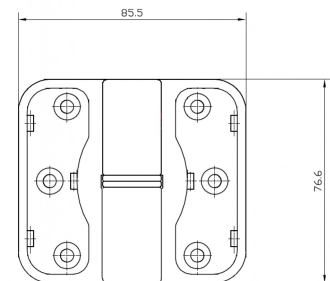
## MODA\_SPRING\_ANMB

Moda Spring Hinge - Antimicrobial

### Specification

Material	Diecast Zinc, Alloy ZP3 Brass Shaft Nylon Inserts ABS Snap-On Covers
Finish	Antimicrobial Coating
Mounting	Concealed Screw Fix
Specify	<a href="#">MODA_LHSPRING_ANMB</a> : Left Hand <a href="#">MODA_RHSPRING_ANMB</a> : Right Hand
Features	Spring-assisted door opening/door closing Fully Adjustable Spring to suit door - No Tension to Full Tension Spring Reversible Hold Open / Hold Closed Liftoff capability
Minimum Hinge Clearance For Lift-Off Hinges	35mm
Load Rating	15Kg per hinge For optimum performance - 2 hinges per door up to 30Kgs For doors over 30Kg allow for 15Kg per hinge <i>Note: 3 Hinges per door is recommended to prevent</i>
Also Available	<a href="#">MODAHINGE_SCP</a> : Satin Chrome Plate <a href="#">MODAHINGE_DESIGNER</a> : Designer Black
Notes	All hinges are available with or without fixings. Please nominate your requirements at the time of ordering.

For installation instructions download the Metlam Australia App



### Downloads & Resources

- Care & Maintenance
- Installation instructions
- Associated Videos
- Metlam Australia Antimicrobial Product Range
- Accessibility and safety features of Metlam Australia Toilet Partition Hardware and how to use them
- Troubleshooting your Metlam Australia Toilet Partition Hardware - Hinges

*The photographs and line drawings of the products presented above are representational only.  
Metlam Australia Pty Ltd reserves the right to, and from time to time, make changes and improvements in design and dimensions.*