

SHOWER SEATS & SHOWER RELATED

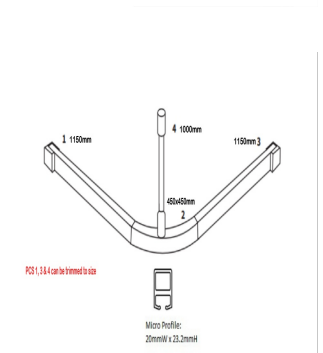


SCT_MOD1600x1600MM

1600mm x 1600mm Modular L Bend Shower Curtain Track System

Specification

Specify	SCT_MOD1600X1600MM - Micro Shower Curtain Track L Shape
Size	1600 x 1600mm - L Shape Modular Track
	Pc #1 = 1150mm
	Pc #2 = 450x450mm
	Pc #3 = 1150mm
	Pc #4 = 1000mm
Components	Anodised Aluminium Track, Anodised Aluminium Ceiling Suspension Rod, Hooks & Wall Mount Bracket
Mounting	Concealed Screw Fix
Supplied with	SCT_HOOKBAG- Spare Hook Bags suit Track SCT_SUPPORTROD- Ceiling Support Rod 1000mm suit Metlam Shower Tracks SCT_WALLBRACKET- Wall Mount Bracket for Track
Notes	*Both tracks and rods can be cut to size however, this is not available prior to shipping. *Curtains sold separately – see ML-SC Series . *Minimum size required to meet AS1428.1:2021 is 1160mm min. x 1100mm min. (supplied at 1600mm x 1600mm, can be cut back on site to suit requirements).



Downloads & Resources

- Care & Maintenance
- Installation instructions
- Associated Videos
- Keeping your Metlam Australia products looking like new

The photographs and line drawings of the products presented above are representational only. Metlam Australia Pty Ltd reserves the right to, and from time to time, make changes and improvements in design and dimensions.