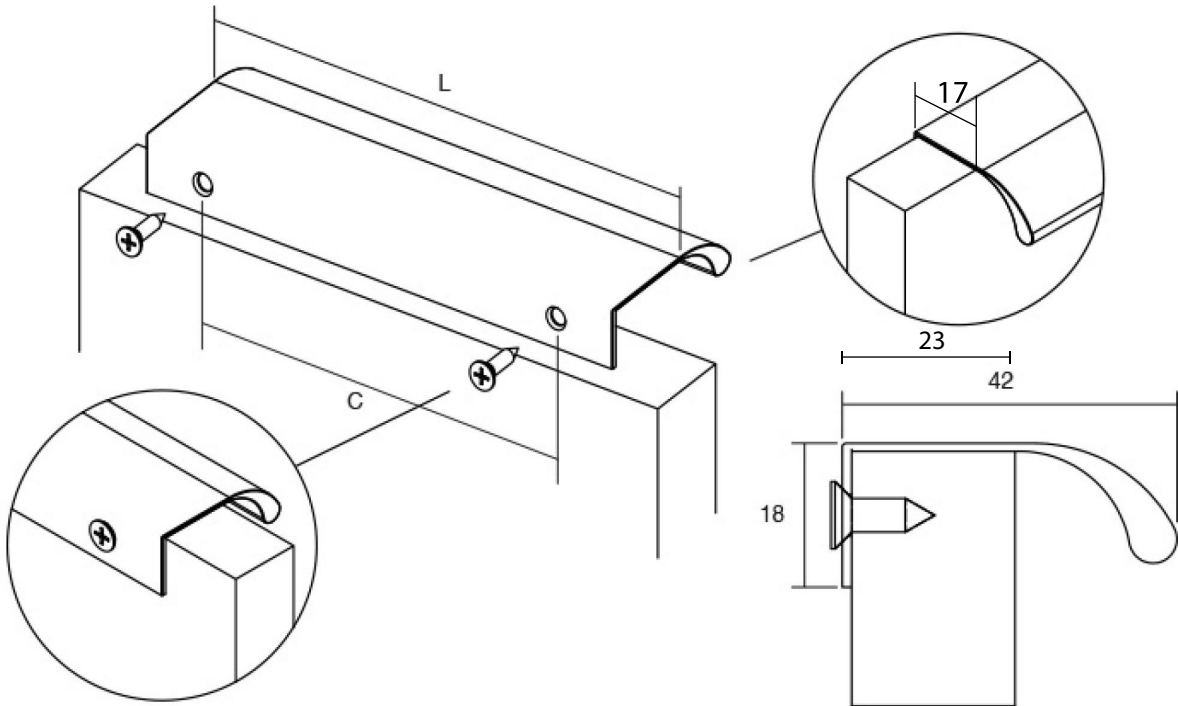


# Ona Lip Pull Range



Part no.	C mm	L mm
ON0372.032	32	50
ON0372.128	128	200
ON0372.256	256	350
ON0372.544	544	600
ON0372.1056	1056	1100

C = Hole centre measurement  
 OA = Overall size

