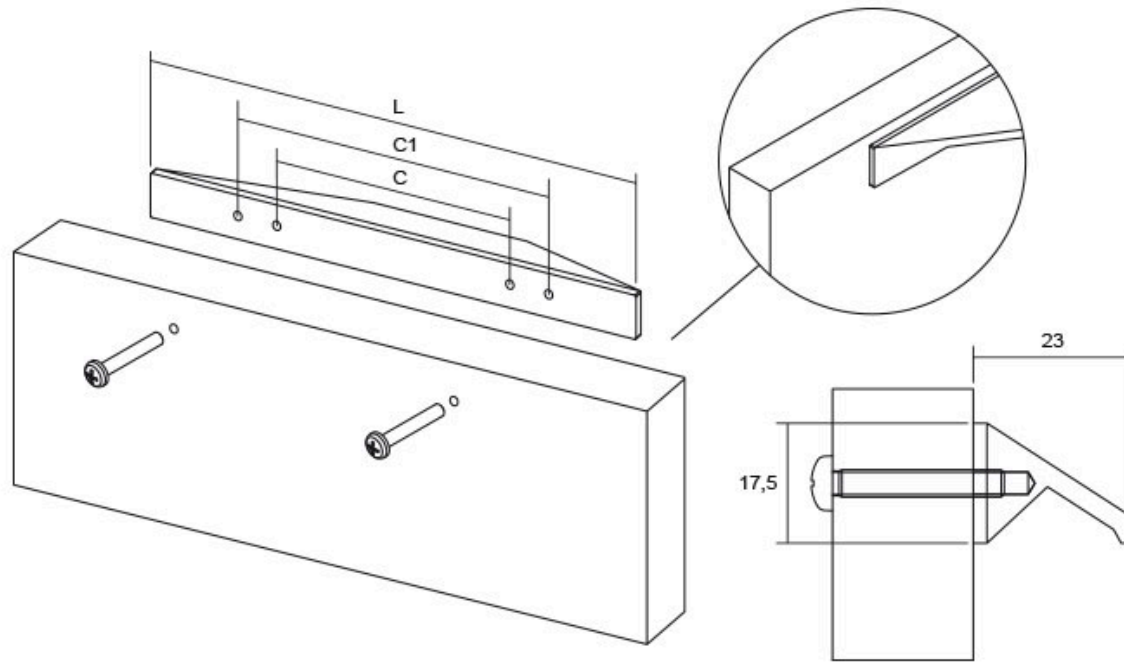


Cutt Pull Handle Range



Part no.	C mm	C 1 mm	L mm
C0322.096	96	128	200
C0322.192	192	320	400
C0322.320	320	480	600

C = Hole centre measurement
OA = Overall size