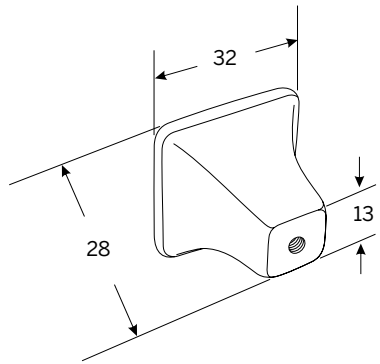
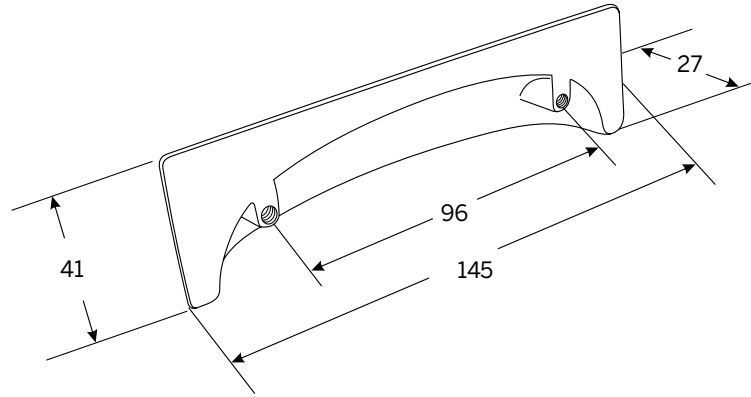


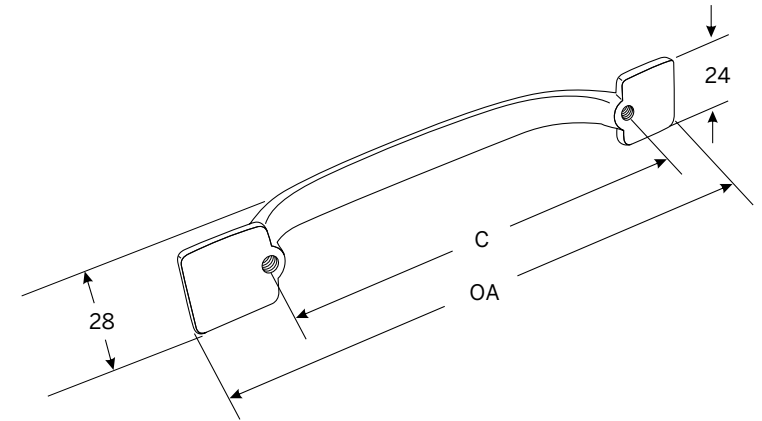
George Handle Range



Knob
Part no. KB3849.32



Cup Pull
Part no. HN3851.96



D Handle

Part no.	C mm	OA mm
HN3850.128	128	177
HN3850.224	224	268

C = Hole centre measurement
OA = Overall size