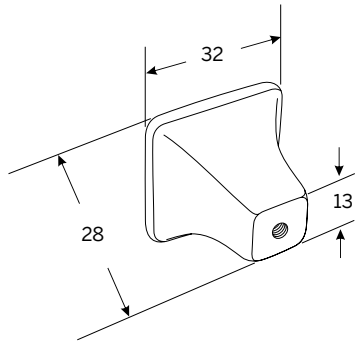
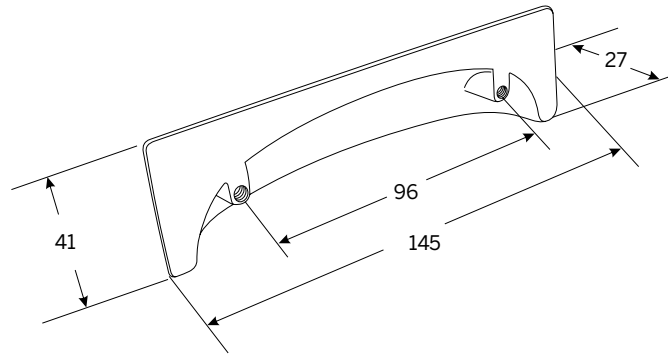


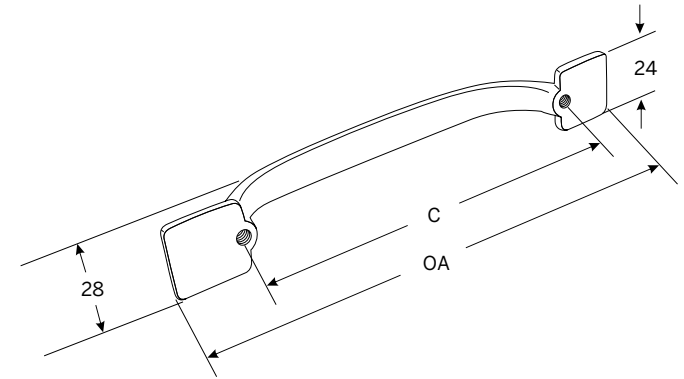
Georgia Handle Range



Knob
Part no. HMK032



Cup Pull
Part no. HMC096



D Handle

Part no.	C mm	OA mm
HN3841.128	128	177
HN3841.224	224	268

C = Hole centre measurement
OA = Overall size