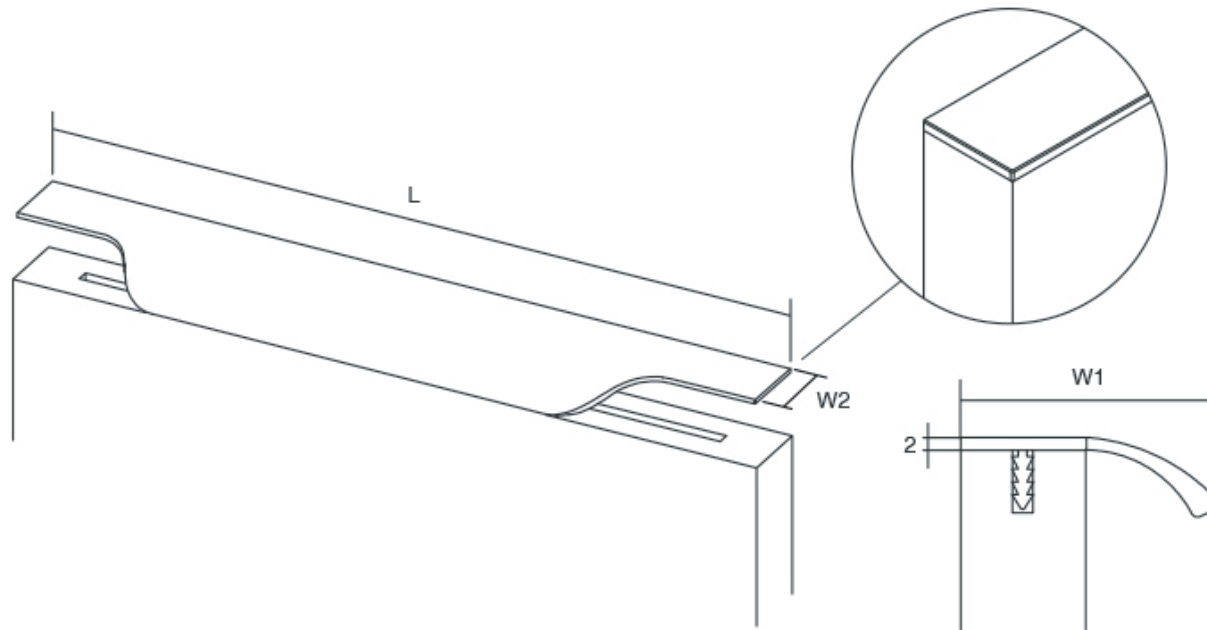


Vector Profile Handle Range



Part no.	L mm	W1 mm	W2 mm
V0434.197	197	41	19.8
V0434.297	297	41	19.8
V0434.397	397	41	19.8

C = Hole centre measurement
OA = Overall size