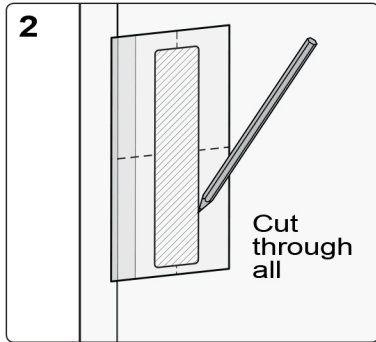
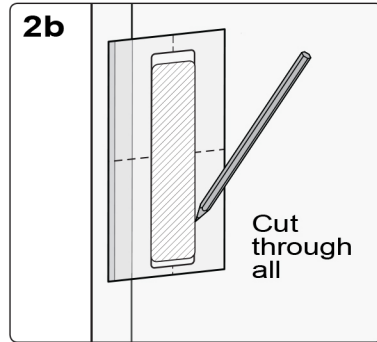


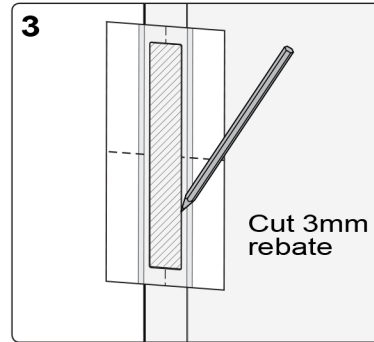
**1** Mark midline on all 3 faces of the door. Choose a height that will be comfortable for all users to reach.



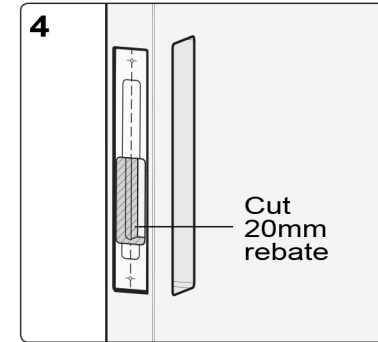
**2** Wood Cutout: Remove middle section of flush pull template and mark cutout outline. Use midline as height reference. Mark for desired backset (35 or 50/55mm). Cut through all.



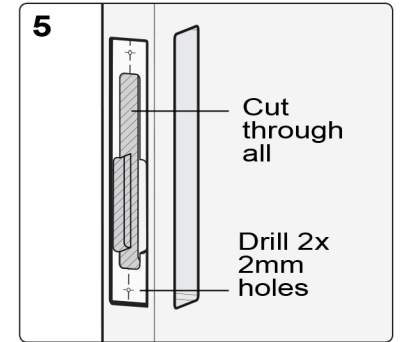
**2b** Aluminium Cutout: Match midline with template midline and position for desired backset. Mark aluminium cutout outline. Cut through all.



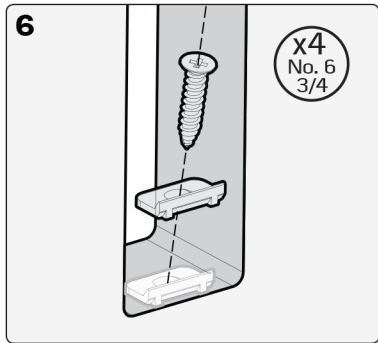
**3** Remove middle section of end pull template and mark rebate outline on end of door. Use midline as height reference. Cut 3mm rebate.



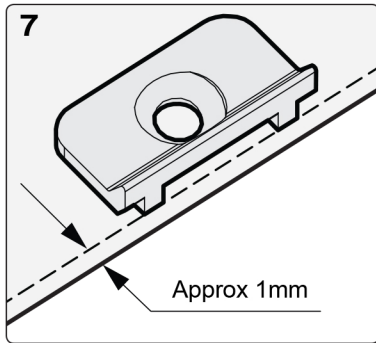
**4** Place middle section of template into rebate and mark second rebate outline. Ensure it is the correct way up. Cut 20mm rebate



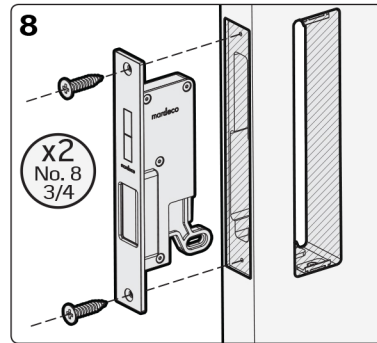
**5** Mark the third rebate outline. Cut through into flush pull cavity. Mark screw hole locations. Drill two 2mm dia holes for the screws.



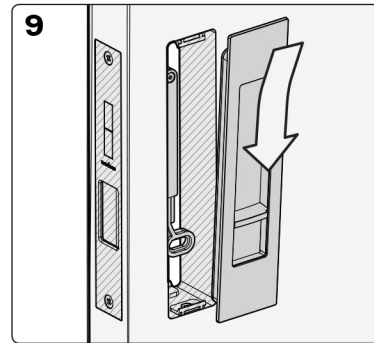
**6** For wooden doors: install two woodfix brackets at top and bottom of cutout on both sides of the door.



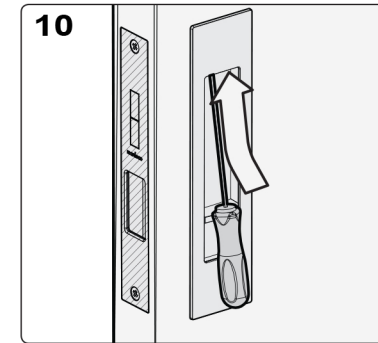
**7** Fix brackets in centre of the cutout with the ridge facing outwards. Ensure that they are approx 1mm inside the edge and do not protrude.



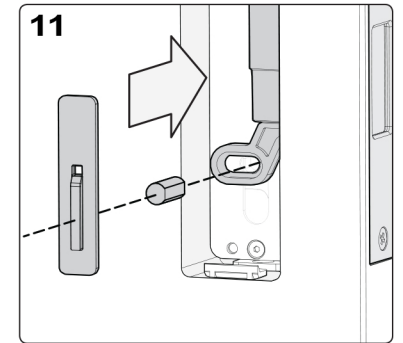
**8** Insert the Privacy Lock assembly and secure with two No.8 3/4screws. Check lock is set up for the correct backset: see instructions for changing the backset.



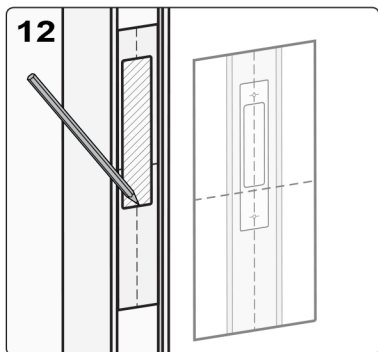
**9** Insert the flush pull with the slide lock into cavity on the chosen side of the door. Push in and down so it grips onto the bottom bracket or edge.



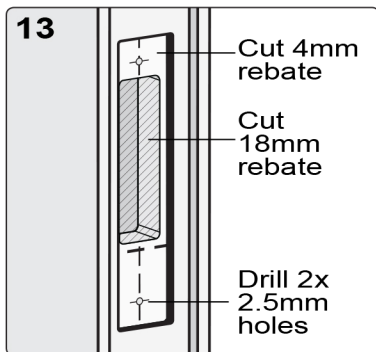
**10** Use Mardeco hex tool to tighten grub screw inside top of flush pull. Ensure it is fitted firmly.



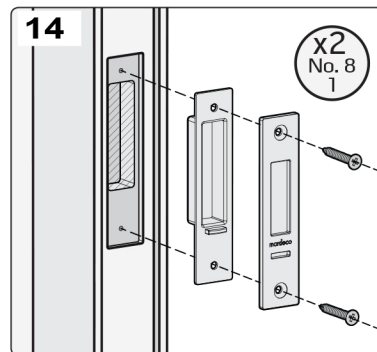
**11** Insert spindle and emergency slide into the back of the lock slide. Choose the correct length spindle to suit your door thickness. Repeat steps 9 and 10 for installing the second flush pull.



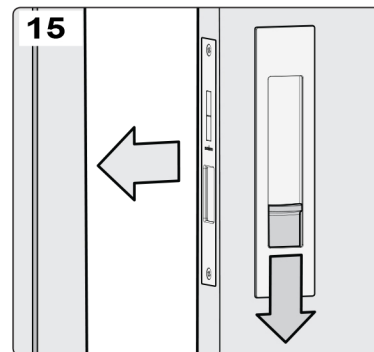
**12** Remove middle section of striker plate template and mark outline for rebate. Use midline as height reference and ensure it lines up with the door. Cut a 4 mm rebate.



**13** Place middle section of template into rebate and mark second rebate outline. Ensure it is the correct way up. Cut 18mm rebate. Mark screw holes and drill two 2mm holes 15mm deep.



**14** Insert striker plate assembly and secure with two No.8 1 screws.



**15** Test that everything works well and make any necessary adjustments. Enjoy using your new M Series Privacy Set.

Mardeco International Ltd.  
PO Box 131  
Whangaparaoa 0943  
Auckland, New Zealand  
Phone: +64 (0) 9 428 0658  
Email: [info@mardeco.co.nz](mailto:info@mardeco.co.nz)  
Web: [www.mardeco.co.nz](http://www.mardeco.co.nz)

**mardeco**<sup>®</sup>  
international ltd  
*we handle the best*

07 2022 Warranty Statement for Mardeco Kitchen & Cabinet Hardware, Mardeco M-Series and Mardeco S-Line Handrail Brackets.

**10-year GUARANTEE\*:**

The product you have purchased is one of the best you can find on the market.

Mardeco International Ltd. warrants that its products will be free from defects in workmanship and materials for a period of 10 year from the date of purchase subject to the limitations\* below.

If there should be problems with our hardware products, such as defects in material or workmanship, Mardeco International Ltd. will replace the effective product with a new one. To avoid any misunderstanding, we would like to specify that Mardeco International Ltd. only replaces the product and does not cover the cost of removal of the defective product nor its installation.

The warranty of Mardeco International Ltd. does not cover those items which have been incorrectly installed or used for purposes other than that for which they are intended. The item in question should first be returned to our Office/Warehouse or inspected on site by our appointed representative for verification of the fault. With the defective product you should enclose a letter explaining the defect shown by our product Mardeco International Ltd. reserves the right to alter or remove a product, finish or change specification without notice.

This guarantee is in addition to the rights and remedies available to the “Consumer” as defined in the CONSUMER GUARANTEES ACT.

**\*LIMITATIONS:**

Our guarantee specifically excludes the following:

- Electroplated finishes on the products can deteriorate or discolour over time due to climactic conditions and so the warranty for electroplated finishes is limited to **24 months** from the date of purchase.
- Damage caused by accident
- Incorrect Installation
- Neglect
- Fair wear and tear
- Tarnishing or deterioration of the decorative finish
- Rubber items from perishing

## SPECIAL PRODUCTS:

All products imported or manufactured at the customer requests which are Non-standard in design, size or finish will NOT be accepted for return except where such product is faulty in workmanship or specification. On acceptance of your order no cancellation of your order will be allowed if manufacturing has started, or materials/products ordered.

## MARINE:

These products have NOT been designed specifically for marine applications and as such it is incumbent on the purchaser to ensure their suitability.